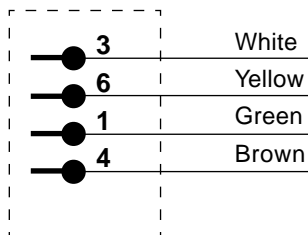


PS-420/440 BP cable

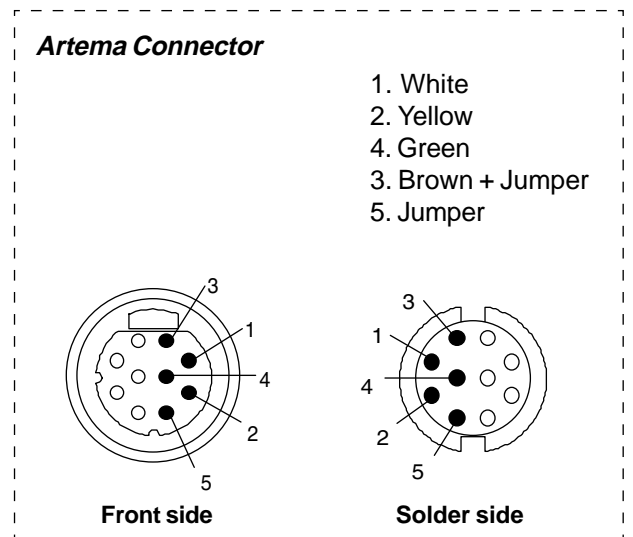
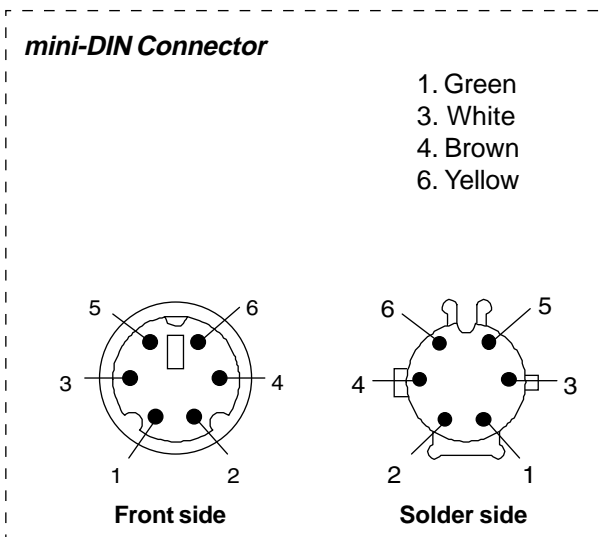
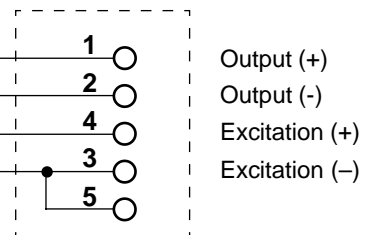
Monitor type: Artema (S&W)



mini-DIN Connector



Artema Monitor Connector



Order no.: 17399

Component list:

mini-DIN Connector: male, 6 pole, black
 Monitor Connector: Nicolay 117800.2
 Cable: LIYY 6 x 0.14 mm², 1.75 m, grey

Metron AS
 Vegamot 8
 N-7048 Trondheim, NORWAY
 Phone: +47 73 95 47 00
 Fax: +47 73 95 47 01
 E-mail: support@metron.no

METRON AS Norway	DESCRIPTION PS-420/440 - Artema (S&W) BP cable	
	DRAW CAT. Schematic diagram	
	DRAW NO. -	
PRODUCT BP cable	DATE 25.01.2003	PAGE 1 of 1

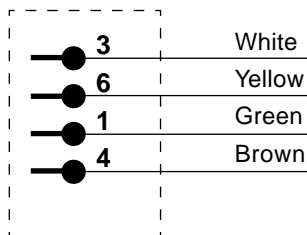
PS-420/440 BP cable

Monitor type: HP-4

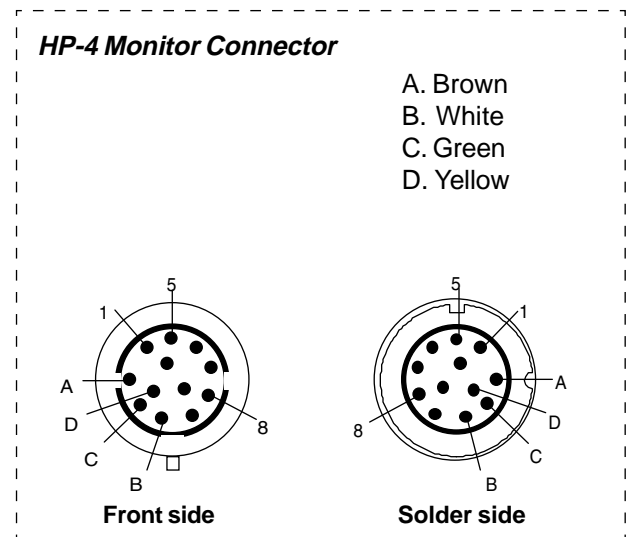
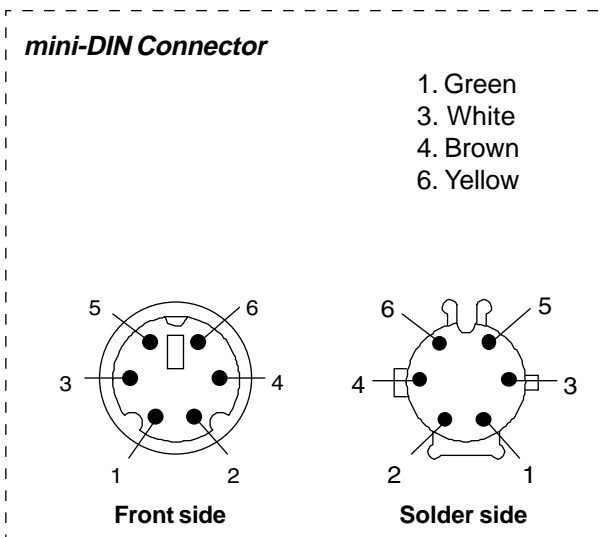
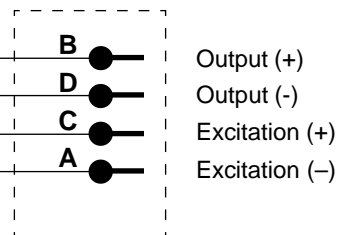
Hewlett Packard – 78-300, -500, -800, Merlin (12 pin 40 μV)



mini-DIN
Connector



HP-4
Monitor Connector



Order no.: 17403

Component list:

mini-DIN Connector: male, 6 pole, black
 Monitor Connector: ITT Cannon 1251-4953 dark red
 Cable sleeve: 120600 Skindicht - SNR 7/5
 Cable: LIYY 6 x 0.14 mm², 1.75 m, grey

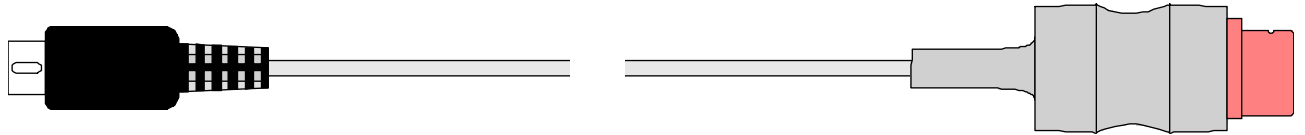
Metron AS
 Vegamot 8
 N-7048 Trondheim, NORWAY
 Phone: +47 73 95 47 00
 Fax: +47 73 95 47 01
 E-mail: support@metron.no

METRON AS Norway	DESCRIPTION	PS-420/440 - HP-4 BP cable	
	DRAW CAT.	Schematic diagram	
	DRAW NO.	-	
PRODUCT	DATE	PAGE	
PS-420/440	28.07.2004	1 of 1	

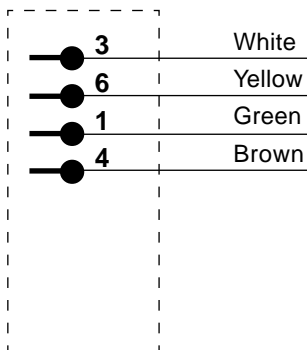
PS-420/440 BP cable

Monitor type: SM-1

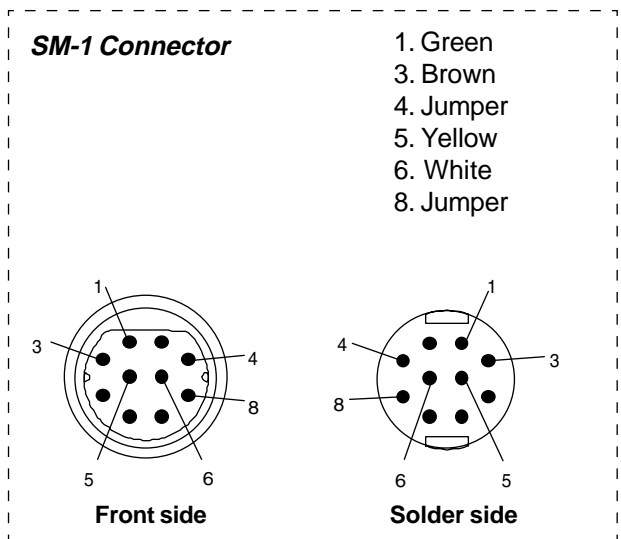
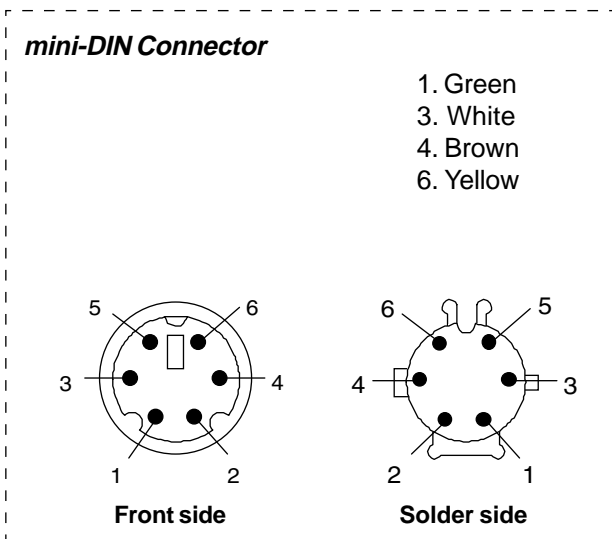
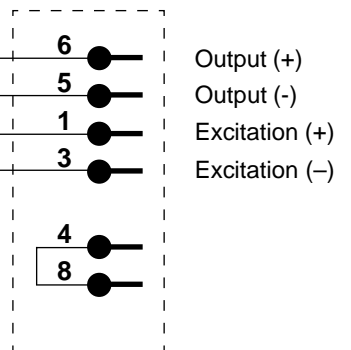
Siemens – Sirecust Series



mini-DIN Connector



SM-1 Monitor Connector



Order no.: 17406

Component list:

mini-DIN Connector: male, 6 pole, black
 Monitor Connector: KT-032A
 Cable: LIYY 6 x 0.14 mm², 1.75 m, grey

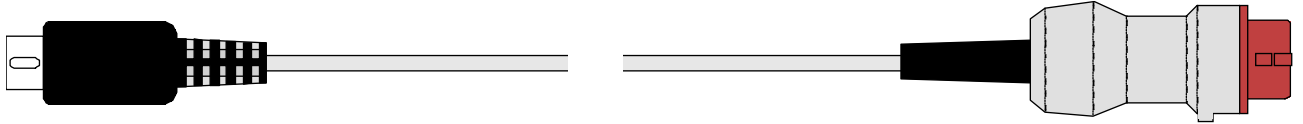
Metron AS
 Vegamot 8
 N-7048 Trondheim, NORWAY
 Phone: +47 73 95 47 00
 Fax: +47 73 95 47 01
 E-mail: support@metron.no

METRON AS Norway	DESCRIPTION PS-420/440 - SM-1 BP cable	
	DRAW CAT. Schematic diagram	
	DRAW NO. -	
PRODUCT BP cable	DATE 28.07.2004	PAGE 1 of 1

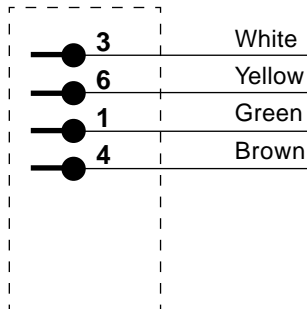
PS-420/440 BP cable

Monitor type: HP-3

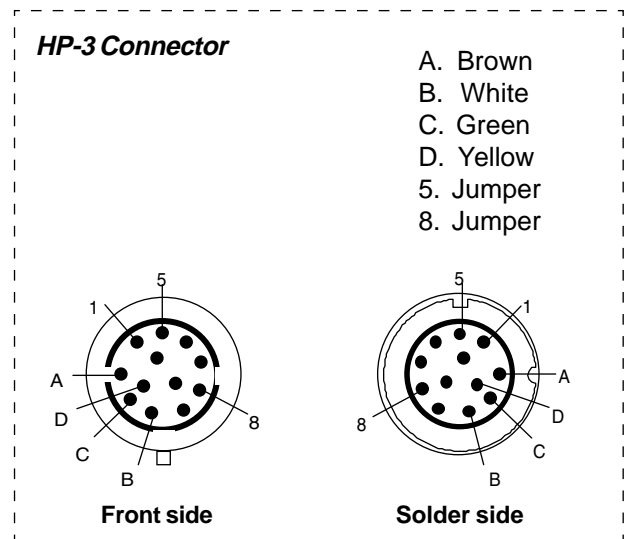
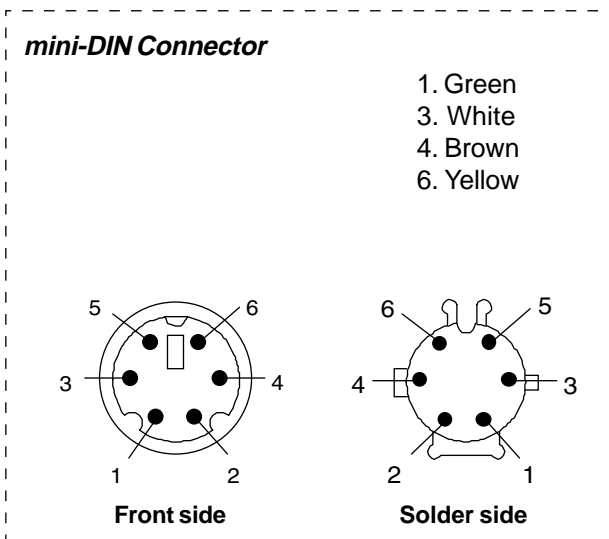
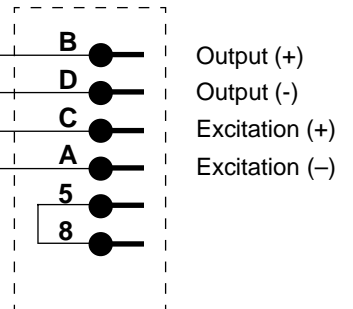
Hewlett Packard – 78-300, -500, -800 Merlin (12 pin 5 μV)



mini-DIN Connector



HP-3 Monitor Connector



Order no.: 17417

Component list:

- mini-DIN Connector: male, 6 pole, black
- Monitor Connector: ITT Cannon 1251-4953 dark red
- Cable sleeve: 120600 Skindicht - SNR 7/5
- Cable: LIYY 6 x 0.14 mm², 1.75 m, grey

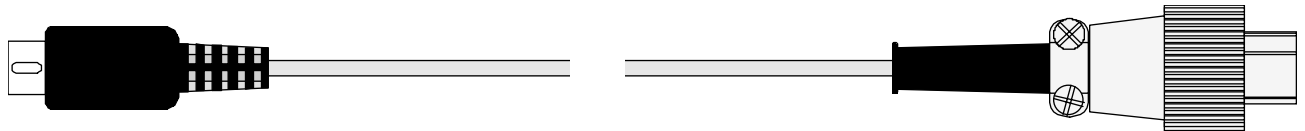
Metron AS
 Vegamot 8
 N-7048 Trondheim, NORWAY
 Phone: +47 73 95 47 00
 Fax: +47 73 95 47 01
 E-mail: support@metron.no

METRON AS Norway	DESCRIPTION	PS-420/440 - HP-3 BP cable	
	DRAW CAT.	Schematic diagram	
	DRAW NO.	-	
PRODUCT	DATE	PAGE	
PS-420/440	27.08.2001	1 of 1	

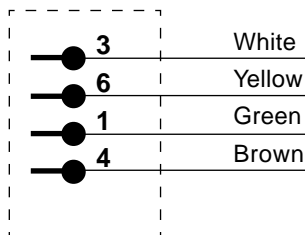
PS-420/440 BP cable

Monitor type: NK-1

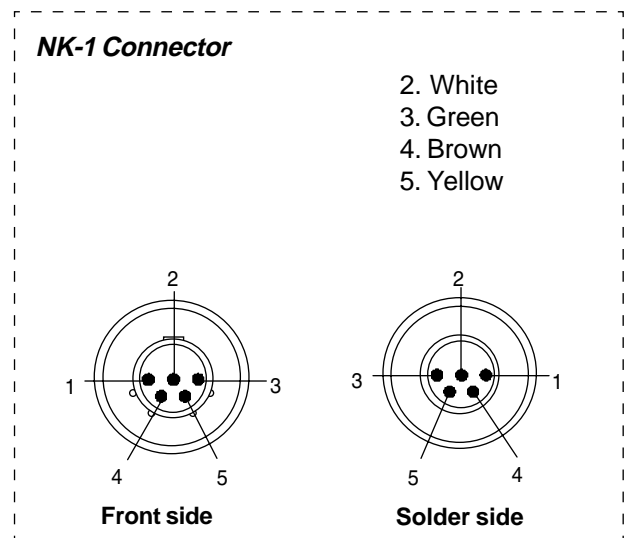
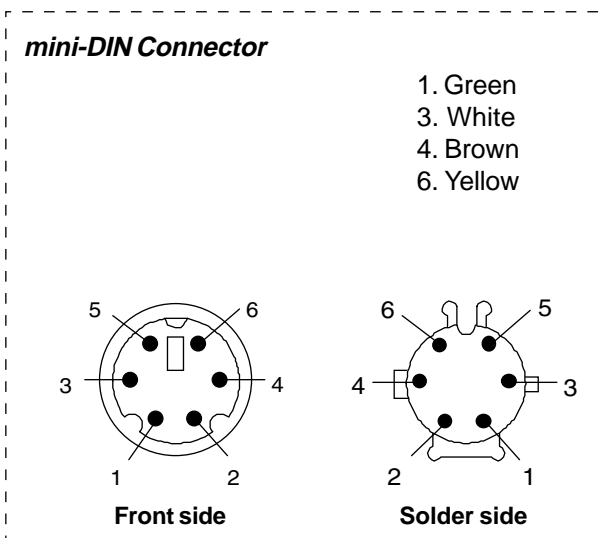
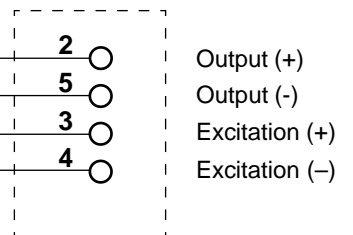
Nihon Kohden – All



mini-DIN
Connector



NK-1
Monitor Connector



Order no.: 17429

Component list:

mini-DIN Connector: male, 6 pole, black
 Monitor Connector: Audio, 5 pole, type 454-003
 Lev.: JH
 Cable boot: for audio connector
 Cable: LIYY 6 x 0.14 mm², 1.75 m, grey

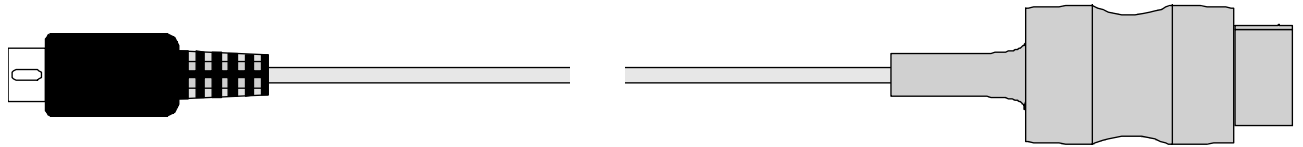
Metron AS
 Vegamot 8
 N-7048 Trondheim, NORWAY
 Phone: +47 73 95 47 00
 Fax: +47 73 95 47 01
 E-mail: support@metron.no

METRON AS Norway	DESCRIPTION PS-420/440 - NK-1 BP cable	
	DRAW CAT. Schematic diagram	
	DRAW NO. -	
PRODUCT BP cable	DATE 28.07.2004	PAGE 1 of 1

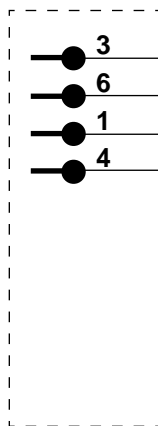
PS-420/440 BP cable

Monitor type: PC-1

Medical Data Electronics – Escort Series

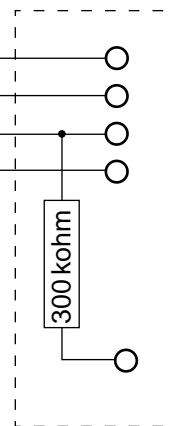


mini-DIN Connector

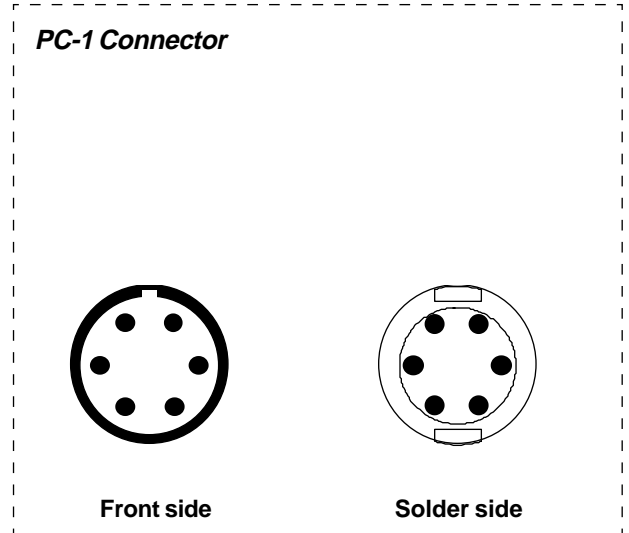
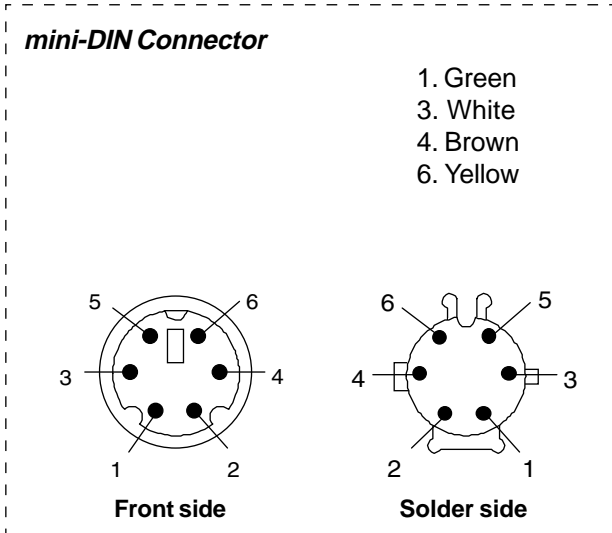


3 White
6 Yellow
1 Green
4 Brown

PC-1 Monitor Connector



Output (+)
Output (-)
Excitation (+)
Excitation (-)



Order no.: 17432

Component list:

mini-DIN Connector: male, 6 pole, black
 Monitor Connector:
 Cable: LIYY 6 x 0.14 mm², 1.75 m, grey
 Resistor: 300 kohm 1%

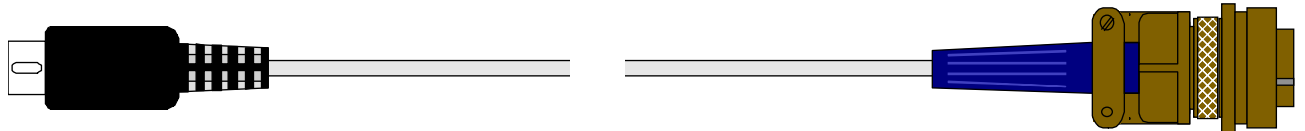
Metron AS
 Vegamot 8
 N-7048 Trondheim, NORWAY
 Phone: +47 73 95 47 00
 Fax: +47 73 95 47 01
 E-mail: support@metron.no

METRON AS Norway	DESCRIPTION PS-420/440 - PC-1 BP cable	
	DRAW CAT. Schematic diagram	
	DRAW NO. -	
PRODUCT BP cable	DATE 10.09.2001	PAGE 1 of 1

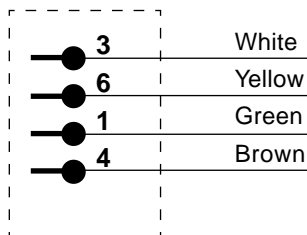
PS-420/440 BP cable

Monitor type: HP-2

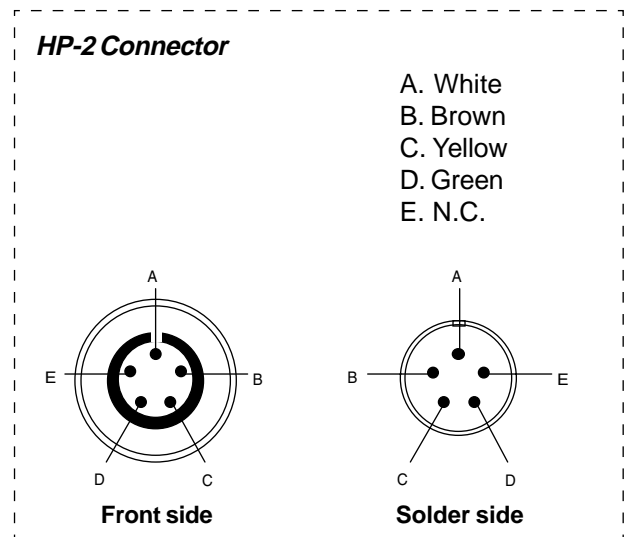
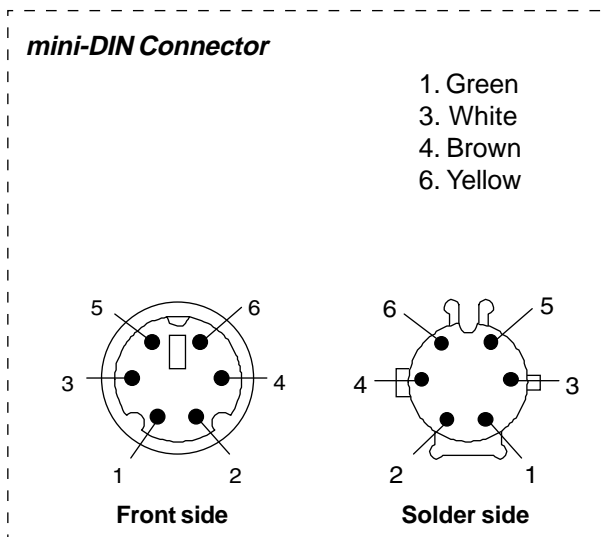
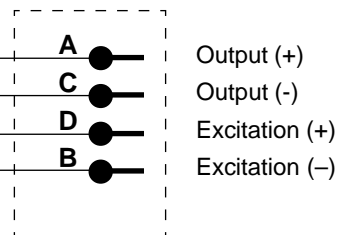
Hewlett Packard – 7809 (5 pin)



mini-DIN
Connector



HP-2
Monitor Connector



Order no.: 17433

Component list:

mini-DIN Connector: male, 6 pole, black
 Monitor Connector: M85049/41-6A (KT-005A)
 Cable: LIYY 6 x 0.14 mm², 1.75 m, grey

Metron AS
 Vegamot 8
 N-7048 Trondheim, NORWAY
 Phone: +47 73 95 47 00
 Fax: +47 73 95 47 01
 E-mail: support@metron.no

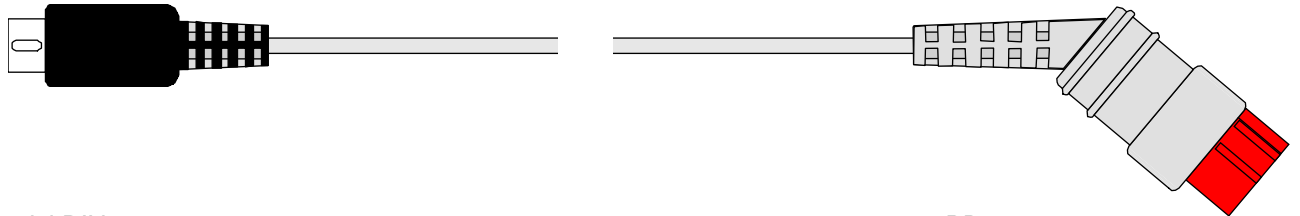
METRON AS Norway	DESCRIPTION PS-420/440 - HP-2 BP cable	
	DRAW CAT. Schematic diagram	
	DRAW NO. -	
PRODUCT BP cable	DATE 28.07.2004	PAGE 1 of 1

PS-420/440 BP cable

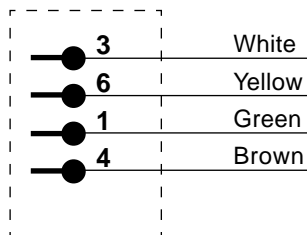
Monitor type: PB-2

Datex – Cardiocap

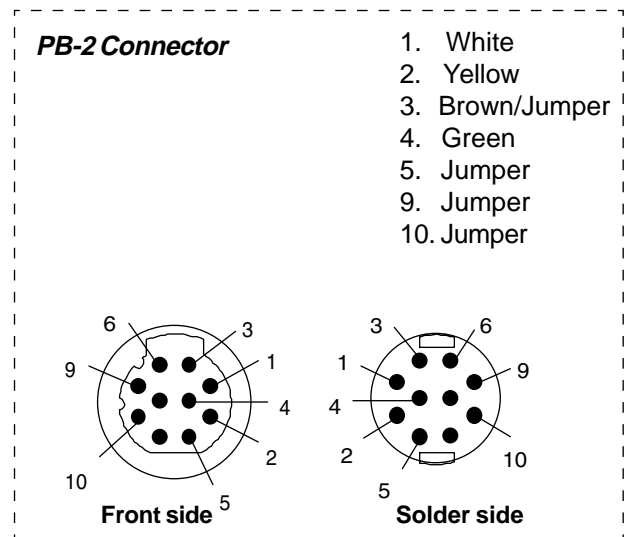
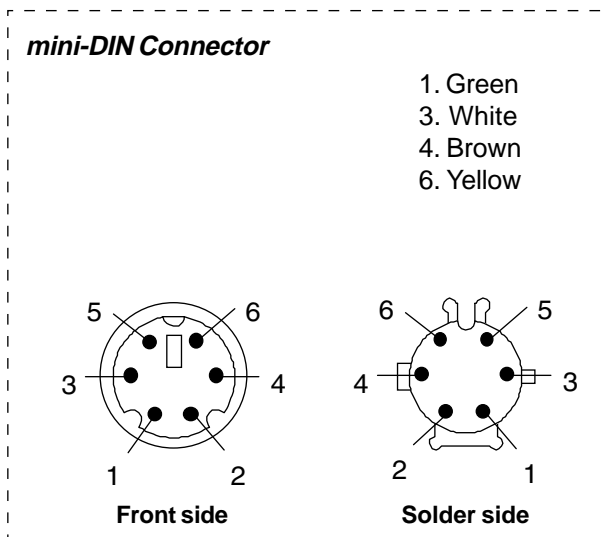
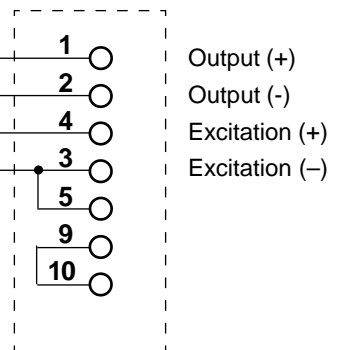
Puritan Bennett – PB-240



mini-DIN Connector



PB-2 Monitor Connector



Order no.: 17434

Component list:

mini-DIN Connector: male, 6 pole, black

Monitor Connector: KT-012B

Cable: LIYY 6 x 0.14 mm², 1.75 m, grey

Metron AS

Vegamot 8
N-7048 Trondheim, NORWAY

Phone: +47 73 95 47 00

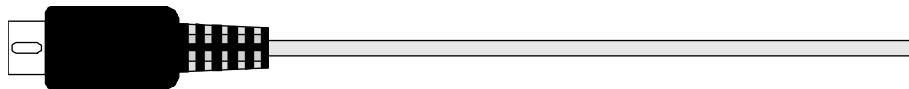
Fax: +47 73 95 47 01

E-mail: support@metron.no

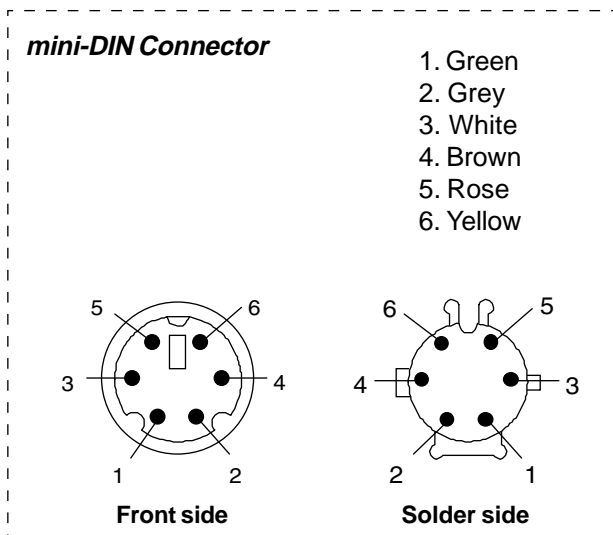
METRON AS Norway	DESCRIPTION PS-420/440 - PB-2 BP cable	
	DRAW CAT. Schematic diagram	
	DRAW NO. -	
PRODUCT BP cable	DATE 13.10.2001	PAGE 1 of 1

PS-420/440 Universal Blood Pressure cable

Unterminated



mini-DIN
Connector



Order no.: 17440

Component list:

mini-DIN Connector: male, 6 pole, black
Cable: LIYY 6 x 0.14 mm², 1.75 m, grey

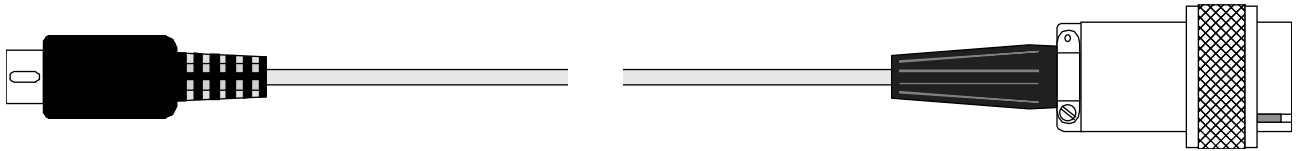
Metron AS
Vegamot 8
N-7048 Trondheim, NORWAY
Phone: +47 73 95 47 00
Fax: +47 73 95 47 01
E-mail: support@metron.no

METRON AS Norway	DESCRIPTION PS-420/440 BP cable unterminated	
	DRAW CAT. Schematic diagram	
	DRAW NO. -	
PRODUCT BP cable	DATE 23.11.2001	PAGE 1 of 1

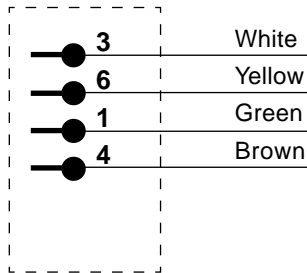
PS-420/440 BP cable

Monitor type: HP-1

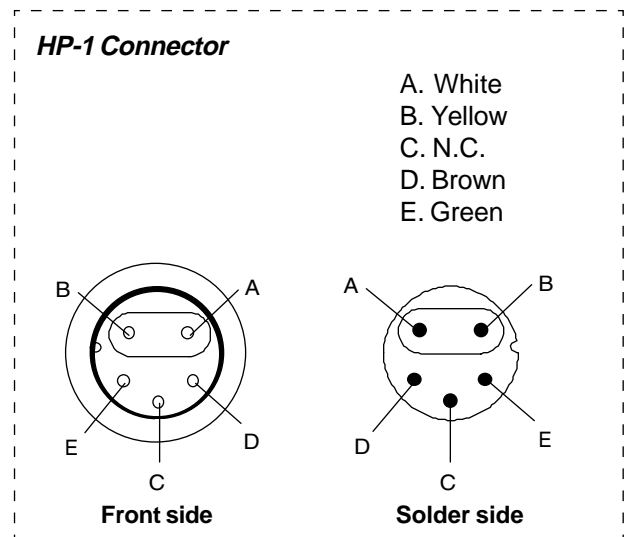
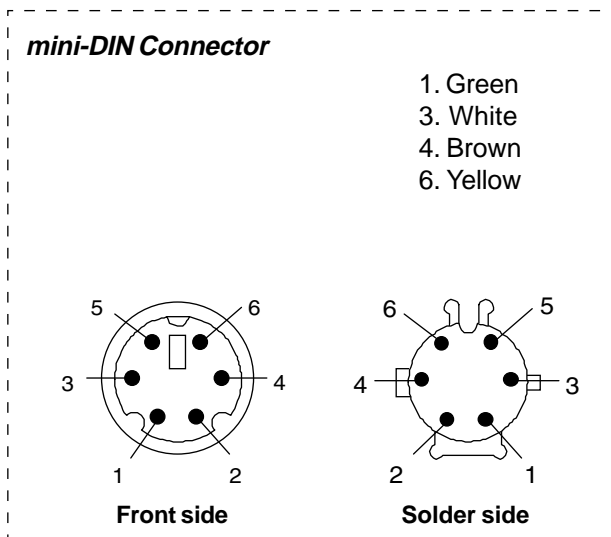
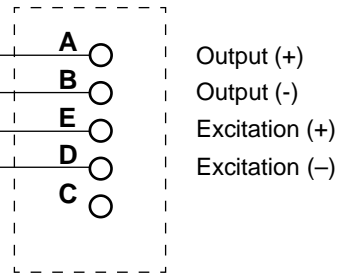
Hewlett Packard – 78200 (Twinax)



mini-DIN
Connector



HP-1
Monitor Connector



Order no.: 17456

Component list:

mini-DIN Connector: male, 6 pole, black
 Monitor Connector: female, 5 pole
 Cable: LIYY 6 x 0.14 mm², 1.75 m, grey

Metron AS
 Vegamot 8
 N-7048 Trondheim, NORWAY
 Phone: +47 73 95 47 00
 Fax: +47 73 95 47 01
 E-mail: support@metron.no

METRON AS Norway	DESCRIPTION PS-420/440 - HP-1 BP cable	
	DRAW CAT. Schematic diagram	
	DRAW NO. -	
PRODUCT BP cable	DATE 28.07.2004	PAGE 1 of 1

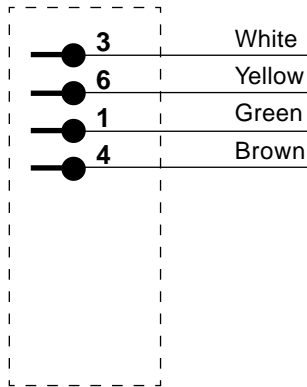
PS-420/440 BP cable

Monitor type: HP-8

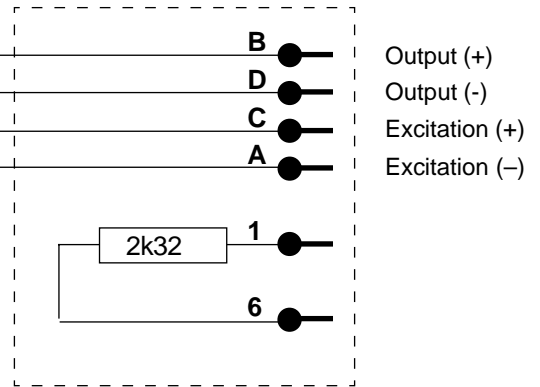
Hewlett Packard – 8040A, M1350A (12 pin 40 µV) (IUP)



mini-DIN Connector

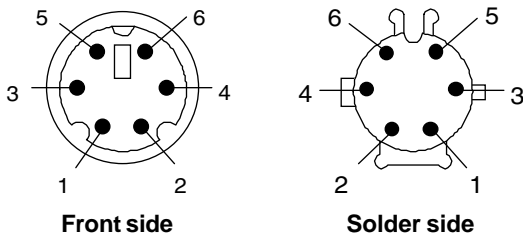


HP-8 Monitor Connector



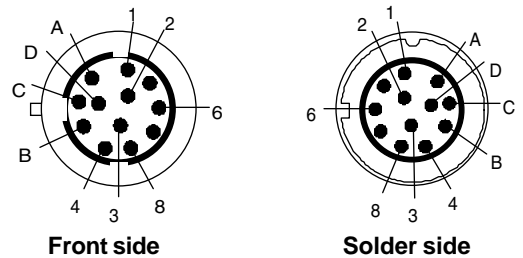
mini-DIN Connector

- 1. Green
- 3. White
- 4. Brown
- 6. Yellow



HP-8 Connector

- A. Brown
- B. White
- C. Green
- D. Yellow
- 1. Resistor
- 6. Resistor



Order no.: 17457

Component list:

mini-DIN Connector: male, 6 pole, black
 Monitor Connector: ITT Cannon 1251-6887 brown
 Cable: LIYY 6 x 0.14 mm², 1.75 m, grey
 Cable sleeve: 120600 Skindicht - SNR 7/5
 Resistor: 2k32 1%

Metron AS

Vegamot 8
 N-7048 Trondheim, NORWAY
 Phone: +47 73 95 47 00
 Fax: +47 73 95 47 01
 E-mail: support@metron.no

METRON AS Norway	DESCRIPTION PS-420/440 - HP-8 BP cable	
	DRAW CAT. Schematic diagram	
	DRAW NO. -	
PRODUCT BP cable	DATE 28.07.2004	PAGE 1 of 1

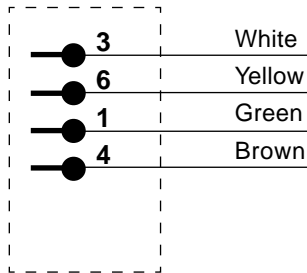
PS-420/440 BP cable

Monitor type: LT-1

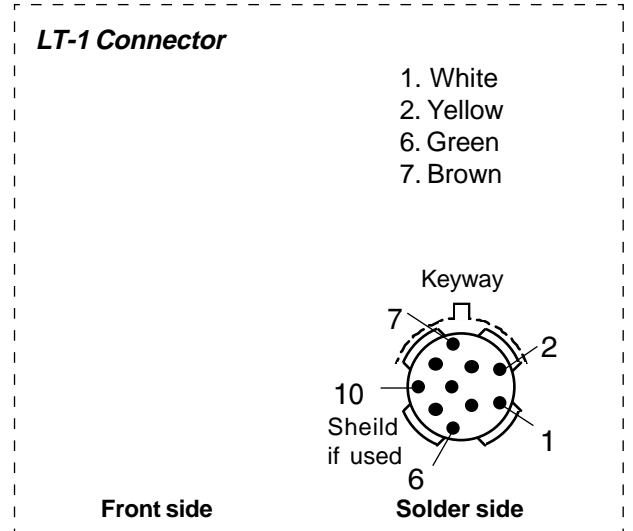
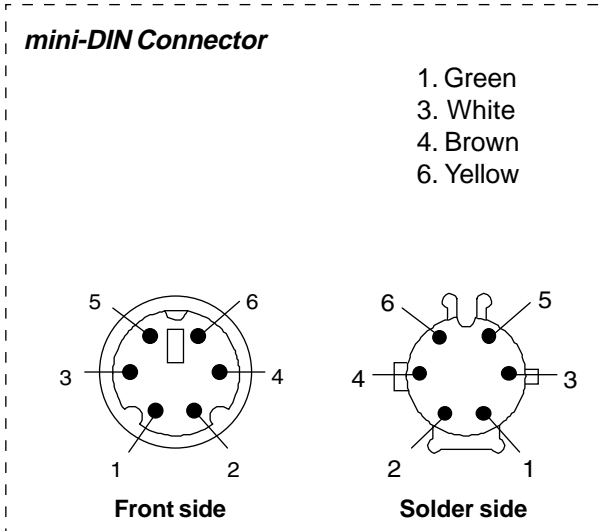
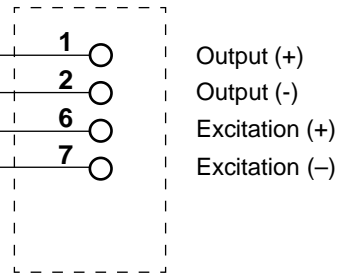
Advanced Medical Systems – FM 660, FM 670 (IUP)
Airshields – Fetascan 1400 (IUP)



mini-DIN
Connector



LT-1
Monitor Connector



Order no.: 17459

Component list:

mini-DIN Connector: male, 6 pole, black
Monitor Connector:
Spiral cable: LIYY 6 x 0.14 mm², 1.75 m, grey

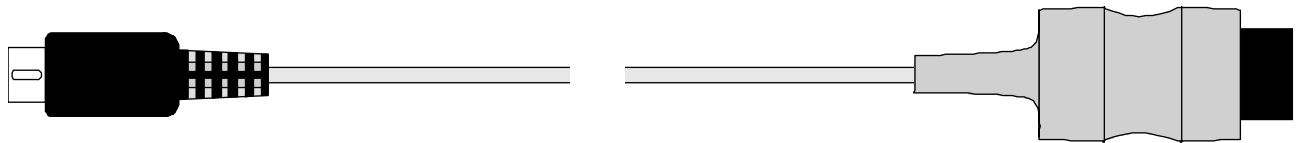
Metron AS
Vegamot 8
N-7048 Trondheim, NORWAY
Phone: +47 73 95 47 00
Fax: +47 73 95 47 01
E-mail: support@metron.no

METRON AS Norway	DESCRIPTION PS-420/440 - LT-1 BP cable	
	DRAW CAT. Schematic diagram	
	DRAW NO. -	
PRODUCT BP cable	DATE 27.08.2001	PAGE 1 of 1

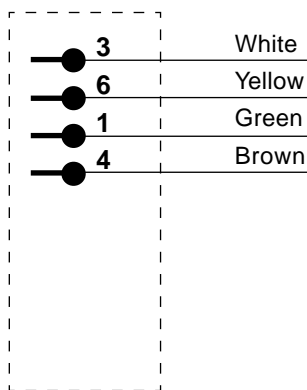
PS-420/440 BP cable

Monitor type: TK-1

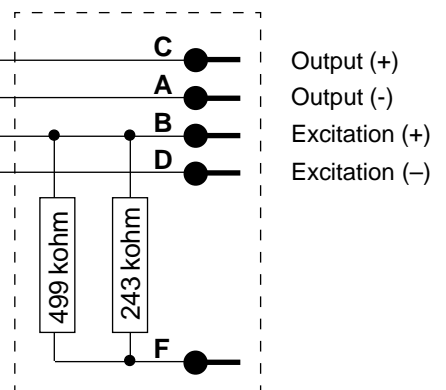
Criticare Systems, Inc. - 1100 / Criticon - 8700 / Invivo Research - Omni-Trak / Ivy Biomedical - All /
 North American Dräger - Vitalert 2000 / Protocol Series - Propaq Series 100 / Spacelabs - 400/5008600PCMS /
 90-300, -600, -700, PC-Express



mini-DIN Connector

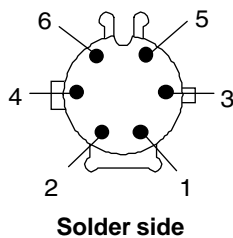
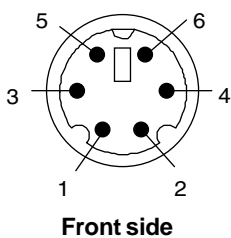


TK-1 Monitor Connector



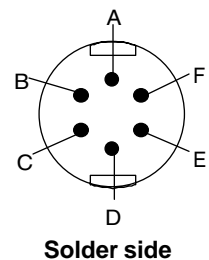
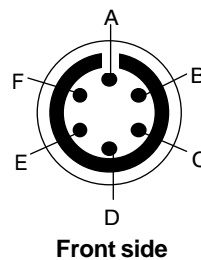
mini-DIN Connector

- 1. Green
- 3. White
- 4. Brown
- 6. Yellow



TK-1 Connector

- A. Yellow
- B. Green + Resistors
- C. White
- D. Brown
- F. Resistors



Order no.: 17460

Component list:

mini-DIN Connector: male, 6 pole, black
 Monitor Connector: KT-002A
 Cable: LIYY 6 x 0.14 mm², 1.75 m, grey
 Resistor: 243 kohm 1%
 Resistor: 499 kohm 1%

Metron AS

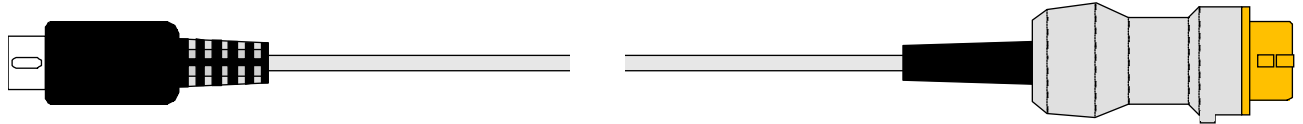
Vegamot 8
 N-7048 Trondheim, NORWAY
 Phone: +47 73 95 47 00
 Fax: +47 73 95 47 01
 E-mail: support@metron.no

METRON AS Norway	DESCRIPTION PS-420/440 - TK-1 BP cable	
	DRAW CAT. Schematic diagram	
	DRAW NO. -	
PRODUCT BP cable	DATE 21.01.2002	PAGE 1 of 1

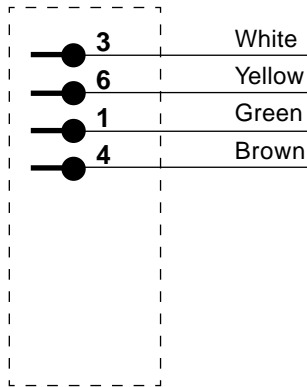
PS-420/440 BP cable

Monitor type: HP-9

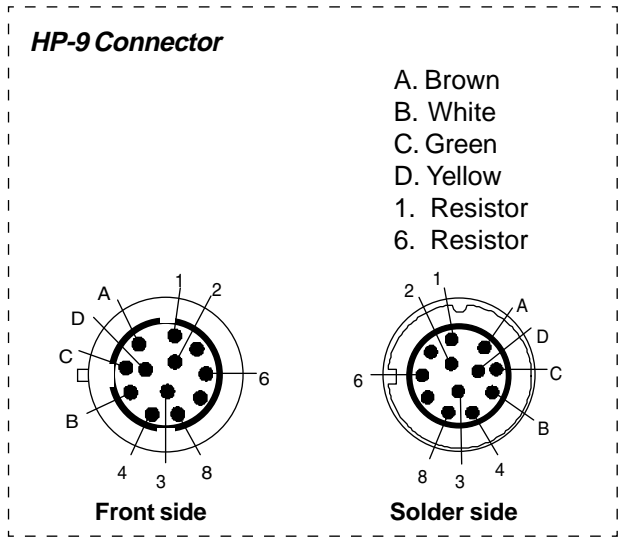
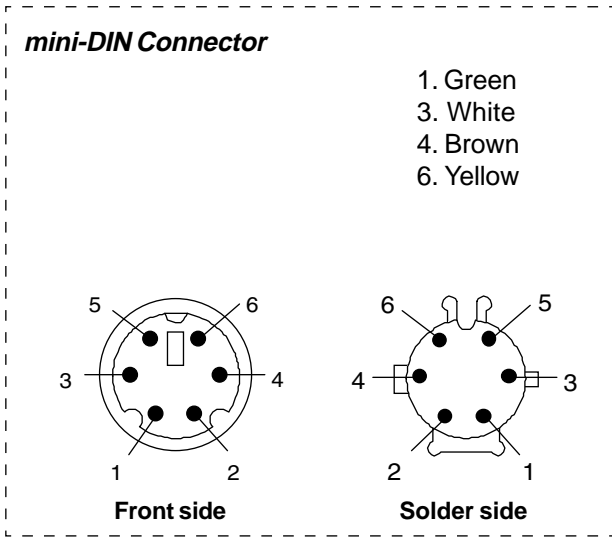
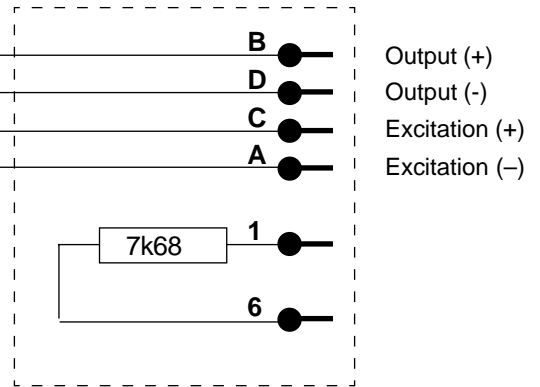
Hewlett Packard – 8040A, M1350A (12 pin 5 μV) (IUP)



mini-DIN Connector



HP-9 Monitor Connector



Order no.: 17461

Component list:

- mini-DIN Connector: male, 6 pole, black
- Monitor Connector: ITT Cannon 1251-6887 brown
- Cable: LIYY 6 x 0.14 mm², 1.75 m, grey
- Cable sleeve: 120600 Skindicht - SNR 7/5
- Resistor: 7k68 1%

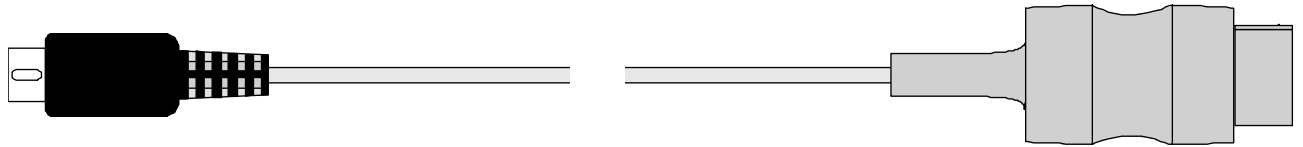
Metron AS
 Vegamot 8
 N-7048 Trondheim, NORWAY
 Phone: +47 73 95 47 00
 Fax: +47 73 95 47 01
 E-mail: support@metron.no

METRON AS Norway	DESCRIPTION PS-420/440 - HP-9 BP cable	
	DRAW CAT. Schematic diagram	
	DRAW NO. -	
PRODUCT BP cable	DATE 28.07.2004	PAGE 1 of 1

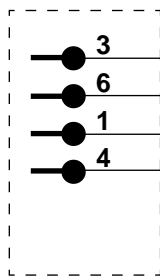
PS-420/440 BP cable

Monitor type: KT-1

Kontron Medical – Micromon, Minimon, Supermon, Kolormon Series

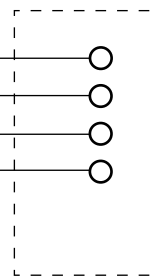


mini-DIN Connector

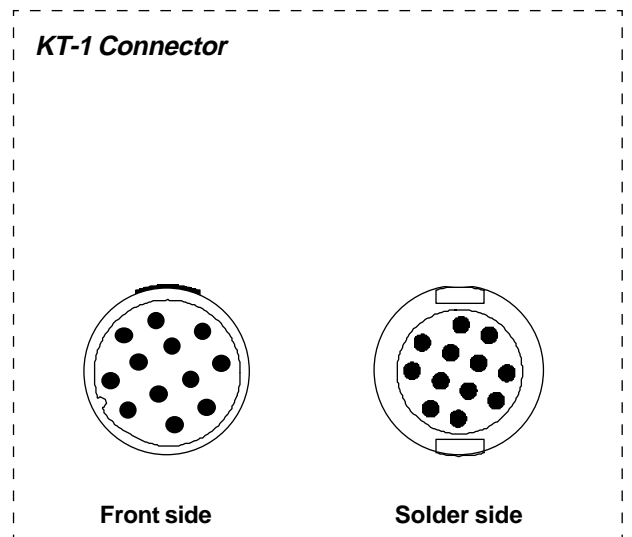
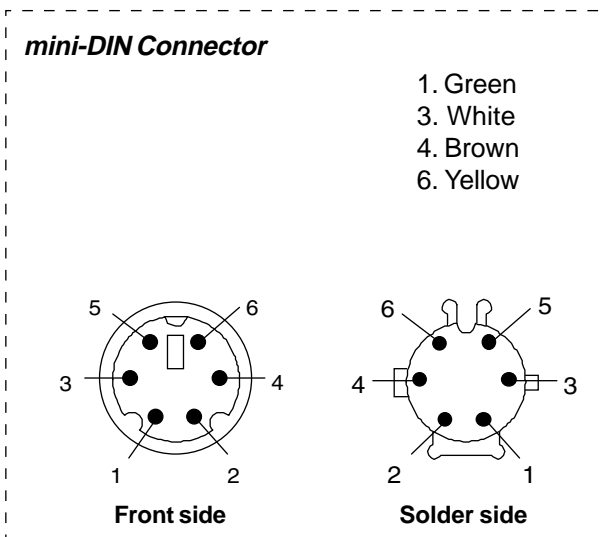


3 White
6 Yellow
1 Green
4 Brown

KT-1 Monitor Connector



Output (+)
Output (-)
Excitation (+)
Excitation (-)



Order no.: 17462

Component list:

mini-DIN Connector: male, 6 pole, black
 Monitor Connector: KT-014B
 Cable: LIYY 6 x 0.14 mm², 1.75 m, grey

Metron AS
 Vegamot 8
 N-7048 Trondheim, NORWAY
 Phone: +47 73 95 47 00
 Fax: +47 73 95 47 01
 E-mail: support@metron.no

METRON AS Norway	DESCRIPTION PS-420/440 - KT-1 BP cable	
	DRAW CAT. Schematic diagram	
	DRAW NO. -	
PRODUCT BP cable	DATE 10.09.2001	PAGE 1 of 1

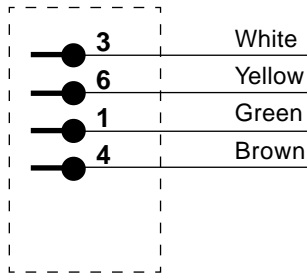
PS-420/440 BP cable

Monitor type: GE-2

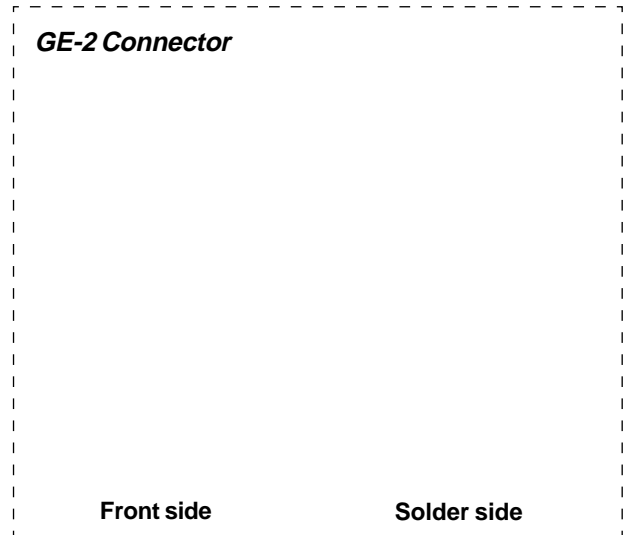
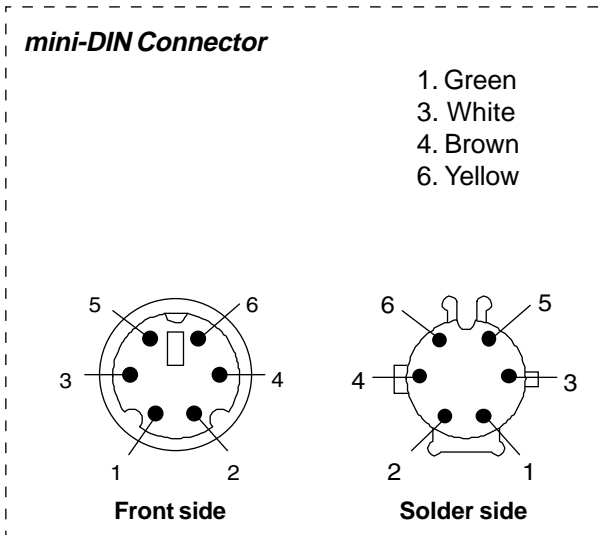
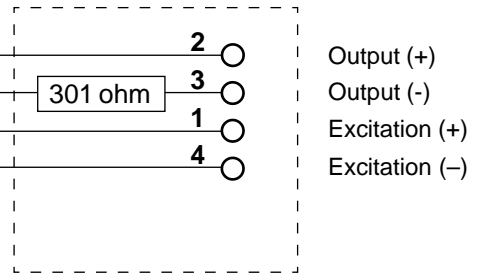
Marquette Medical (GE) – PDS-3100



mini-DIN Connector



GE-2 Monitor Connector



Order no.: 17463

Component list:

- mini-DIN Connector: male, 6 pole, black
- Monitor Connector:
- Cable: LIYY 6 x 0.14 mm², 1.75 m, grey
- Resistor: 301 ohm 1%

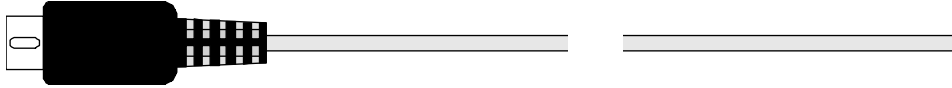
Metron AS
 Vegamot 8
 N-7048 Trondheim, NORWAY
 Phone: +47 73 95 47 00
 Fax: +47 73 95 47 01
 E-mail: support@metron.no

METRON AS Norway	DESCRIPTION PS-420/440 - GE-2 BP cable	
	DRAW CAT. Schematic diagram	
	DRAW NO. -	
PRODUCT BP cable	DATE 05.09.2001	PAGE 1 of 1

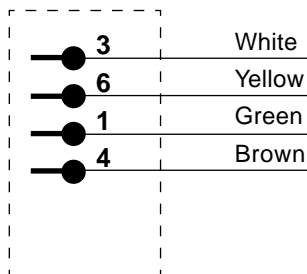
PS-420/440 BP cable

Monitor type: GE-3

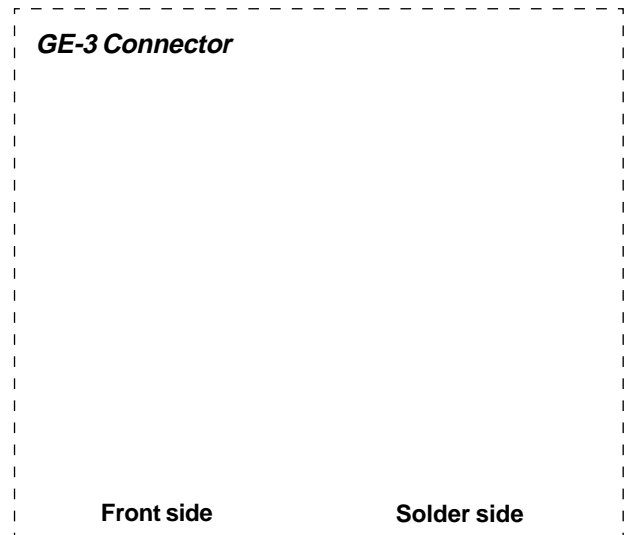
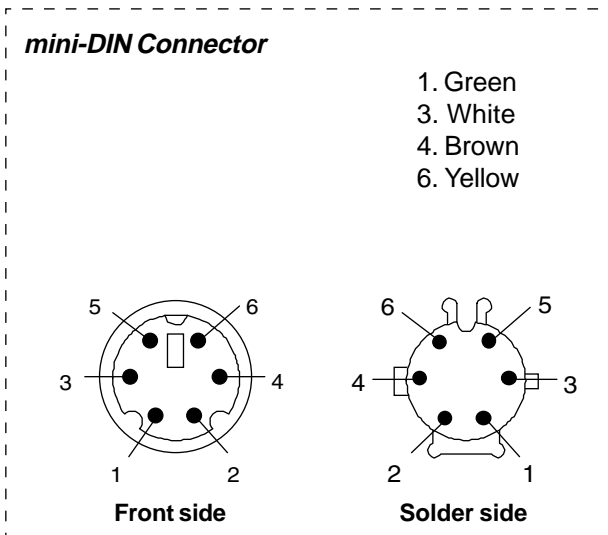
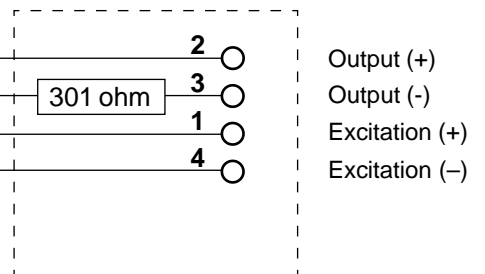
Marquette Medical (GE) – PDS-3000



mini-DIN Connector



GE-3 Monitor Connector



Order no.: 17464

Component list:

- mini-DIN Connector: male, 6 pole, black
- Monitor Connector:
- Spiral cable: LIYY 6 x 0.14 mm², 1.75 m, grey
- Resistor: 301 ohm 1%

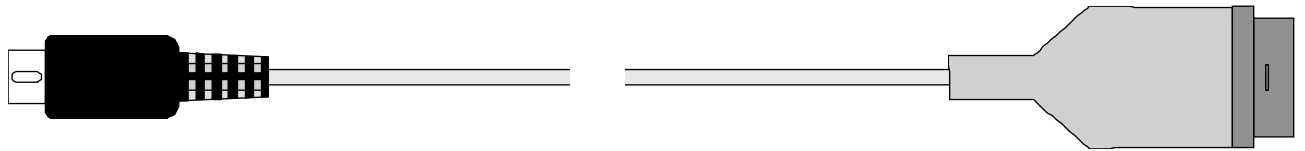
Metron AS
 Vegamot 8
 N-7048 Trondheim, NORWAY
 Phone: +47 73 95 47 00
 Fax: +47 73 95 47 01
 E-mail: support@metron.no

METRON AS Norway	DESCRIPTION PS-420/440 - GE-3 BP cable	
	DRAW CAT. Schematic diagram	
	DRAW NO. -	
PRODUCT BP cable	DATE 05.09.2001	PAGE 1 of 1

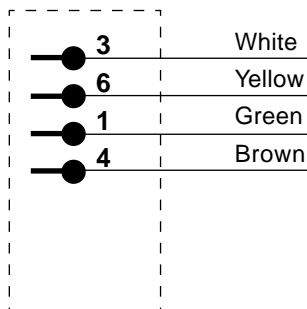
PS-420/440 BP cable

Monitor type: MQ-2

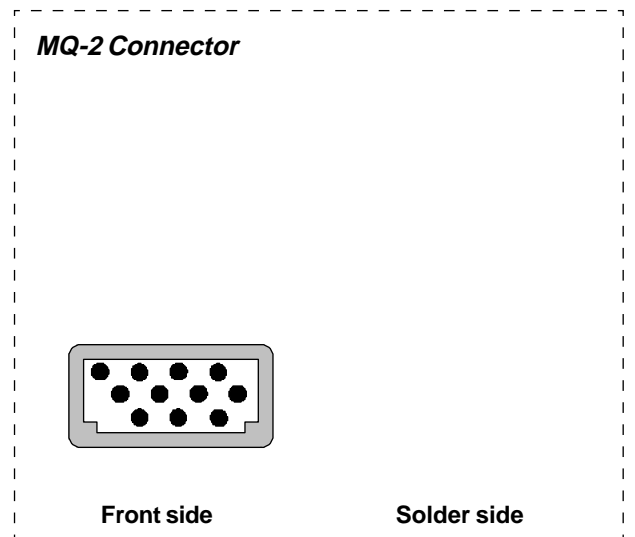
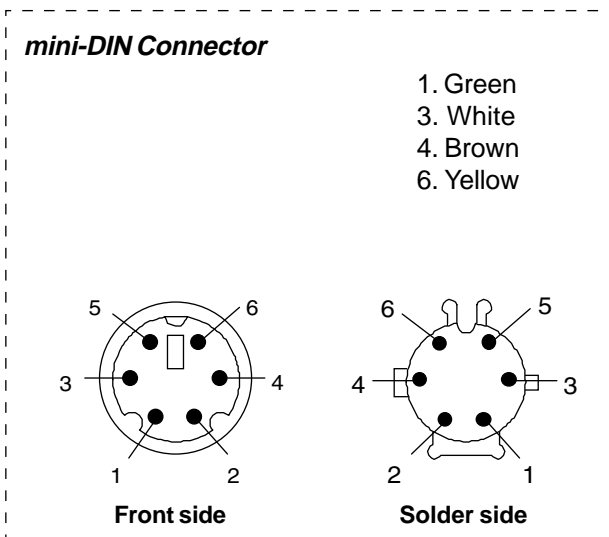
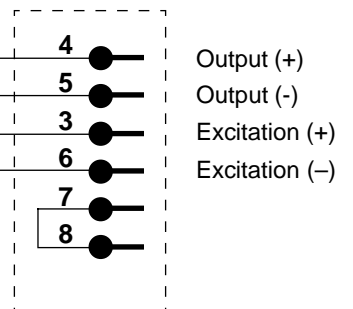
Marquette Medical – 7000/TRAM



mini-DIN
Connector



MQ-2
Monitor Connector



Order no.: 17465

Component list:

mini-DIN Connector: male, 6 pole, black
 Monitor Connector:
 Cable: LIYY 6 x 0.14 mm², 1.75 m, grey

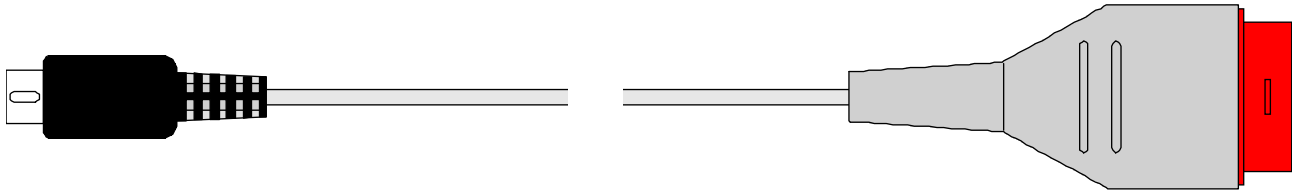
Metron AS
 Vegamot 8
 N-7048 Trondheim, NORWAY
 Phone: +47 73 95 47 00
 Fax: +47 73 95 47 01
 E-mail: support@metron.no

METRON AS Norway	DESCRIPTION PS-420/440 - MQ-2 BP cable	
	DRAW CAT. Schematic diagram	
	DRAW NO. -	
PRODUCT BP cable	DATE 27.08.2001	PAGE 1 of 1

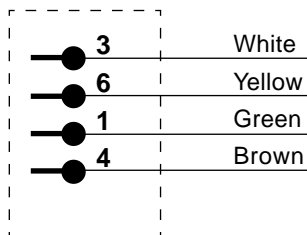
PS-420/440 BP cable

Monitor type: MQ-3

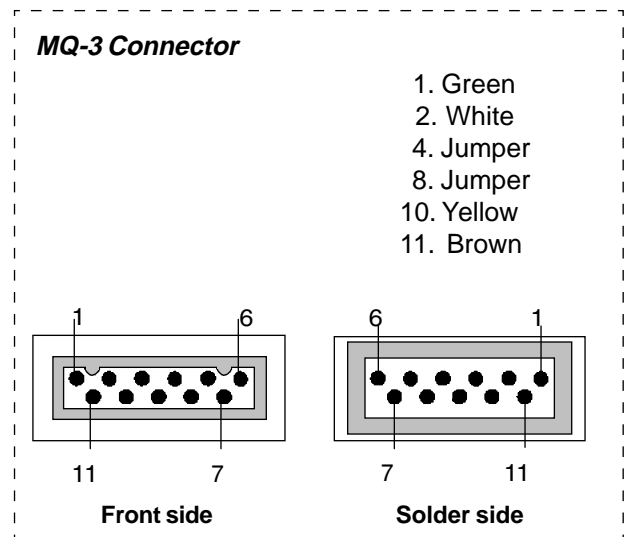
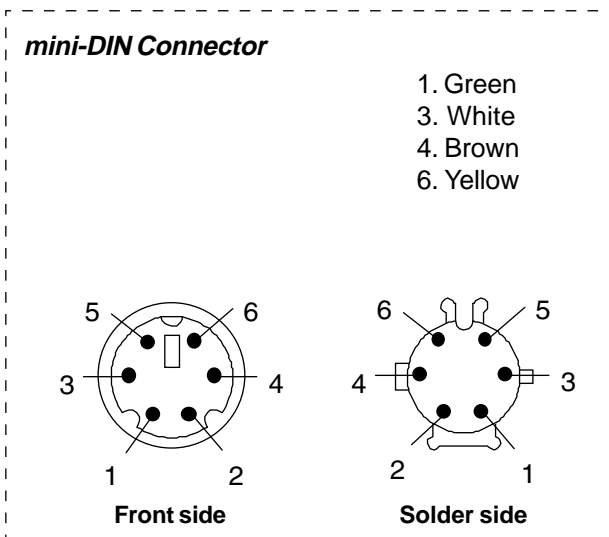
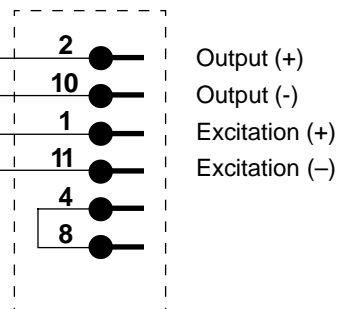
Marquette Medical – Eagle series (rectangular) TRAM Scope



mini-DIN Connector



MQ-3 Monitor Connector



Order no.: 17466

Component list:

mini-DIN Connector: male, 6 pole, black
 Monitor Connector: KT-062A
 Cable: LIYY 6 x 0.14 mm², 1.75 m, grey

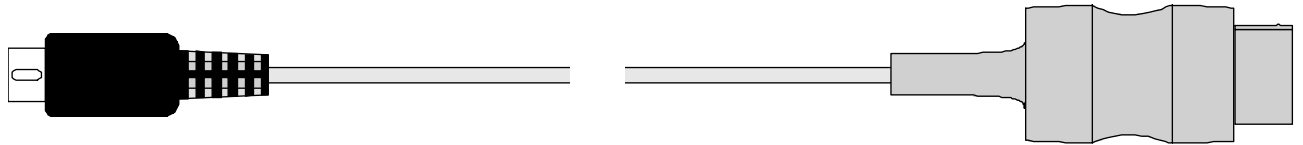
Metron AS
 Vegamot 8
 N-7048 Trondheim, NORWAY
 Phone: +47 73 95 47 00
 Fax: +47 73 95 47 01
 E-mail: support@metron.no

METRON AS Norway	DESCRIPTION PS-420/440 - MQ-3 BP cable	
	DRAW CAT. Schematic diagram	
	DRAW NO. -	
PRODUCT BP cable	DATE 31.10.2002	PAGE 1 of 1

PS-420/440 BP cable

Monitor type: MM-1

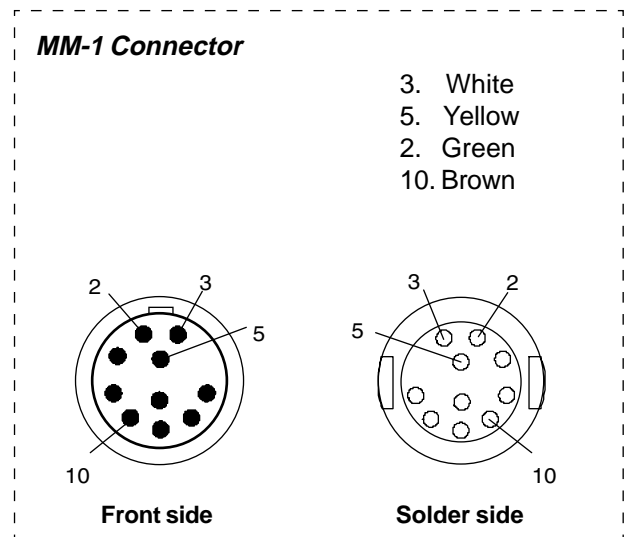
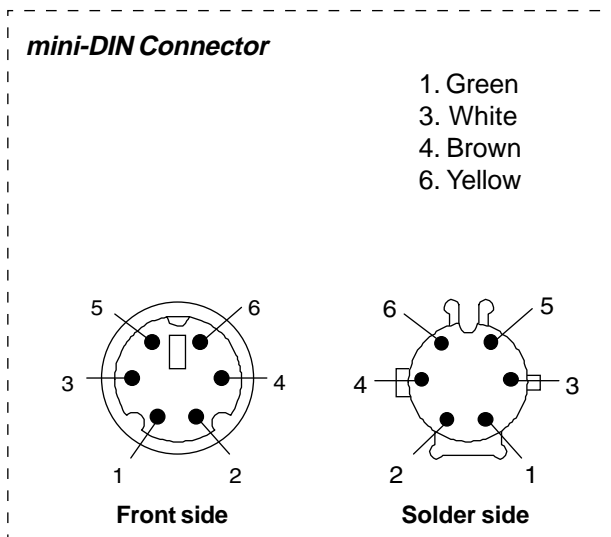
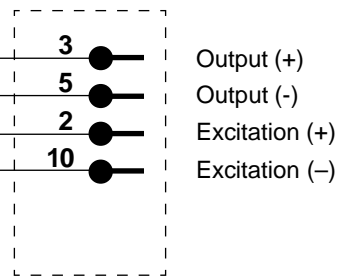
Mennen Medical – All



mini-DIN Connector



MM-1 Monitor Connector



Order no.: 17467

Component list:

mini-DIN Connector: male, 6 pole, black
 Monitor Connector: KT-080A
 Cable: LIYY 6 x 0.14 mm², 1.75 m, grey

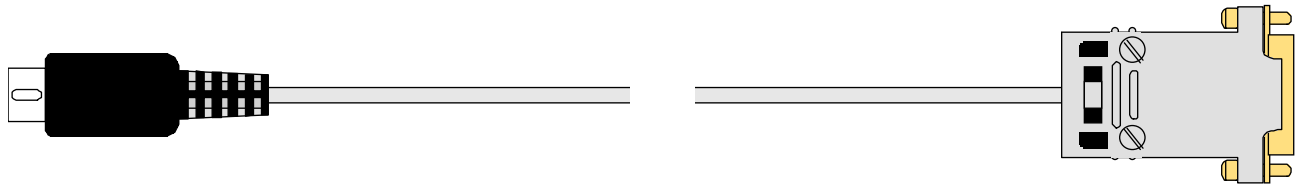
Metron AS
 Vegamot 8
 N-7048 Trondheim, NORWAY
 Phone: +47 73 95 47 00
 Fax: +47 73 95 47 01
 E-mail: support@metron.no

METRON AS Norway	DESCRIPTION PS-420/440 - MM-1 BP cable	
	DRAW CAT. Schematic diagram	
	DRAW NO. -	
PRODUCT BP cable	DATE 27.08.2001	PAGE 1 of 1

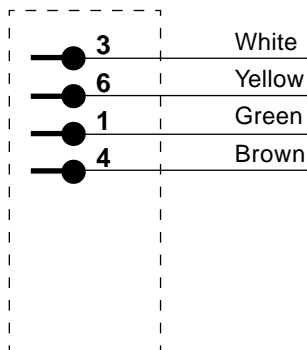
PS-420/440 BP cable

Monitor type: SM-3

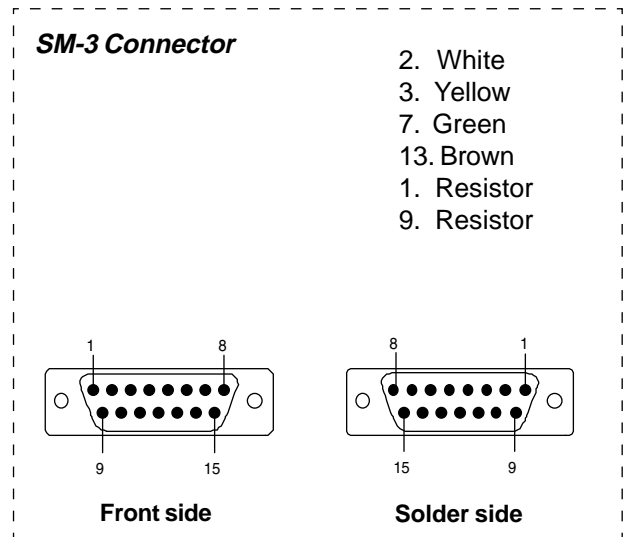
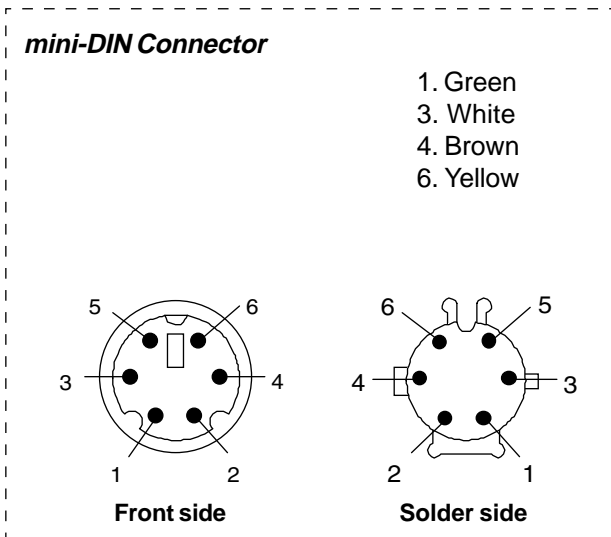
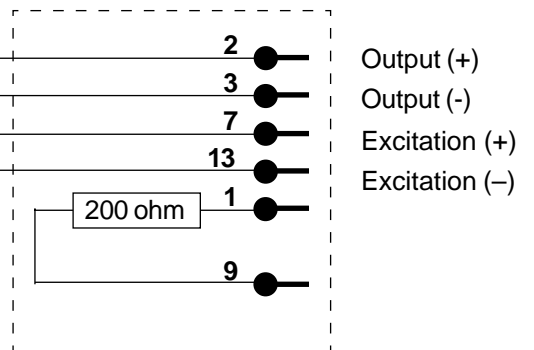
Siemens – Micor/Mingo (15 pin)



mini-DIN Connector



SM-3 Monitor Connector



Order no.: 17468

Component list:

- mini-DIN Connector: male, 6 pole, black
- Monitor Connector: male, 15 pole D-sub
- Cable: LIYY 6 x 0.14 mm², 1.75 m, grey
- Resistor: 200 ohm 1%

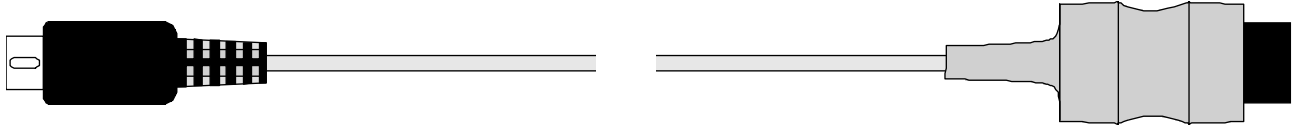
Metron AS
 Vegamot 8
 N-7048 Trondheim, NORWAY
 Phone: +47 73 95 47 00
 Fax: +47 73 95 47 01
 E-mail: support@metron.no

METRON AS Norway	DESCRIPTION PS-420/440 - SM-3 BP cable	
	DRAW CAT. Schematic diagram	
	DRAW NO. -	
PRODUCT BP cable	DATE 05.09.2001	PAGE 1 of 1

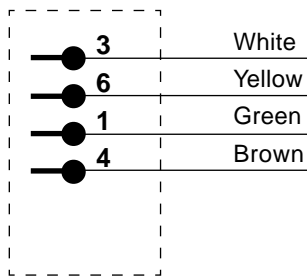
PS-420/440 BP cable

Monitor type: SL-1

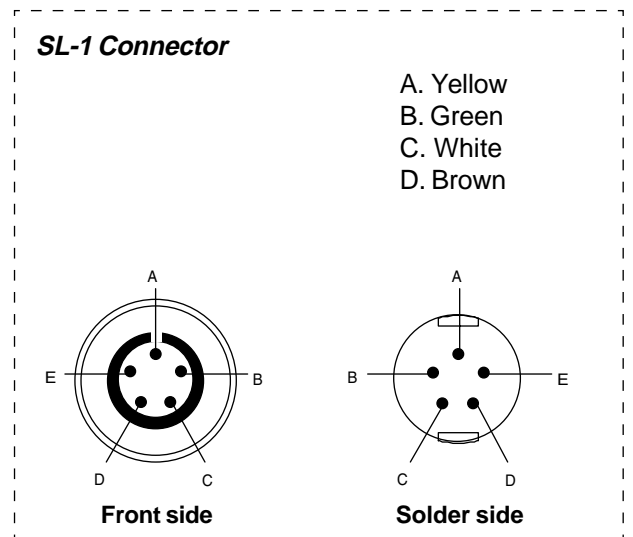
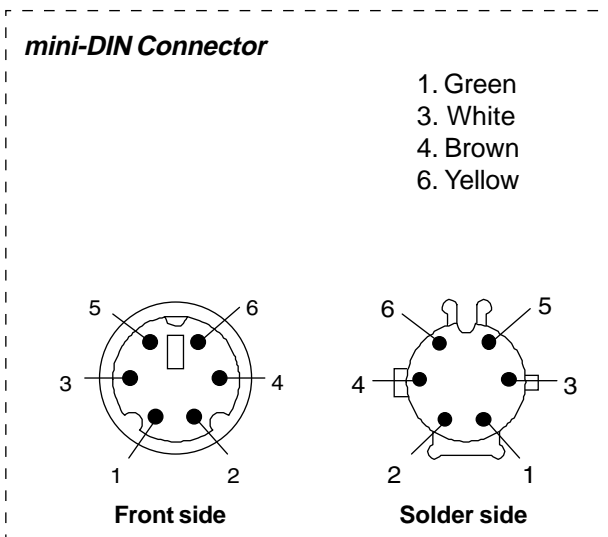
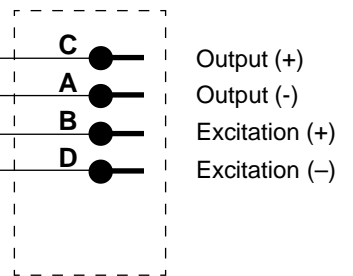
Spacelabs – ALPHA 9/703R



mini-DIN Connector



SL-1 Monitor Connector



Order no.: 17469

Component list:

mini-DIN Connector: male, 6 pole, black
 Monitor Connector: KT-005A
 Cable: LIYY 6 x 0.14 mm², 1.75 m, grey

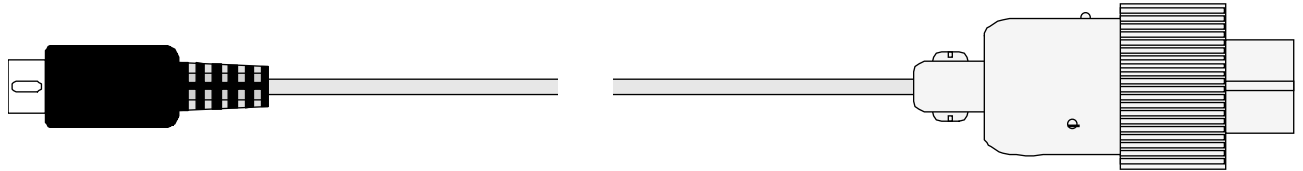
Metron AS
 Vegamot 8
 N-7048 Trondheim, NORWAY
 Phone: +47 73 95 47 00
 Fax: +47 73 95 47 01
 E-mail: support@metron.no

METRON AS Norway	DESCRIPTION PS-420/440 - SL-1 BP cable	
	DRAW CAT. Schematic diagram	
	DRAW NO. -	
PRODUCT BP cable	DATE 06.09.2001	PAGE 1 of 1

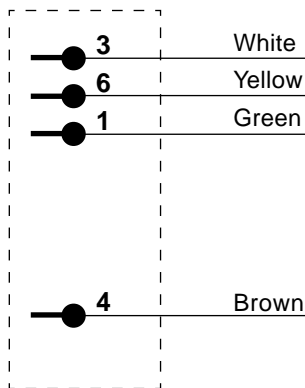
PS-420/440 BP cable

Monitor type: DS-1

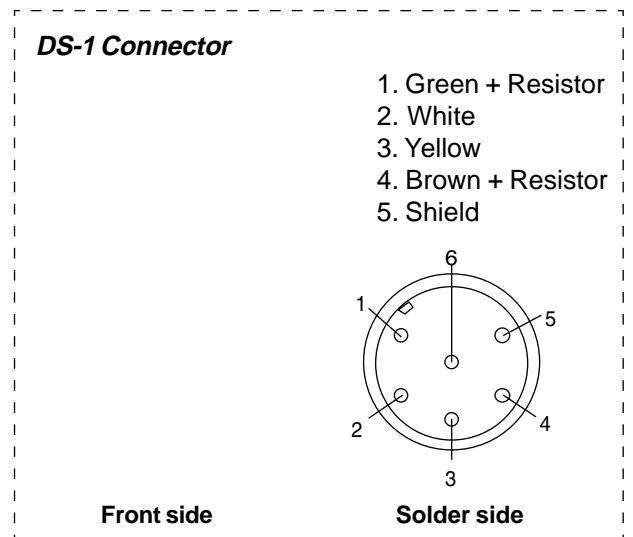
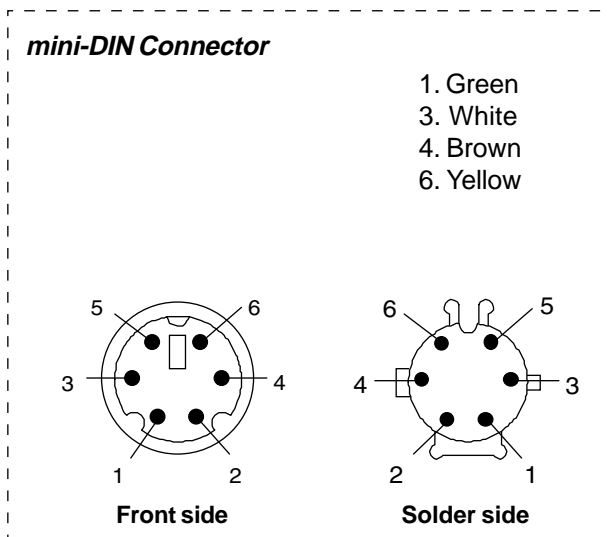
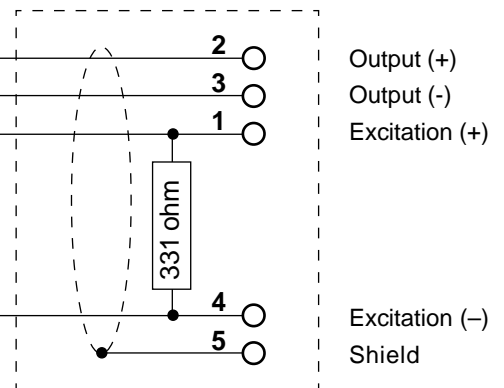
Datascope (A11) - COLIN (BP-308, BP-408)



mini-DIN Connector



ITT Cannon Connector



Order no.: 17472

Component list:

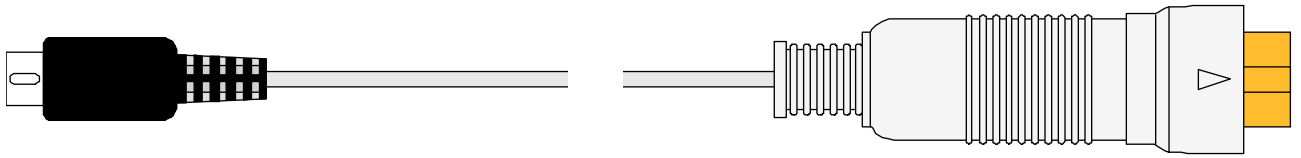
- mini-DIN Connector: male, 6 pole, black
- Monitor Connector: ITT Cannon plug, female, 6 pin
- Cable: LIYY 6 x 0.14 mm², 1.75 m, grey
- Resistor: 331 ohm 1%

Metron AS
 Vegamot 8
 N-7048 Trondheim, NORWAY
 Phone: +47 73 95 47 00
 Fax: +47 73 95 47 01
 E-mail: support@metron.no

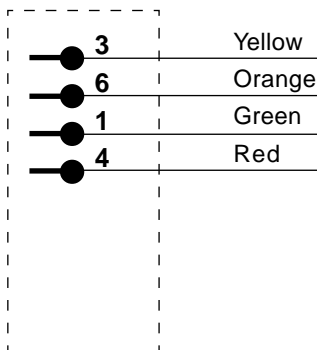
METRON AS Norway	DESCRIPTION	PS-420/440 - DS-1 BP cable	
	DRAW CAT.	Schematic diagram	
	DRAW NO.	J.Luc Leneindre	
PRODUCT	BP cable	DATE	PAGE
		24.08.2001	1 of 1

PS-420/440 BP cable

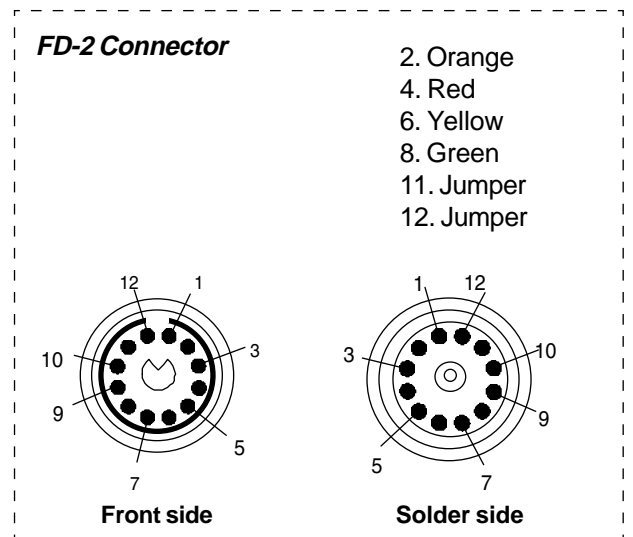
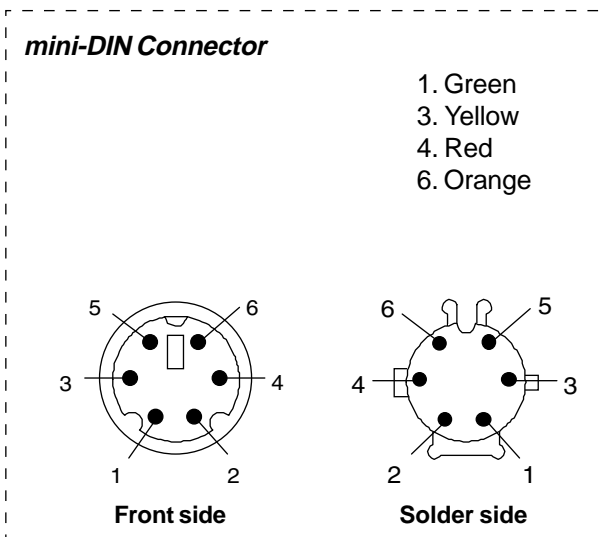
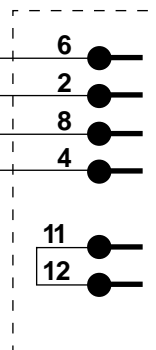
Monitor type: FD-2



mini-DIN
Connector



FD-2
Monitor Connector



Order no.: 17474

Component list:

mini-DIN Connector: male, 6 pole, black
 Monitor Connector: FD-2
 Cable:

Metron AS
 Vegamot 8
 N-7048 Trondheim, NORWAY
 Phone: +47 73 95 47 00
 Fax: +47 73 95 47 01
 E-mail: support@metron.no

METRON AS Norway	DESCRIPTION PS-420/440 - FD-2 BP cable	
	DRAW CAT. Schematic diagram	
	DRAW NO. -	
PRODUCT BP cable	DATE 30.06.2003	PAGE 1 of 1

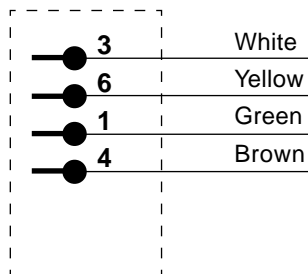
PS-420/440 BP cable

Monitor Connector: Hellige

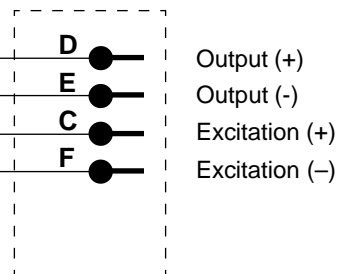
GEMS - Hellige



mini-DIN Connector

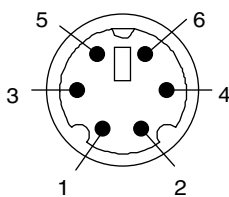


Hellige Monitor Connector

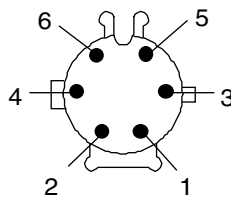


mini-DIN Connector

- 1. Green
- 3. White
- 4. Brown
- 6. Yellow



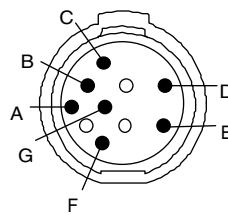
Front side



Solder side

Hellige Connector

- C. Green
- D. White
- E. Yellow
- F. Brown



Front side

Solder side

Order no.: 17480

Component list:

mini-DIN Connector: male, 6 pole, black
 Monitor Connector: From the Manufacturer
 Cable: LIYY 6 x 0.14 mm², 1.75 m, grey

Metron AS
 Vegamot 8
 N-7048 Trondheim, NORWAY
 Phone: +47 73 95 47 00
 Fax: +47 73 95 47 01
 E-mail: support@metron.no

METRON AS Norway	DESCRIPTION Hellige BP cable	
	DRAW CAT. Schematic diagram	
	DRAW NO. -	
PRODUCT PS-420/440	DATE 27.08.2001	PAGE 1 of 1

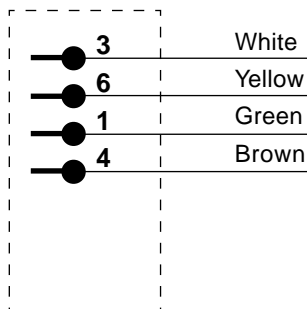
PS-420/440 BP cable

Monitor type: Siemens

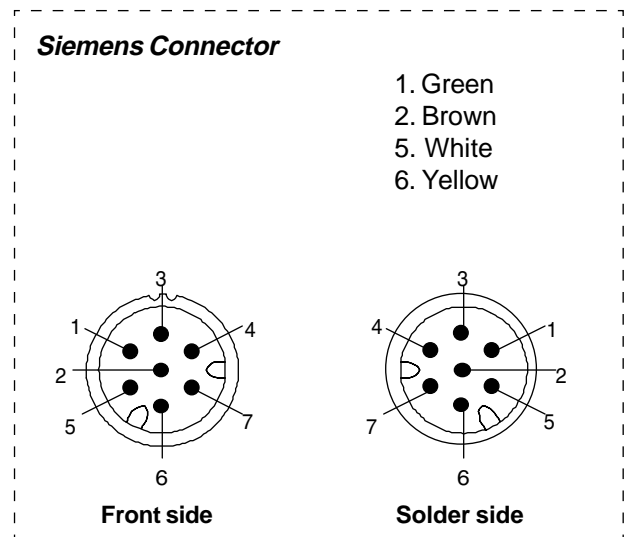
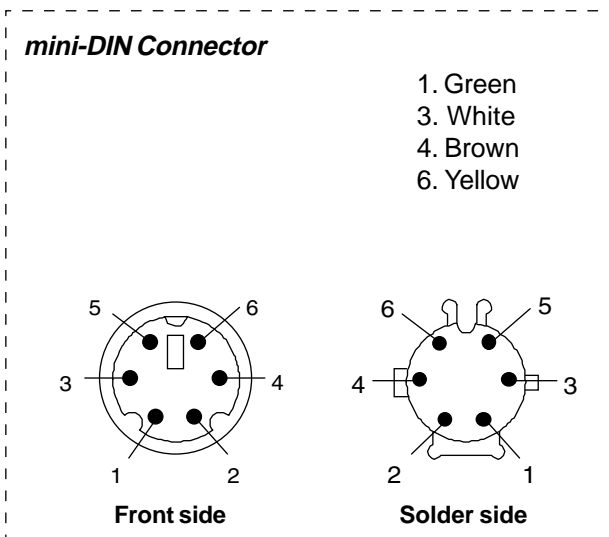
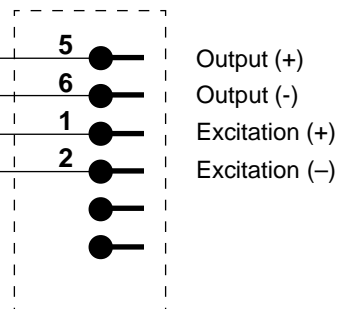
Siemens SC 6000/ 7000/ 9000 with hemopod



mini-DIN Connector



Siemens Monitor Connector



Order no.: 17496

Component list:

- mini-DIN Connector: male, 6 pole, black
- Monitor Connector: Siemens
- Cable sleeve:
- Cable: LIYY 6 x 0.14 mm², 1.75 m, grey

Metron AS
 Vegamot 8
 N-7048 Trondheim, NORWAY
 Phone: +47 73 95 47 00
 Fax: +47 73 95 47 01
 E-mail: support@metron.no

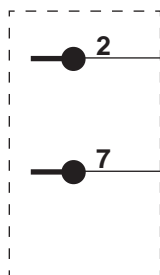
METRON AS Norway	DESCRIPTION PS-420/440 - Siemens BP cable	
	DRAW CAT. Schematic diagram	
	DRAW NO. -	
PRODUCT BP cable	DATE 17.02.2004	PAGE 1 of 1

PS-420/440 (UT1) Temperature cable

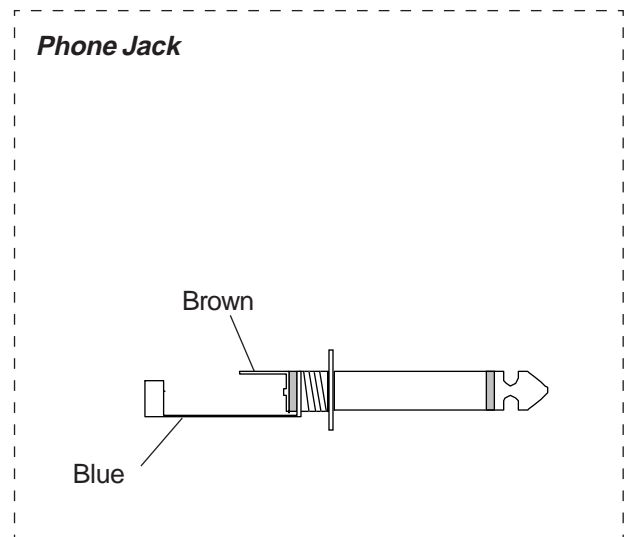
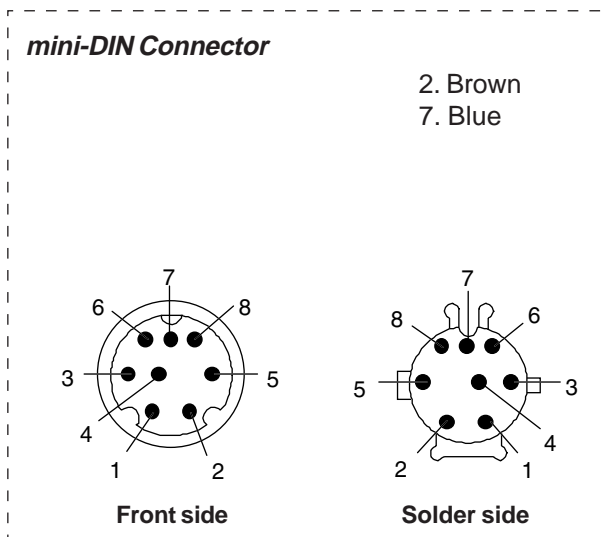
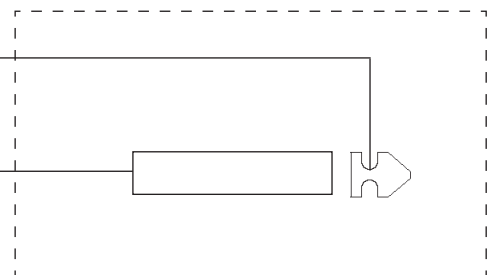
YSI 400 Series



PS-420/440
mini-DIN Connector



Phone Jack



Order no.: 17401

Component list:

mini-DIN Connector: male, 8 pole, black
 Phone Jack: mono, 1/4", black
 Cable: LIYY 6 x 0.14 mm², 1.75 m, grey

Metron AS
 Travbaneveien 1
 N-7044 Trondheim, NORWAY
 Phone: +47 73 82 85 00
 Fax: +47 73 91 70 09
 E-mail: support@metron.no

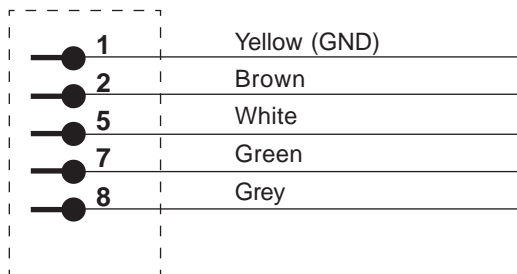
METRON AS Norway	DESCRIPTION PS-420/440 Temp. cable YSI 400	
	DRAW CAT. Schematic diagram	
	DRAW NO. -	
PRODUCT Temp. cable	DATE 05.09.2001	PAGE 1 av 1

PS-420/440 Universal temperature cable

Unterminated



mini-DIN
Connector

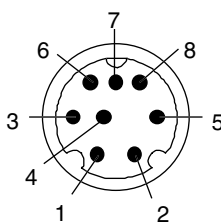


CABLE CONNECTION MATRIX:
UNIVERSAL TEMPERATURE CABLES

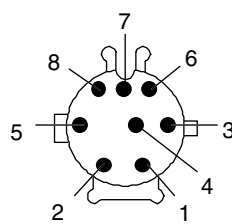
DIN conn Pin no.:	Color	TEMP 1 400 Series	TEMP 1 700 Series	TEMP 2 700 Series
1	Yellow	No conn.	No conn.	No conn.
2	Brown	Tip	No conn.	No conn.
5	White	No conn.	No conn.	Ring
7	Green	Barrel	Barrel	Barrel
8	Grey	No conn.	Tip	No conn.

mini-DIN Connector

1. Yellow (GND)
2. Brown
5. White
7. Green
8. Grey

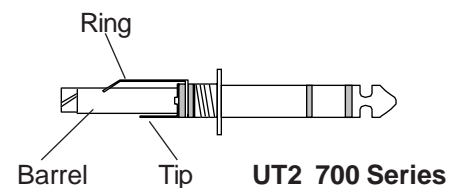
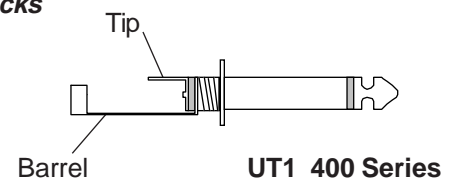


Front side



Solder side

Phone Jacks



Order no.: 17445

Component list:

mini-DIN Connector: male, 8 pole, black

Cable: LIYY 6 x 0.14 mm², 1.75 m, grey

Metron AS

Travbaneveien 1
N-7044 Trondheim, NORWAY

Phone: +47 73 82 85 00

Fax: +47 73 91 70 09

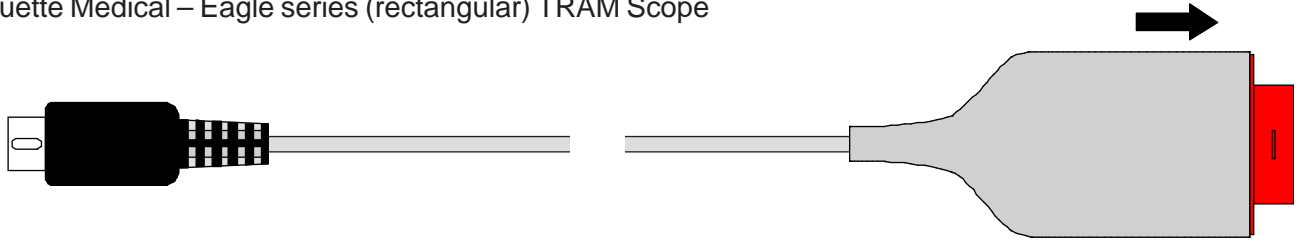
E-mail: support@metron.no

METRON AS Norway	DESCRIPTION PS-420/440 temp. cable unterminated	
	DRAW CAT. Schematic diagram	
	DRAW NO. .	
PRODUCT Temp. cable	DATE 27.08.2001	PAGE 1 av 1

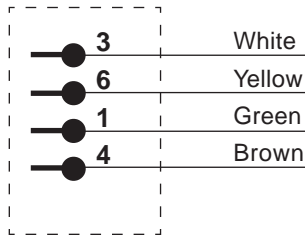
PS-420/440 BP cable

Monitor type: MQ-3

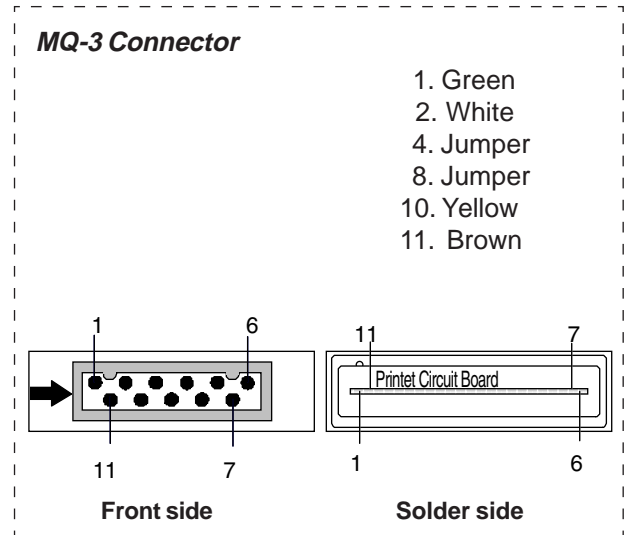
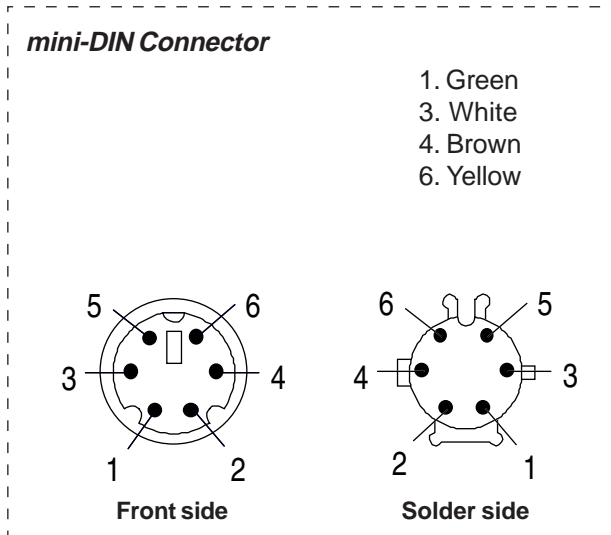
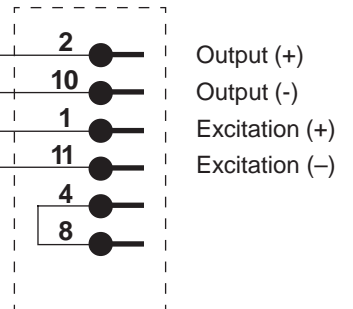
Marquette Medical – Eagle series (rectangular) TRAM Scope



mini-DIN Connector



MQ-3 Monitor Connector



Order no.: 17466

Component list:

mini-DIN Connector: male, 6 pole, black
 Monitor Connector: KT 062A
 Cable: LIYY 6 x 0.14 mm², 1.75 m, grey

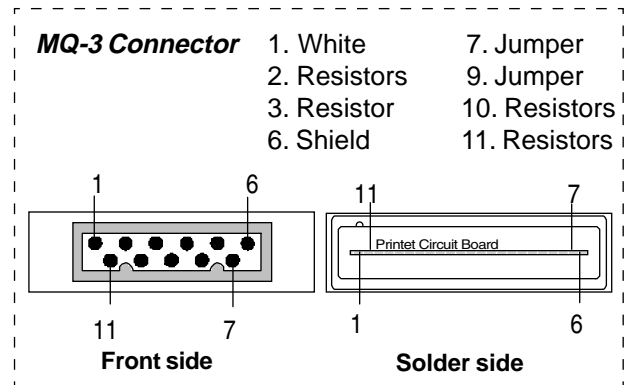
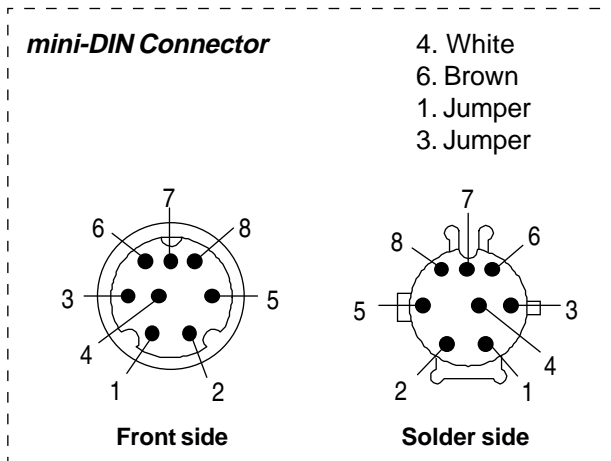
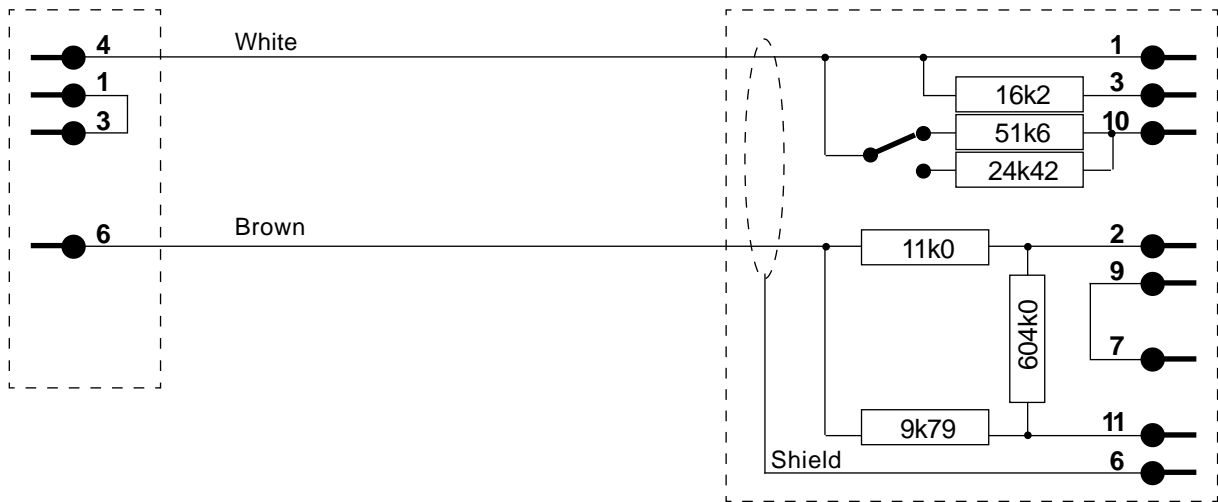
Metron AS
 Travbaneveien 1
 N-7044 Trondheim, NORWAY
 Phone: +47 73 82 85 00
 Fax: +47 73 91 70 09
 E-mail: support@metron.no

METRON AS Norway	DESCRIPTION PS-420/440 - MQ-3 BP cable	
	DRAW CAT. Schematic diagram	
	DRAW NO. -	
PRODUCT BP cable	DATE 20.05.2001	PAGE 1 av 1

PS-420/440 CO cable

Monitor type: Marquette

Marquette Medical – Eagle series (rectangular) TRAM Scope



Order no.: 17485

Component list:

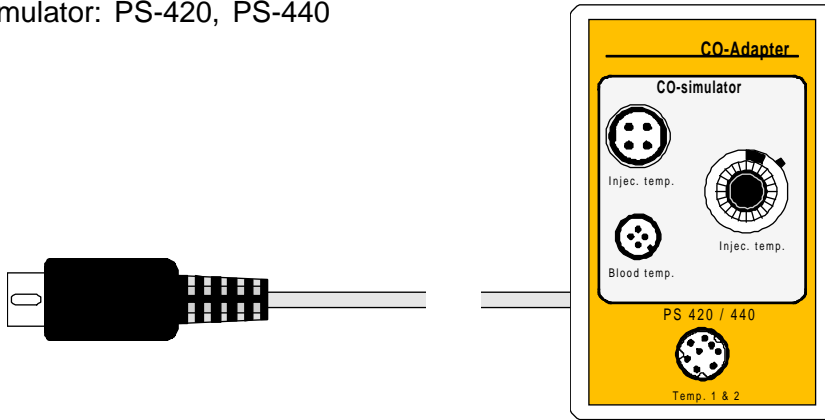
- mini-DIN Connector: male, 8 pole, black
- Monitor Connector: KT-063
- Cable: LIYY 6 x 0.14 mm², 1.10 m, grey
- Resistor: 9k79 1% 1/8W
- Resistor: 11k0 1% 1/8W
- Resistor: 16k2 1% 1/8W
- Resistor: 24k42 1% 1/8W
- Resistor: 51k6 1% 1/8W
- Resistor: 604k0 1% 1/8W
- Switch: On/On

Metron AS
 Vegamot 8
 N-7048 Trondheim, NORWAY
 Phone: +47 73 95 47 00
 Fax: +47 73 95 47 01
 E-mail: support@metron.no

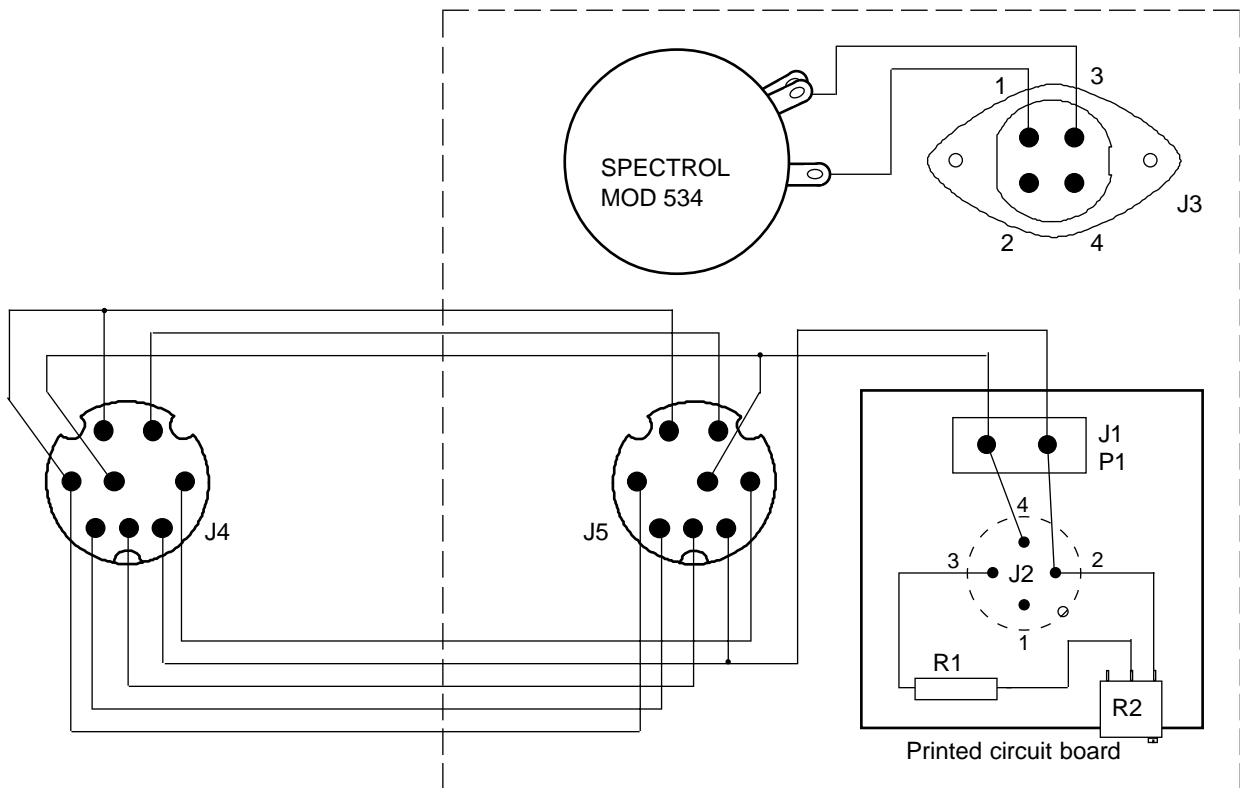
METRON AS Norway	DESCRIPTION PS-420/440 - Marquette CO cable	
	DRAW CAT. Schematic diagram	
	DRAW NO. -	
PRODUCT Cardiac cable	DATE 26.10.2004	PAGE 1 of 1

COA-G Cardiac Output Adapter

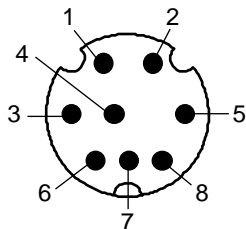
Simulator: PS-420, PS-440



Box

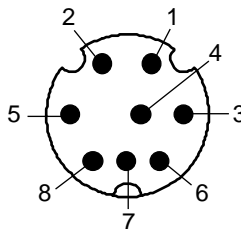


mini-DIN Connector
male



All Connectors seen from solder side

mini-DIN Connector
female



Order no.: 17290

Component list:

1 ea.	Box				
1 ea.	Resistor	9k3	0.25W	5%	R1
1 ea.	Potm. trim.	1k		10%	R2
1 ea.	Potm. multit.	100k		5%	R3
1 ea.	Connector,	male	2 pin		P1
1 ea.	Connector,	female	2 pin		J1
1 ea.	Connector,	male	4 pin		J2
1 ea.	CO Connector,	male	4 pin		J3
1 ea.	mini-DIN Connector,	female	8 pin		J5
1 ea.	mini-DIN Connector,	male	8 pin		J4
	Cable, 8 leads				

Metron AS

Vegamot 8
N-7048 Trondheim, NORWAY

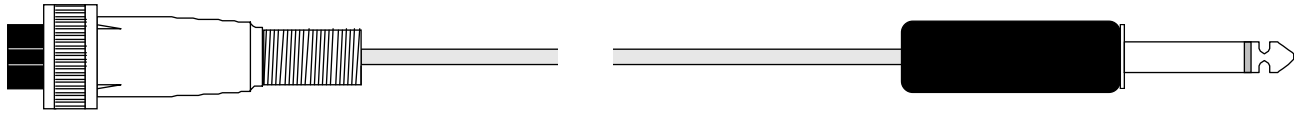
Phone: +47 73 95 47 00
Fax: +47 73 95 47 01
E-mail: support@metron.no

METRON AS Norway	DESCRIPTION COA-G Cardiac Output Adapter	
	DRAW CAT. Schematic diagram	
	DRAW NO. -	
PRODUCT Cardiac	DATE 04.03.1999	PAGE 1 of 1

COA-1 Cardiac Output cable

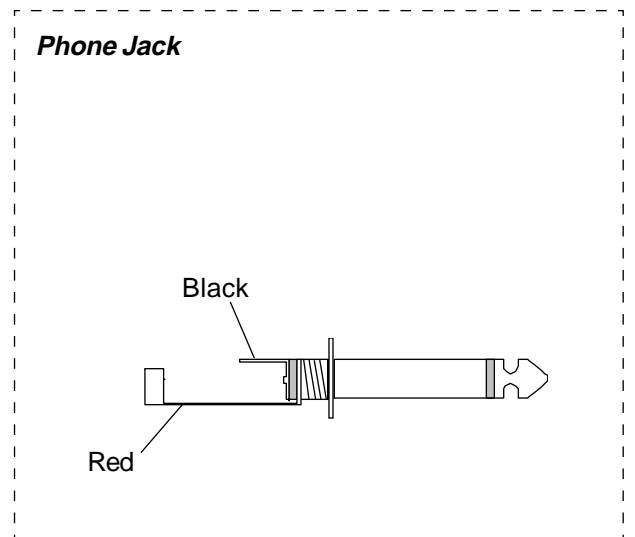
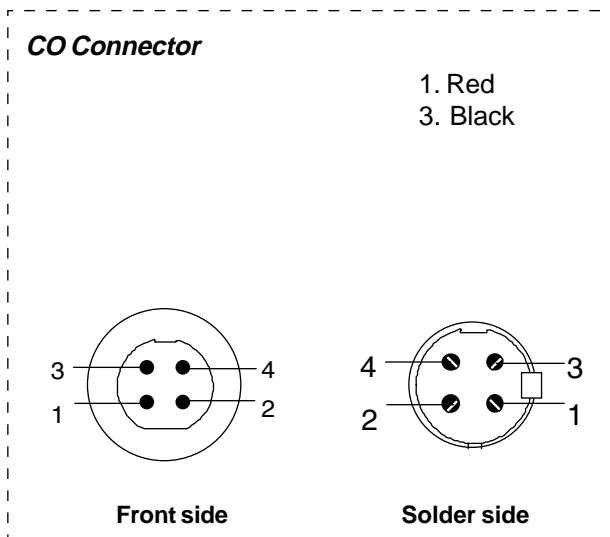
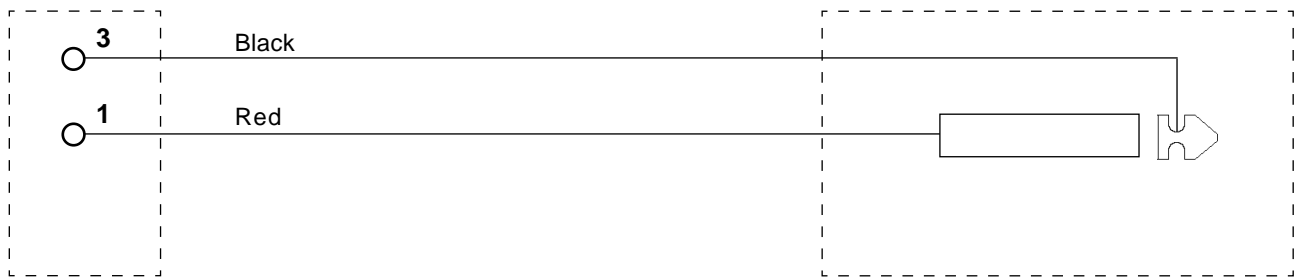
YSI 400 Series

Simulator: PS-420, PS-440



CO Connector

Phone Jack



Order no.: 17452

Component list:

CO-Connector: female, 4 pole
 Jack Connector: mono, 1/4", black
 Cable: LIYY 6 x 0.14 mm², 1.75 m, grey

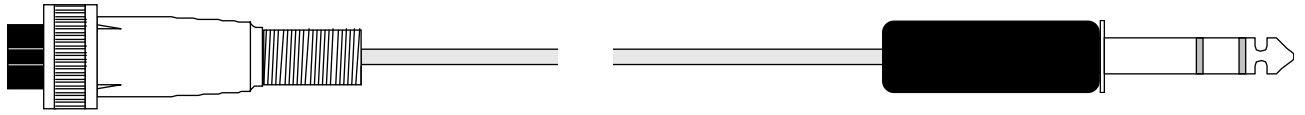
Metron AS
 Vegamot 8
 N-7048 Trondheim, NORWAY
 Phone: +47 73 95 47 00
 Fax: +47 73 95 47 01
 E-mail: support@metron.no

METRON AS Norway	DESCRIPTION COA-1 Cardiac Output cable YSI 400	
	DRAW CAT. Schematic diagram	
	DRAW NO. -	
PRODUCT Cardiac cable	DATE 05.09.2001	PAGE 1 of 1

COA-2 Cardiac Output cable

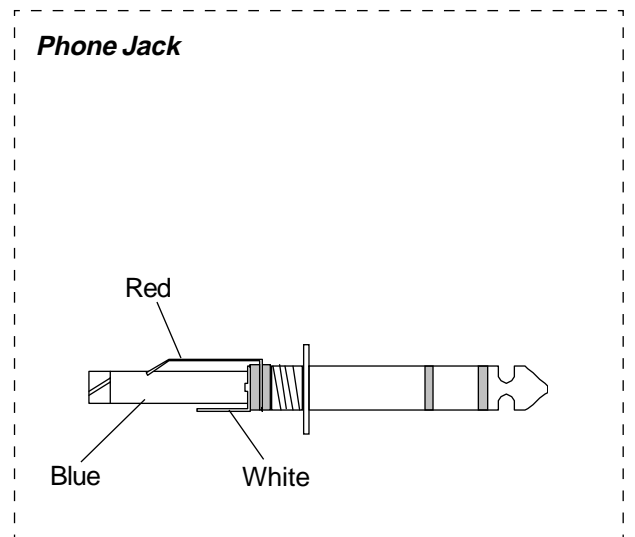
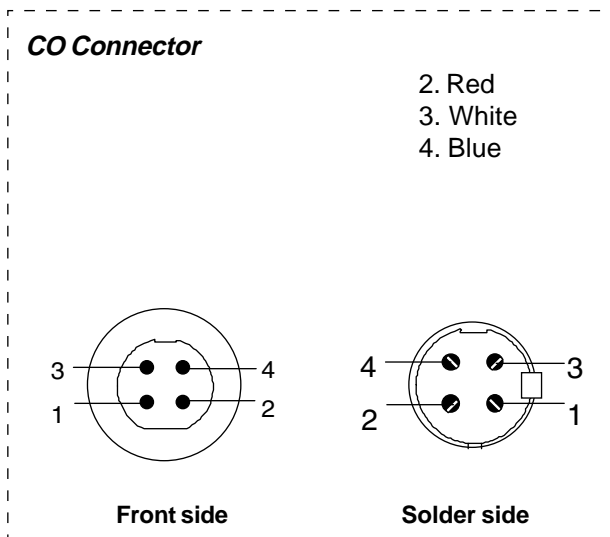
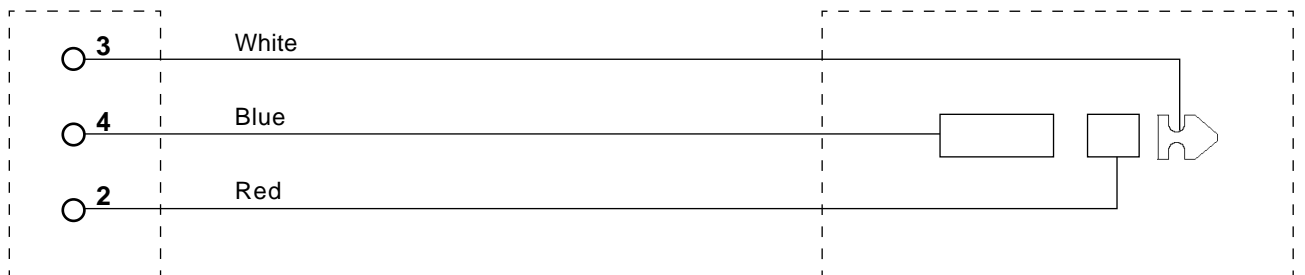
YSI 700 Series

Simulator: PS-420, PS-440



CO Connector

Phone Jack



Order no.: 17453

Component list:

CO-Connector: female, 4 pole
 Jack Connector: stereo, 1/4", black
 Cable: LIYY 6 x 0.14 mm², 1.75 m, grey

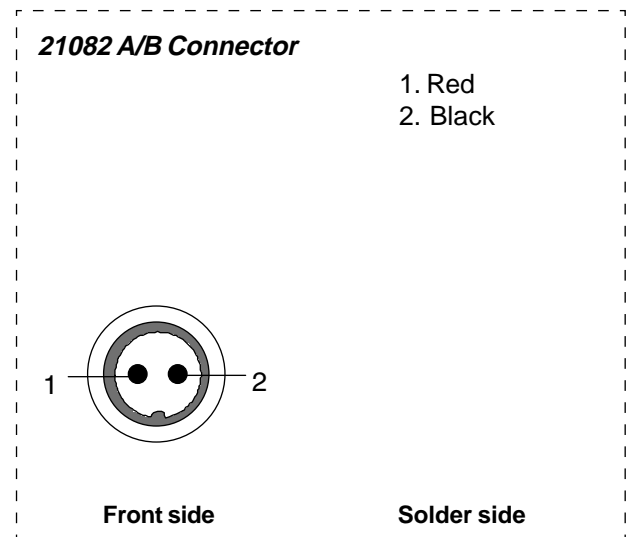
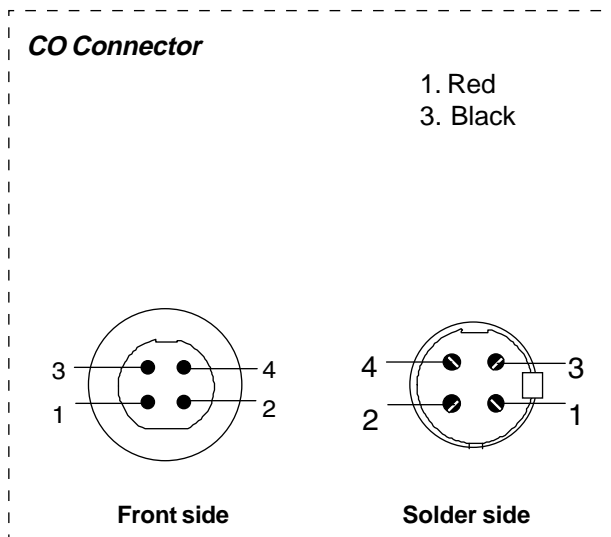
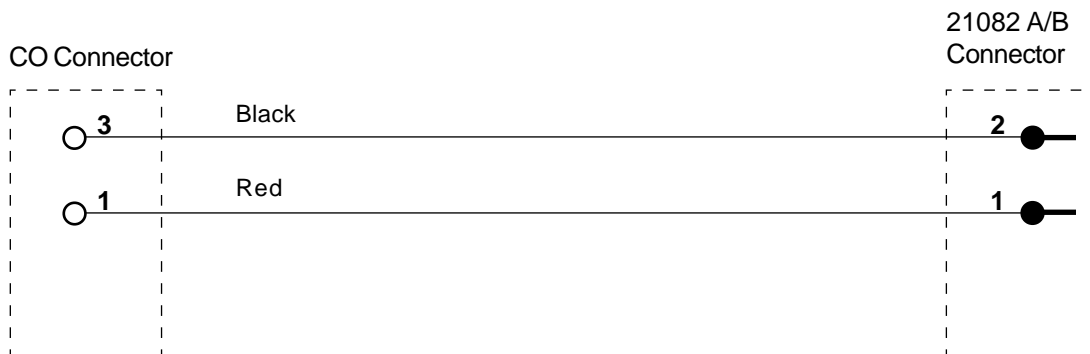
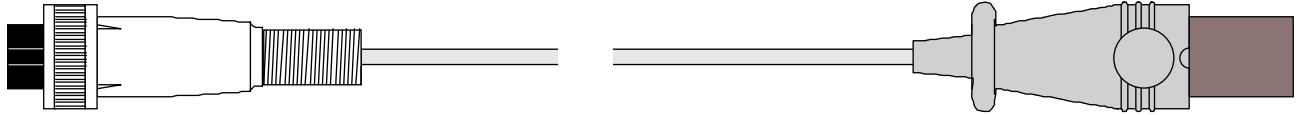
Metron AS
 Vegamot 8
 N-7048 Trondheim, NORWAY
 Phone: +47 73 95 47 00
 Fax: +47 73 95 47 01
 E-mail: support@metron.no

METRON AS Norway	DESCRIPTION COA-2 Cardiac Output cable YSI 700	
	DRAW CAT. Schematic diagram	
	DRAW NO. -	
PRODUCT Cardiac cable	DATE 05.09.2001	PAGE 1 of 1

COA-HP Cardiac Output cable

Monitor type: Hewlett Packard

Simulator: PS-420, PS-440



Order no.: 17454

Component list:

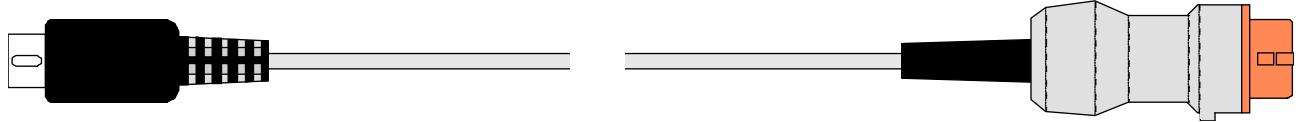
CO-Connector: female, 4 pole
 Monitor Connector: 21082A w/cable
 Cable cutting: 180 cm

Metron AS
 Vegamot 8
 N-7048 Trondheim, NORWAY
 Phone: +47 73 95 47 00
 Fax: +47 73 95 47 01
 E-mail: support@metron.no

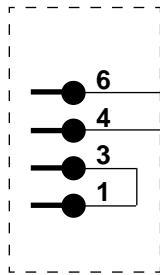
METRON AS Norway	DESCRIPTION COA-HP Cardiac Output cable	
	DRAW CAT. Schematic diagram	
	DRAW NO. -	
PRODUCT Cardiac cable	DATE 06.09.2001	PAGE 1 of 1

PS-420/440 Cardiac Output cable

Monitor type: Hewlett Packard

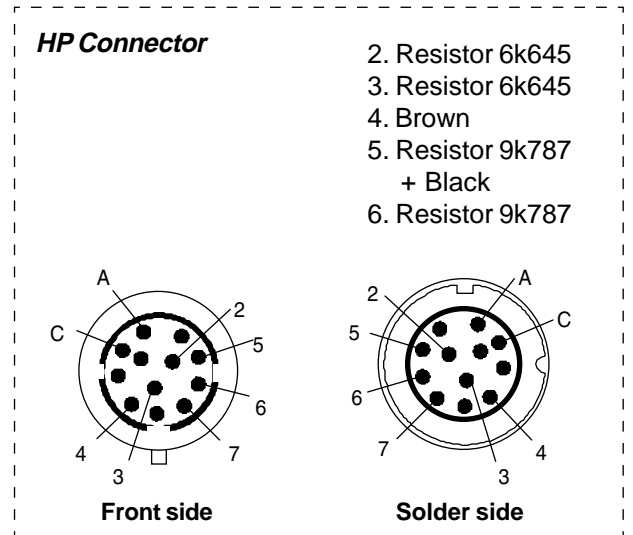
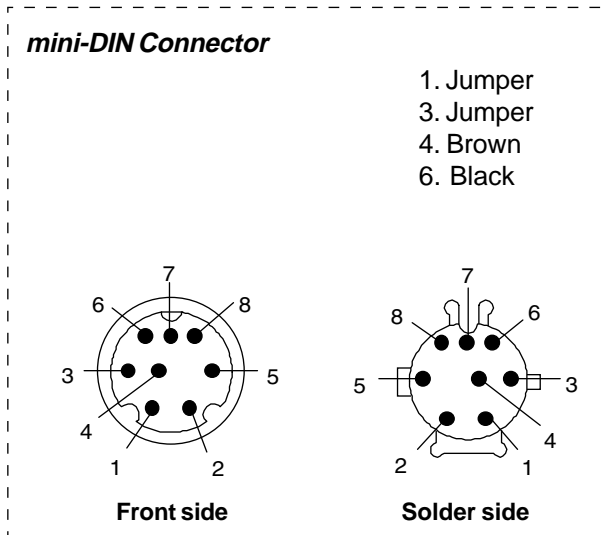
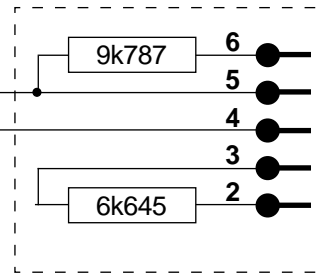


mini-DIN Connector



Black
Brown

HP Monitor Connector



Order no.: 17455

Component list:

- mini-DIN Connector: male, 8 pole, black
- Monitor Connector: ITT Cannon 1251-4116, orange
- Cable: LIYY 6 x 0.14 mm², 1.75 m, grey
- Cable sleeve: 120600 Skindicht - SNR 7/5
- Resistor: 6k645 0.01% Type: HR103
- Resistor: 9k787 0.1% Type: HR103

Metron AS
 Vegamot 8
 N-7048 Trondheim, NORWAY
 Phone: +47 73 95 47 00
 Fax: +47 73 95 47 01
 E-mail: support@metron.no

METRON AS Norway	DESCRIPTION PS-420/440 - Cardiac Output cable	
	DRAW CAT. Schematic diagram	
	DRAW NO. -	
PRODUCT Cardiac cable	DATE 28.07.2004	PAGE 1 of 1

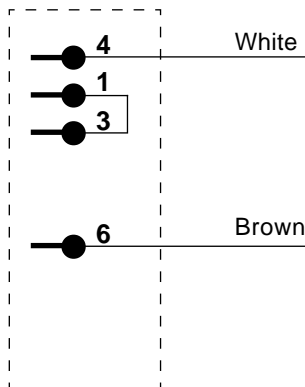
PS-420/440 CO cable

Monitor type: Marquette

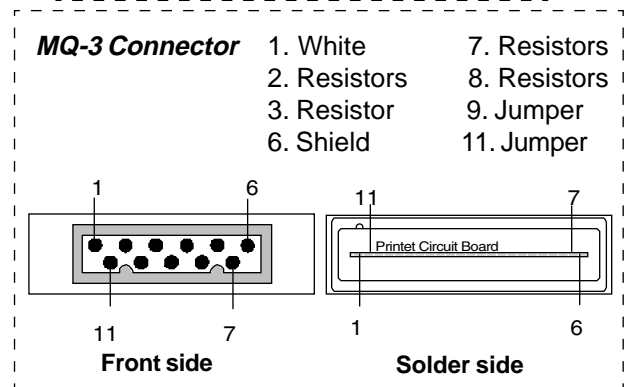
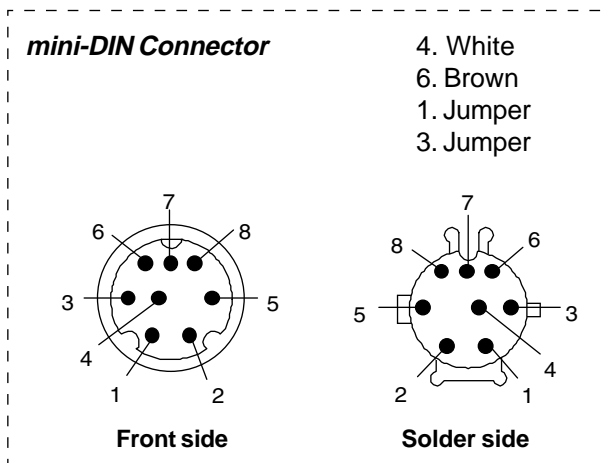
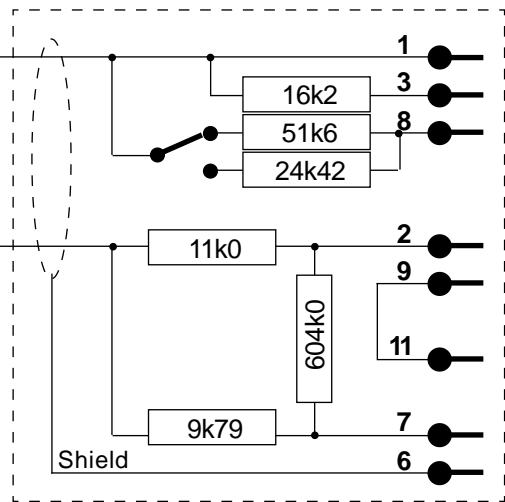
Marquette Medical – Eagle series (rectangular) TRAM Scope



mini-DIN Connector



Marquette Monitor Connector



Order no.: 17485

Component list:

- mini-DIN Connector: male, 8 pole, black
- Monitor Connector: KT-063
- Cable: LIYY 6 x 0.14 mm², 1.10 m, grey
- Resistor: 9k79 1% 1/8W
- Resistor: 11k0 1% 1/8W
- Resistor: 16k2 1% 1/8W
- Resistor: 24k42 1% 1/8W
- Resistor: 51k6 1% 1/8W
- Resistor: 604k0 1% 1/8W
- Switch: On/On

Metron AS
Vegamot 8
N-7048 Trondheim, NORWAY
Phone: +47 73 95 47 00
Fax: +47 73 95 47 01
E-mail: support@metron.no

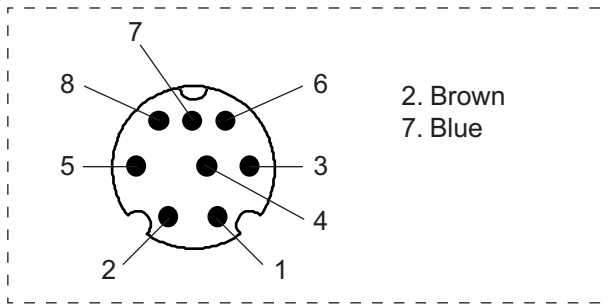
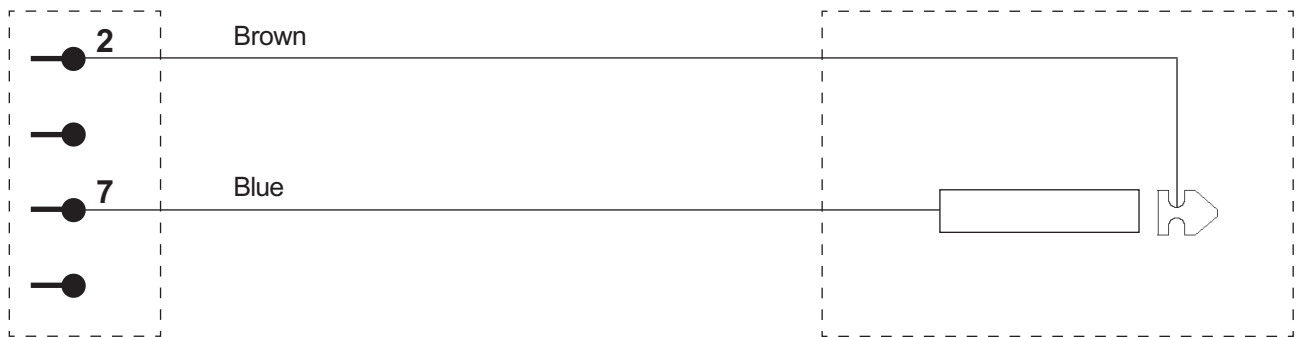
METRON AS Norway	DESCRIPTION PS-420/440 - Marquette CO cable	
	DRAW CAT. Schematic diagram	
	DRAW NO. -	
PRODUCT Cardiac cable	DATE 04.10.2002	PAGE 1 of 1

PS-420/440 Temperature cable

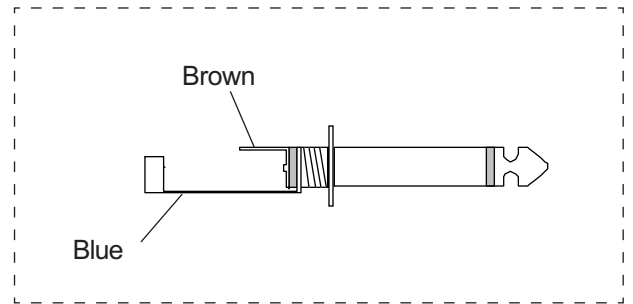
YSI 400 Series



PS-420/440
mini-DIN Connector



mini-DIN Connector (seen from solder side)



Phone Jack

Order no.: 17401

Component list:

mini-DIN Connector: male, 8 pole, black
 Phone Jack: mono, 1/4", black
 Cable: Unitronic 100,
 5 x 0.14 mm², 1.75 m, grey

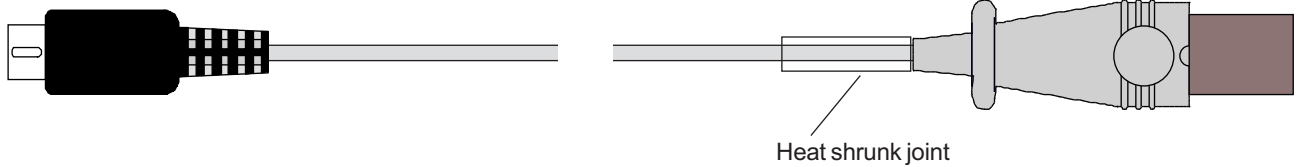
Metron AS
 Travbaneveien 1
 N-7044 Trondheim, NORWAY
 Phone: +47 73 82 85 00
 Fax: +47 73 91 70 09
 E-mail: support@metron.no

METRON AS Norway	DESCRIPTION PS-420/440 Temp. cable YSI 400	
	DRAW CAT. Schematic diagram	
	DRAW NO. -	
PRODUCT Temp. cable	DATE 25.01.1999	PAGE 1 av 1

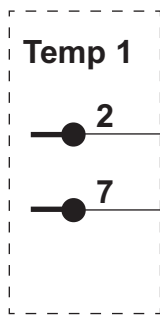
PS-420/440 Temperature cable

Monitor type: HP - YSI 400

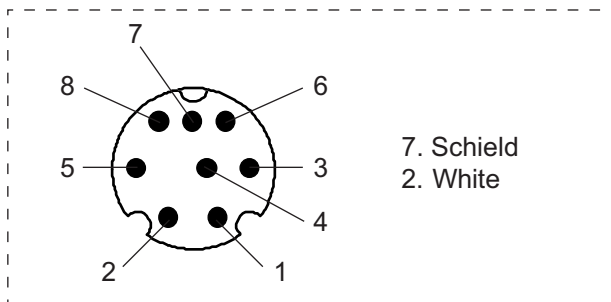
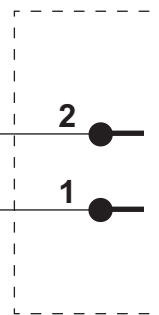
Hewlett Packard



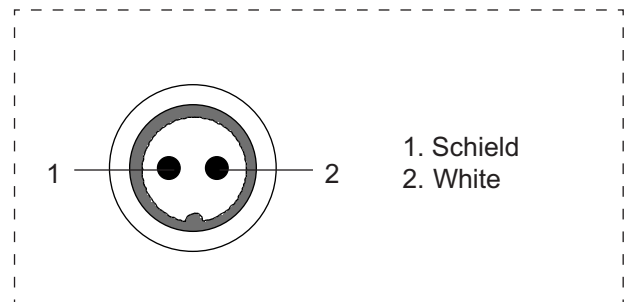
mini-DIN
Connector



Monitor
Connector



mini-DIN Connector (seen from solder side)



Monitor Connector (seen from front side)

Order no.: 17444

Component list:

- mini-DIN Connector: male, 8 pole, black
- Monitor Connector: brown, 21082-60010 w/cable
- Cable cutting: 180 cm
- Heat shrunk joint: Transparent id: 3/16" I: 40 mm

Metron AS
 Travbaneveien 1
 N-7044 Trondheim, NORWAY
 Phone: +47 73 82 85 00
 Fax: +47 73 91 70 09
 E-mail: support@metron.no

METRON AS Norway	DESCRIPTION PS-420/440 Temp. cable HP-YSI 400	
	DRAW CAT. Schematic diagram	
	DRAW NO. -	
PRODUCT Temp. cable	DATE 11.08.1999	PAGE 1 av 1

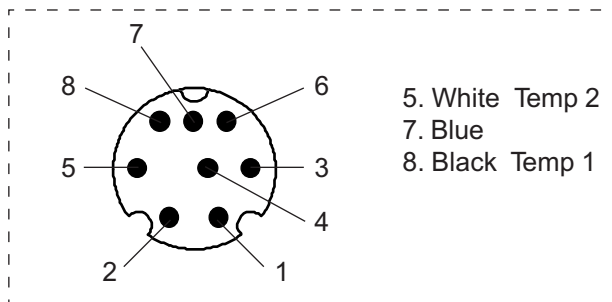
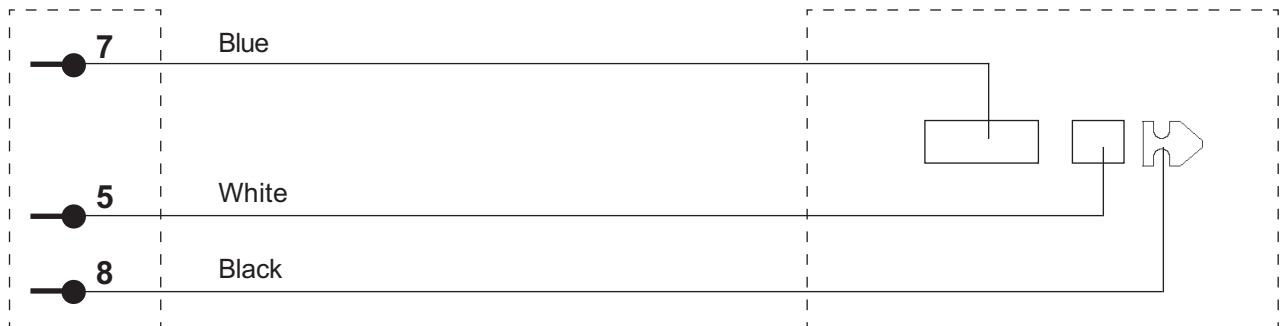
PS-420/440 Temperature cable

YSI 700 Series

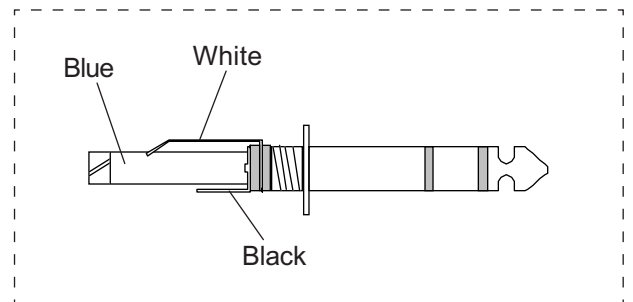


PS-420/440
mini-DIN Connector

Phone Jack



mini-DIN Connector (seen from solder side)



Phone Jack

Order no.: 17442

Component list:

mini-DIN Connector: male, 8 pole, black
 Phone Jack: stereo, 1/4", black
 Cable: Unitronic 100,
 5 x 0.14 mm², 1.75 m, grey

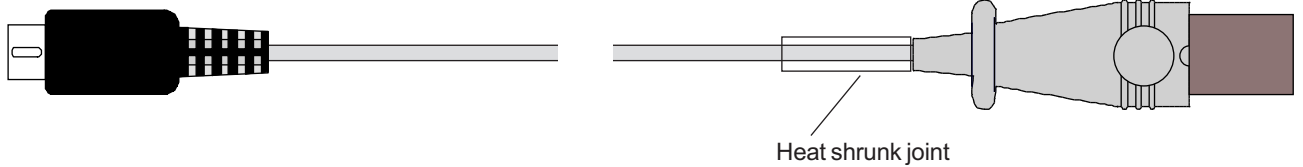
Metron AS
 Travbaneveien 1
 N-7044 Trondheim, NORWAY
 Phone: +47 73 82 85 00
 Fax: +47 73 91 70 09
 E-mail: support@metron.no

METRON AS Norway	DESCRIPTION PS-420/440 Temp.cable YSI700	
	DRAW CAT. Schematic diagram	
	DRAW NO. -	
PRODUCT Temp. cable	DATE 25.01.1999	PAGE 1 av 1

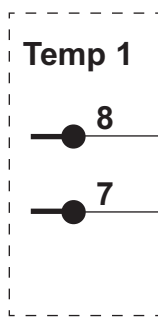
PS-420/440 Temperature cable

Monitor type: HP - YSI 700

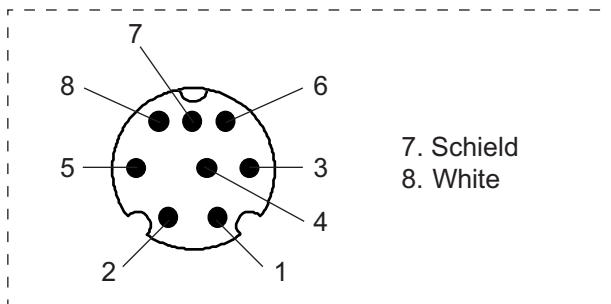
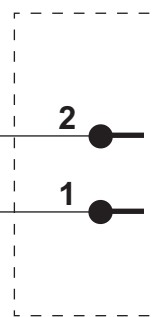
Hewlett Packard



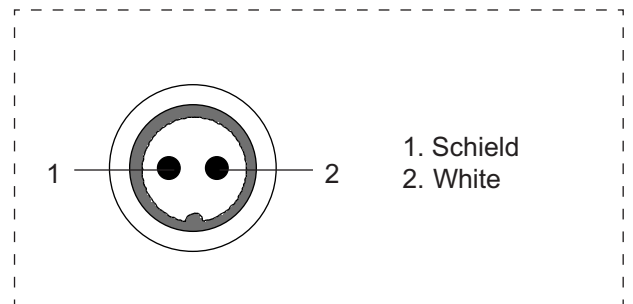
mini-DIN
Connector



HP
Connector



mini-DIN Connector (seen from solder side)



HP Connector (seen from solder side)

Order no.: 17444

Component list:

- mini-DIN Connector: male, 8 pole, black
- Monitor Connector: brown, 21082-60010 w/cable
- Cable cutting: 180 cm
- Heat shrunk joint: Transparent id: 3/16" l: 40 mm

Metron AS
 Travbaneveien 1
 N-7044 Trondheim, NORWAY
 Phone: +47 73 82 85 00
 Fax: +47 73 91 70 09
 E-mail: support@metron.no

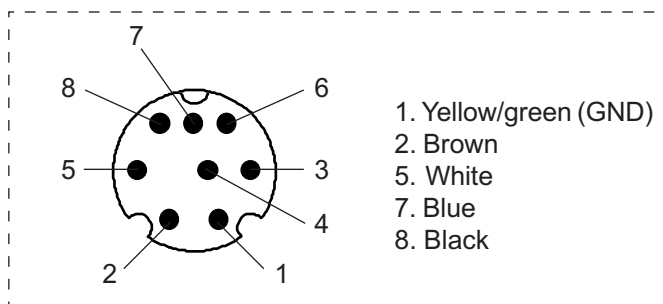
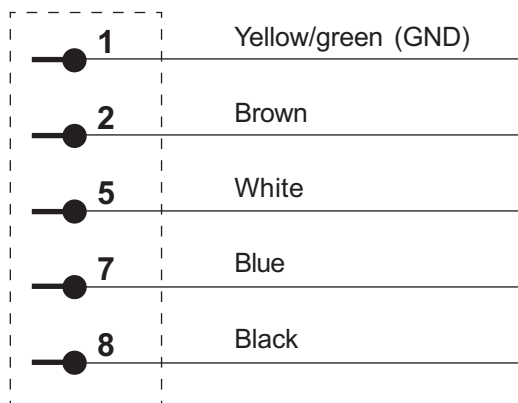
METRON AS Norway	DESCRIPTION PS-420/440 Temp. cable HP-YSI 700	
	DRAW CAT. Schematic diagram	
	DRAW NO. -	
PRODUCT Temp. cable	DATE 04.06.1999	PAGE 1 av 1

PS-420/440 Universal temperature cable

Unterminated



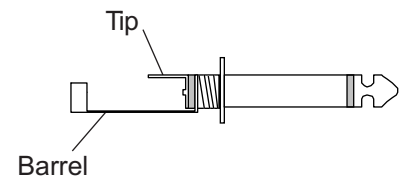
mini-DIN
Connector



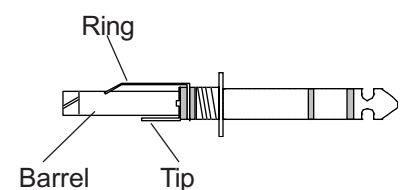
mini-DIN Connector (seen from solder side)

CABLE CONNECTION MATRIX:
UNIVERSAL TEMPERATURE CABLES

DIN conn Pin no.:	Color	TEMP 1 400 Series	TEMP 1 700 Series	TEMP 2 700 Series
1	Yellow	No conn.	No conn.	No conn.
2	Brown	Tip	No conn.	No conn.
5	White	No conn.	No conn.	Ring
7	Blue	Barrel	Barrel	Barrel
8	Black	No conn.	Tip	No conn.



Phone Jack UT1 400 Series



Phone Jack UT2 700 Series

Order no.: 17443

Component list:

mini-DIN Connector: male, 8 pole, black
Cable: Unitronic 100,
5 x 0.14 mm², 1.75 m, grey

Metron AS

Travbaneveien 1
N-7044 Trondheim, NORWAY
Phone: +47 73 82 85 00
Fax: +47 73 91 70 09
E-mail: support@metron.no

METRON AS Norway	DESCRIPTION PS-420/440 temp. cable unterminated	
	DRAW CAT. Schematic diagram	
	DRAW NO. -	
PRODUCT Temp. cable	DATE 25.01.1999	PAGE 1 av 1