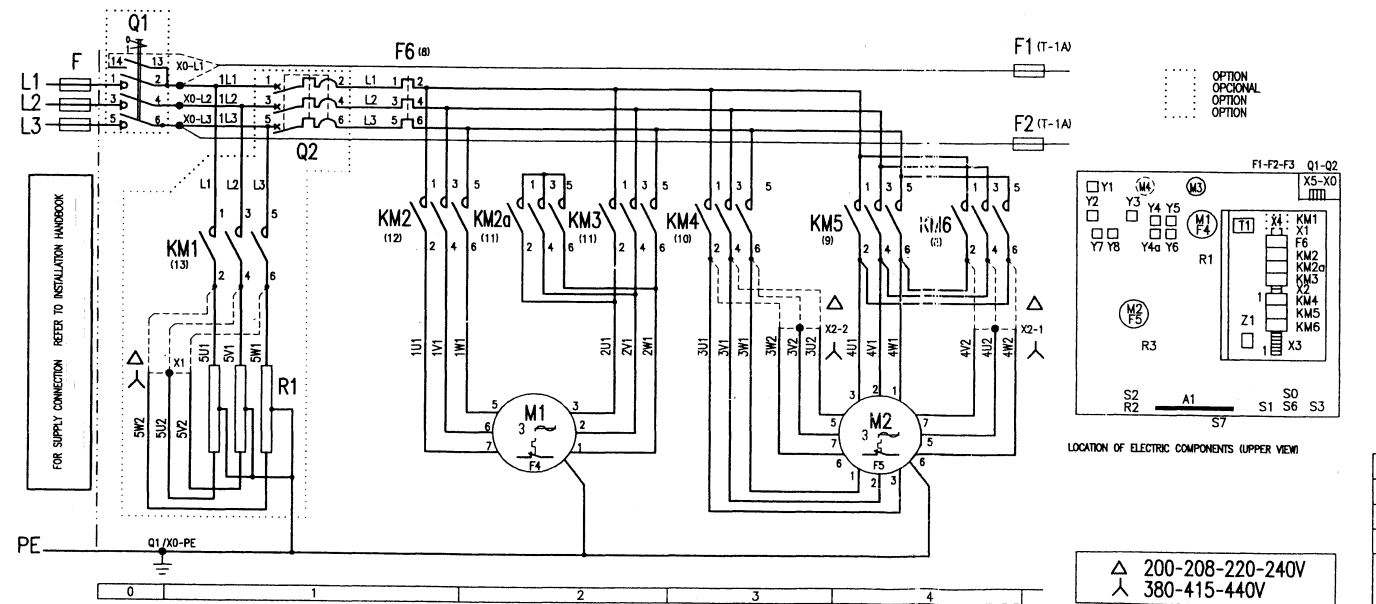
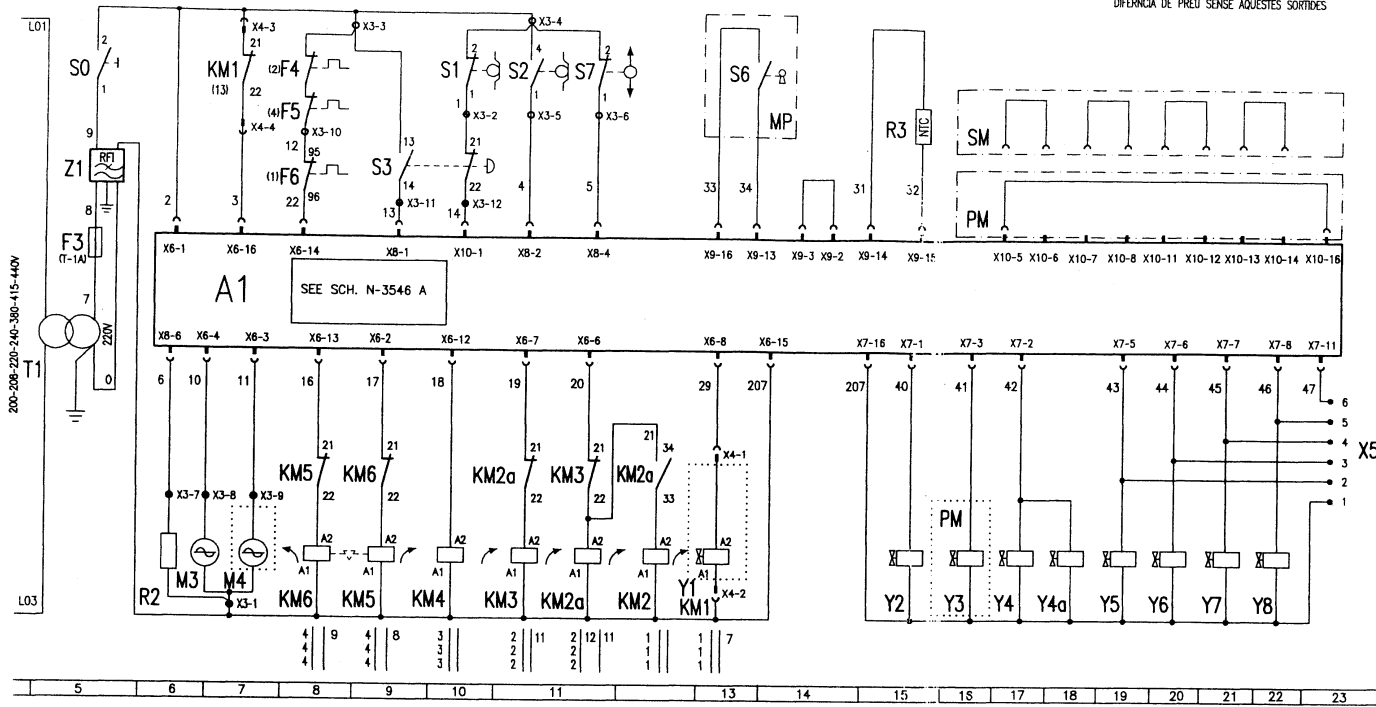


DIFERENCIA DE PREU SENSE AQUESTES SORTIDES

ENGLISH

- A1 CONTROL CIRCUIT
- F1-2-3 CONTROL FUSES
- F4 MOTOR KLIXON
- F5 MOTOR KLIXON
- F6 MOTOR THERMIC RELAY
- KM1 HEATING CONTACTOR
- KM2 HIGH EXTRACT
- KM2a HIGH EXTRACT
- KM3 MEDIUM EXTRACT
- KM4 LOW EXTRACT
- KM5 WASH CONTACTOR (RIGHT)
- KM6 WASH CONTACTOR (LEFT)
- M3 DRAIN-1
- M4 DRAIN-2
- Q1 SWITCH DISCONNECTOR
- Q2 MOTOR AUT. BREAKER
- R1 HEATERS
- R2 THERMOACTUATOR (PTC)
- R3 TEMPERATURE PROBE
- S0 CONTROL SWITCH
- S1 DOOR SWITCH (HINGE)
- S2 DOOR SWITCH (LOCK)
- S3 EMERGENCY STOP
- S6 PROG-RUN KEY
- T1 UNBALANCE
- T1 CONTROL TRANSFORMER
- Y1 STEAM ELECTROVALVE
- Y2 WATER-1 ELECTROVALVE
- Y3 WATER-3 ELECTROVALVE
- Y4-Y4a WATER-2 ELECTROVALVE
- Y5 PREWASH DOSING ELECTROVALVE
- Y6 WASH DOSING ELECTROVALVE
- Y7 BLEACH DOSING ELECTROVALVE
- Y8 SOFTENER DOSING ELECTROVALVE
- Z1 RFI FILTER



3	LL.Clotet	v. Rota LEE	16-7-97	v. Rota LEE	21-7-97
2	LL.Clotet	J.Rota	18-10-96	J.Rota	18-10-96
1	J.Alsina	J.Rota	8-6-95	J.Rota	8-6-95
0	J.Alsina	J.Rota	21-4-95	J.Rota	21-4-95
	DIBUJ-PROY.	REVISADO	FECHA	APROBADO	FECHA
MODIFIC. No.	HS-3022	No. SERIE	720001	ESQUEMA No. N-3551 A	
MODELO		DO NOT REPRODUCE WITHOUT PERMISSION IN WRITING NO REPRODUCCION SIN AUTORIZACION ESCRITA NE PAS REPRODUIRE SANS AUTORISATION ECRITE REPRODUKTION NUR MIT SCHRIFTLICHER BEWEILIGUNG			
		GIRIBAU, S.R.L.			