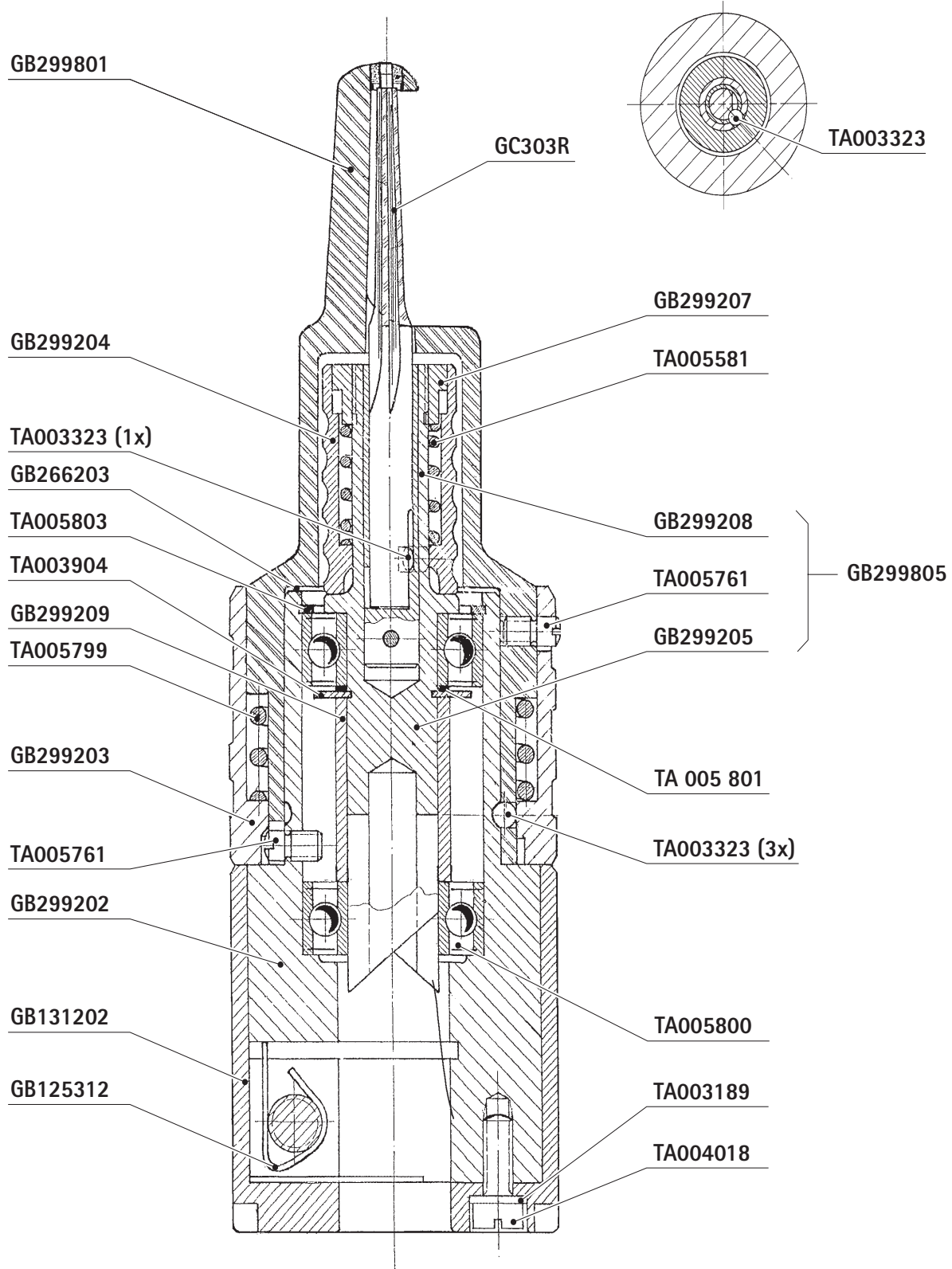
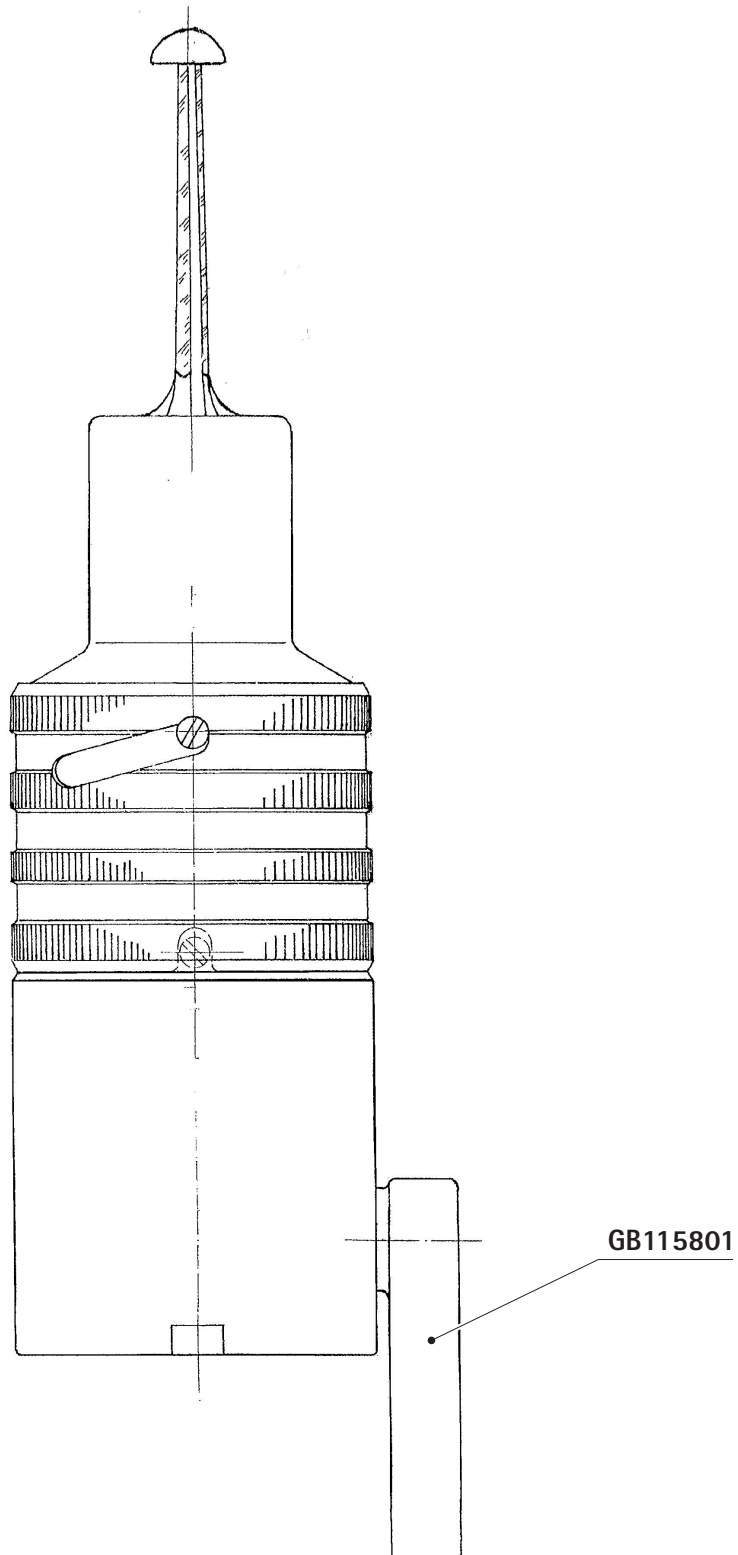


Aesculap Power Systems



-
- GB** Service Manual
Craniotome GB265R, GB268R and Macro Craniotome GB299
 - D** Service-Manual
Craniotom GB265R, GB268R und Makro-Craniotom GB299





Craniotome GB265R, GB268R and Macro Craniotome GB299

Copyright information

Copyright© 2006
 Aesculap AG & Co. KG®
 All rights reserved 08/06

This service information is copyrighted. This service information must not be copied or reproduced by other means either in whole or in part without the express permission of Aesculap AG & Co. KG.

This manual is intended for informational purposes only. Ownership of this manual alone does not constitute or imply authorization to service the product.

The technical information, illustrations and dimensions contained in this manual are non-binding. No claims may be made on the basis of the information contained herein. We reserve the right to make improvements without altering this documentation. We reserve the right to make technical changes without prior notice.

Main address for servicing:

Aesculap Technischer Service (ATS)
 Am Aesculap-Platz
 78532 Tuttlingen / Germany
 Phone: +49 7461 95-2700
 Fax: +49 7461 16-2887
 E-mail: ats@aesculap.de

Other service addresses can be obtained through the address indicated above.

Manufacturer's liability

We expressly point out that we can accept responsibility for any effects on the safety, reliability, and performance of our medical products, if and only if:

- any assembly, extensions, readjustments, modifications, or repairs are performed by technically experienced, knowledgeable and trained personnel and
- the medical products are used as set forth in the instructions for use.

It is possible to learn to service the products through an appropriate course of instruction given on the premises of Aesculap about the relevant medical products. To arrange for such a course, contact Aesculap Technical Service (ATS).

To ensure that your Aesculap warranty remains valid, we recommend that only spare parts that have been factory tested by Aesculap be used for repairs. Spare parts, as well as the relevant tools, can be ordered from Aesculap Technical Service (ATS). Any unauthorized opening and/or alterations of the medical product by third parties lead to the exclusion of our liability, as far as a fault is attributable to such unauthorized opening and/or alteration of the product. Aesculap cannot accept responsibility for the use of unsuitable spare parts, tools or devices. After repairs, dropping, severe damage or misuse, the product should be inspected by a qualified person.

This manual refers to the product as it was when the manual was prepared. Technical changes may be made at any time, particularly in software.

General advisory

This service manual contains illustrations and explanations. Each explanation covers the following: modes of operation, spare parts list, assembly, disassembly, functionality test, and the section tools/devices (if applicable).

For further information about a specific product (e.g. troubleshooting list, accessories) consult the relevant user instructions.

Literature	Art. no.
Instructions for use	TA005834

It is crucial that extreme cleanliness be maintained when the products described below are repaired. All products must undergo a functionality test after being repaired. If, in the course of a repair, a labeled component is replaced, the labeling must be transferred to the spare part. Either the original label should be used or the spare part bearing the relevant label should be ordered. To this end, be sure to include the applicable information when ordering.

Unless otherwise indicated, all medical products should be inspected annually.

General information about motors and handpieces

It is critically important that ball bearings be inspected annually. Even the slightest defect or soiling can lead to overheating during use, which would render the product unusable. If for the repair of, e.g., a motor a ball bearing has to be replaced, it is best in most cases to replace all other ball bearings as well.

If it is necessary to heat up adhesive joints during disassembly, a hot-air blower is the appropriate tool. The smallest possible nozzle should be used so as to avoid damaging other components. When gluing parts together, make certain that the surfaces to be joined are absolutely clean and free of grease. We recommend using Loctite Rapid Cleaner 7063 for this purpose (WS. no. 520001750). Only use adhesives listed in this manual. Follow the glue manufacturer's recommendations.

Lubricate components with the recommended Aesculap product only.

Following disassembly, clean all components thoroughly and inspect them to ensure that they are undamaged. Do not install any component of whose status you are uncertain. Products must always be test-run for several minutes after being repaired.



Contents

1. Safe handling.....	3
2. Tools, auxiliary materials, supplies	3
2.1 Tools.....	3
2.2 Auxiliary materials.....	3
2.3 Supplies	3
3. Expendable parts/Replacement parts.....	4
4. Designation of the craniotome elements	4
5. Basic preparations and maintenance.....	4
5.1 Preparations	4
Surface inspection.....	4
Checking the connections between elements.....	4
Function tests	4
5.2 Maintenance	4
6. Troubleshooting list.....	5
7. Disassembling	6
7.1 Disassembling the support foot	6
Disassembling support foot GB266	6
Disassembling support foot GB298	6
7.2 Disassembling the housing (GB267)	6
7.3 Disassembling the spindle (GB267)	6
7.4 Disassembling the housing (GB299)	6
7.5 Disassembling the spindle (GB299)	6
8. Assembling.....	10
8.1 Preliminary work	7
8.2 Pre-assembling the spindle (GB267)	7
8.3 Assembling the housing (GB267)	7
8.4 Pre-assembling the spindle (GB299)	7
8.5 Assembling the housing (GB299)	7
8.6 Assembling the support foot	7
Assembling support foot GB266.....	7
Assembling support foot GB298.....	7
8. Postmaintenance	11
9.1 Function tests	8
10. Parts list.....	8
10.1 GB265R	8
10.2 GB268R	9
10.3 GB299	9

1. Safe handling

- Operate craniotome GB265R, GB268R and GB299 with authentic Aesculap accessories only.
- To avoid damage to the product, do not knock craniotome GB265R, GB268R and GB299 against hard objects.

2. Tools, auxiliary materials, supplies

2.1 Tools

Designation	Art. no.
Slotted screwdriver	without
Clamping jaws	without

2.2 Auxiliary materials

Designation	Art. no.
Instructions for use	TA005834

2.3 Supplies

Designation	WS. no.
Special grease MI-setral-FKR 2	537001602
Loctite 222	560001813
Loctite 640	560001820
Eloxal Cleaner	JG601
Oil spray	GB149

Craniotome GB265R, GB268R and Macro Craniotome GB299

3. Expendable parts/Replacement parts

Designation	Art. no.
Radial ball bearing 8 x 16 x 6 ALSI (x2)	TA005800
Grooved pin DIN 1473 1.2 x 5 NR	TA005387
Locking washer	TA003904

4. Designation of the craniotome elements

Micro craniotomes

GB267	Handpiece only	Combined GB265R
GB266/ GB266M	Pendular support foot	

GB267	Handpiece only	Combined GB268R
GB298	Support foot (fixed)	

Macro craniotome

GB299	Handpiece (Macro) only, with fixed support foot GB298R
GB295	Pendular support foot craniotome compl. (screwed together), with pendular support foot GB266

5. Basic preparations and maintenance

5.1 Preparations

- Rethread every thread, using a taper.
- Clean all components, remove all silicone and Loctite residues, and degrease.
- Clean the surfaces of craniotome GB265R, GB268R and GB299 with Eloxal Cleaner JG601.
- Lubricate open radial ball bearing TA005800 with special grease MI-setral-FKR 2, WS.-no. 537001602.

Surface inspection

- Check surfaces for:
 - dents
 - stains
 - sharp edges
 - glue residues

Checking the connections between elements

- Connect flexible shaft GA176.
- Turn flexible shaft GA176 by hand. Check that the gear turns smoothly and without resistance.



Risk of injury while handling the cutter (sharp cutting edges)!

- Be careful when handling the cutter.

- Connect cutter GC303R.
- Check the locking and unlocking mechanism of cutter GC303R.
- Turn cutter GC303R by hand. Check that the cutter turns smoothly and without resistance.

Function tests

- Check that the support foot turns freely and without slack under spring pressure.
- Check craniotome GB265R, GB268R and GB299 for heat-up. After 3 minutes of running, the temperature must not exceed 41 °C.
- Check craniotome GB265R, GB268R and GB299 for atypical running noise, which would indicate defective bearings or couplings.
- Check all glued joints for firm seating.
- Spray through craniotome GB265R, GB268R and GB299 with oil spray GB149.

5.2 Maintenance

In order to ensure reliable operation, Aesculap recommends maintenance after every 300 reprocessing cycles or at least once a year.



6. Troubleshooting list

Malfunction	Finding	Cause	Remedy
Cutter not turning	Drive power not transferred to cutter	Driver broken	Replace driver TA005387
Support foot cannot be coupled	Cutter tip does not hit counter support	Support foot bent	Replace support foot Do not bend – risk of breakage!
	Marks on surface or borehole	Adapter surface damaged	Level the surfaces
Tool cannot be coupled	Visual check	Dirt in adapter	Clean the adapter
	Incorrect shape of cutter coupling	Incorrect cutter	Insert a correct cutter
Cutter not turning	Cutter cannot be turned by hand	Bearing blocked	Replace ball bearing TA003916
	No power transmission	Motor drive defective	Check the motor drive

Craniotome GB265R, GB268R and Macro Craniotome GB299

7. Disassembling

7.1 Disassembling the support foot

Disassembling support foot GB266/GB266M

- Heat up and remove headless screw TA005761.
- Remove sleeve GB299303.
- Remove compression spring TA005799 from housing GB266301.
- Remove 3 steel balls TA003323.
- Heat up threaded bushing GB266202 and remove it using a fitting piece of sheet metal.
- Slide off sliding rings GB266203 and, if applicable, shim rings TA008768 (GB266M).

This completes the disassembling of the support foot.

Disassembling support foot GB298

- Heat up and remove headless screw TA005761.
- Remove sleeve GB299303.
- Remove compression spring TA005799 from housing GB299801.
- Remove 3 steel balls TA003323.

This completes the disassembling of the support foot.

7.2 Disassembling the housing (GB267)

- Heat up housing GB267201 if necessary and unscrew it from sleeve GB267200.
- Unscrew headless screw TA005761 from housing GB267201.
- Remove borehole circlip TA005803 from housing GB267201.
- Remove spindle complete from housing GB267201.

This completes the disassembling of the housing.

7.3 Disassembling the spindle (GB267)

- Expel grooved pin TA005387 from spindle GB267800.
- Remove coupling piece TA005386 and coupling spring TA005385 from spindle GB267800.
- Remove locking ring TA003904 and shim ring TA005801 from the spindle.
- Press off 2 radial ball bearings TA011543 from spindle GB267800.
- Remove spacer tube GB299209.
- Unscrew slotted nut GB299207, using the slotted screwdriver.
- Remove compression spring TA005581.
- Remove clamping sleeve GB299204.
- Remove steel ball TA003323.

This completes the disassembling of the spindle.

7.4 Disassembling the housing (GB299)

- Remove borehole circlip TA005803.
- Unscrew headless screw TA005761 from housing GB299202.
- Remove spindle complete from housing GB299202.
- Unscrew clamping screw GB115801 from housing GB299202.
- Unscrew screw TA004018 from housing GB299202.
- Slide off sleeve GB131202 from housing GB299202.
- Remove spring washer TA003189.
- Remove spring clamp GB125312 from housing GB299202.

This completes the disassembling of the housing.

7.5 Disassembling the spindle (GB299)

- Remove locking ring TA003904.
- Press off first radial ball bearing TA005800, spacer tube GB299209 and shim ring(s) TA005801 from spindle GB299805.
- Remove spacer tube GB299209.
- Remove shim ring(s) TA005801.
- Press off second radial ball bearing TA005800 from spindle GB299805.
- Clamp in spindle GB299805 between clamping jaws.
- Unscrew slotted nut GB299207 from spindle GB299805, using the slotted screwdriver.
- Remove compression spring TA005581.
- Remove clamping sleeve GB299204.
- Remove steel ball TA003323 from spindle GB299805.

This completes the disassembling of the spindle.



8. Assembling

8.1 Preparations

- Rethread every thread, using a taper.
- Clean all components, remove Loctite residues, and degrease.

8.2 Pre-assembling the spindle (GB267)

- Insert steel ball TA003323.
- Install clamping sleeve GB299204.
- Install compression spring TA005581.
- Apply Loctite 640 on slotted nut GB299207 and screw in the nut, using the slotted screwdriver.
- Couple a tool and tighten slotted nut GB299207 so that the tool can still be removed.
- Press first radial ball bearing TA005800 onto spindle GB299805.
- Install spacer tube GB299209.
- Install locking ring TA003904.
- Install shim ring(s) TA005801 until the axial slack is minimal.
- Press second radial ball bearing TA005800 onto spindle GB299805.
- Install coupling piece TA005386 and coupling spring TA005385 on spindle GB267800.
- Impel grooved pin TA005387 into spindle GB267800.
- Check coupling piece TA005386 for smooth movement.
This completes the pre-assembling of the spindle.

8.3 Assembling the housing (GB267)

- Slide spindle complete into housing GB267201 and secure it with borehole circlip TA005803.
- Check for axial slack and, if necessary, install additional shim rings TA005801.
- Apply Loctite 640 on housing GB267201 and screw it into sleeve GB267200.
This completes the assembling of the housing.

8.4 Pre-assembling the spindle (GB299)

- Install steel ball TA003323 in spindle GB299805.
- Position clamping sleeve GB299204 on spindle GB299805.
- Install compression spring TA005581 on spindle GB299805.
- Apply Loctite 640 on slotted nut GB299207 and screw the nut into spindle GB299805, using the slotted screwdriver.
- Couple a tool and tighten slotted nut GB299207 so that the tool can still be removed.
- Press first radial ball bearing TA005800 onto spindle GB299805.
- Install shim ring TA005801.
- Install locking ring TA003904.
- Install spacer tube GB299209.
- Press second radial ball bearing TA005800 onto spindle GB299805.
This completes the pre-assembling of the spindle.

8.5 Assembling the housing (GB299)

- Press spindle complete into housing GB299202.
- Check for axial slack, install additional shim rings TA005801, if necessary, and secure the spindle with borehole circlip TA005803.
- Install spring clamp GB125312 in housing GB299202.
- Install sleeve GB131202 on housing GB299202.
- Screw in screw TA004018 with spring washer TA003189 in to housing GB299202.
- Screw in clamping screw GB115801 in to housing GB299202.
- Apply Loctite 222 on headless screw TA005761 and tighten the screw in housing GB267201.
This completes the assembling of the housing.

8.6 Assembling the support foot

Assembling support foot GB266

- Insert 3 steel balls TA003323.
- Insert compression spring TA005799 and sleeve GB299303 in housing GB299801.
- Apply Loctite 222 on headless screw TA005761 and install the screw.
- Slide sliding rings GB266203 on threaded bushing GB266202.
- Insert threaded bushing GB266202 in housing GB266201.
- Apply Loctite 640 on Pendular foot complete GB266800 and install it on threaded bushing GB266202 down to the bedstop.
- Turn back Pendular foot complete GB266800 by 1/4 turn.
Pendular foot complete GB266800 does not have any slack and can be turned easily.
This completes the assembling of the support foot.

Craniotome GB265R, GB268R and Macro Craniotome GB299

Assembling support foot GB266M

- Insert 3 steel balls TA003323.
 - Insert compression spring TA005799 and sleeve GB299303 in housing GB299801.
 - Apply Loctite 222 on headless screw TA005761 and install the screw.
 - Slide sliding rings GB266203 and shim rings TA008768 on threaded bushing GB266302.
 - Screw on support foot GB266810 and screw threaded bushing GB266302 into support foot sleeve GB266301.
 - Choose the number of sliding rings GB266203 and shim rings TA008768 in order to achieve minimal axial slack.
 - Apply Loctite 640 on threaded bushing GB266302 and screw the bushing into support foot sleeve GB266301.
- This completes the assembling of the support foot.

Assembling support foot GB298

- Insert 3 steel balls TA003323.
 - Insert compression spring TA005799 and sleeve GB299303 in housing GB299801.
 - Apply Loctite 222 on headless screw TA005761 and install the screw.
- This completes the assembling of the support foot.

9. Postmaintenance

9.1 Function tests

- Function checks, see Function tests.

10. Parts list

10.1 GB265R

Art. no.	Designation
GB266R	Turnable Dura guard for GB265R and GB299
GB267R	Craniotome Handpiece only, for GB265 and GB268
GB266201	Support foot sleeve
GB266202	Threaded bushing
GB266203	Sliding ring
GB266301	Support foot sleeve
GB266302	Threaded bushing
GB266800	Pendular foot complete
GB266810	Support foot
GB267200	Sleeve
GB267201	Housing
GB267203	Spindle
GB267800	Spindle complete
GB299203	Locking sleeve
GB299204	Clamping sleeve
GB299206	Bearing bush Z-45767
GB299207	Slottednut, Special M 6.5 x 0.50
GB299208	Adapter sleeve
GB299209	Spacer tube
GC303R	Bone cutter for Craniotome GB299
TA003323	Steel ball, 2 mm NR (3 x)
TA003904	Locking washer
TA005385	Couplingspring for GB130
TA005386	Coupling piece
TA005387	Grooved pin DIN 1473 1.2 x 5 NR
TA005581	Compression spring
TA005761	Headless screw DIN 427 M 2.5 x 4.3
TA005799	Compression spring
TA005800	Radial ball bearing 8 x 16 x 6 ALSI (x2)
TA005801	Shimring 8.0 x 10 x 0.2
TA005803	Borehole circlip
TA007960	Parallel pin
TA008768	Shimring 16 x 19 x 0.15



10.2 GB268R

Art. no.	Designation
GB266R	Turnable Dura guard for GB265R and GB299
GB298R	Dura guard sleeve for Craniotome GB299
GB266201	Support foot sleeve
GB266202	Threaded bushing
GB266203	Sliding ring
GB266800	Pendular foot complete
GB266810	Support foot
GB267200	Sleeve
GB267203	Spindle
GB267800	Spindle complete
GB299203	Locking sleeve
GB299204	Clamping sleeve
GB299206	Bearing bush Z-45767
GB299207	Slottednut, Special M 6.5 x 0.50
GB299208	Adapter sleeve
GB299209	Spacer tube
GB299303	Locking sleeve
GB299801	Support foot sleeve, assembled
GC303R	Bone cutter for Craniotome GB299
TA003323	Steel ball, 2 mm NR (3 x)
TA003904	Locking washer
TA005385	Couplingspring for GB130
TA005386	Coupling piece
TA005387	Grooved pin DIN 1473 1.2 x 5 NR
TA005581	Compression spring
TA005761	Headless screw DIN 427 M 2.5 x 4.3
TA005799	Compression spring
TA005800	Radial ball bearing 8 x 16 x 6 ALSI (x2)
TA005801	Shimring 8.0 x 10 x 0.2
TA005803	Borehole circlip
TA007960	Parallel pin

10.3 GB299

Art. no.	Designation
GB125110	Lever upper part (blank)
GB299206	Bearing bush
TA003323	Steel ball 2 mm NR (x4)
TA003904	Lock washer
TA004018	Cylinder head screw DIN 84 M 2.6 x 6.0
TA004692	Spring washer DIN 7980 3
TA004797	Cylinder head screw DIN 912 M 4.0 x 10.0
TA005581	Compression spring
TA005799	Compression spring
TA005800	Radial ball bearing 8 x 16 x 6
TA005801	Shim ring 8.0 x 10 x 0.2
TA005803	Borehole circlip

Craniotom GB265R, GB268R und Makro-Craniotom GB299

Urheberrechtliche Aspekte

Copyright© 2006

Aesculap AG & Co. KG®

Alle Rechte vorbehalten 08/06

Diese Service-Information ist urheberrechtlich geschützt. Ohne Genehmigung der Aesculap AG & Co. KG darf diese Service-Information weder vollständig noch in Auszügen kopiert oder in anderer Form vervielfältigt werden.

Dieses Manual dient nur zur Information. Der Besitz des Manuals allein berechtigt noch nicht zur Durchführung von Service-Arbeiten.

Die technischen Angaben, Abbildungen und Maße in diesen Unterlagen sind unverbindlich. Irgendwelche Ansprüche können daraus nicht abgeleitet werden. Wir behalten uns vor, Verbesserungen vorzunehmen, ohne diese Unterlagen zu ändern. Technische Änderungen behalten wir uns ohne Ankündigung vor.

Zentrale Service-Adresse:

Aesculap Technischer Service (ATS)

Am Aesculap-Platz

78532 Tuttlingen / Germany

Phone: +49 7461 95-2700

Fax: +49 7461 16-2887

E-mail: ats@aesculap.de

Weitere Service-Adressen erfahren Sie über die oben genannte Adresse.

Verantwortlichkeit des Herstellers

Wir weisen ausdrücklich darauf hin, dass wir für die Auswirkungen auf die Sicherheit, Zuverlässigkeit und Leistung unserer Medizinprodukte nur verantwortlich sind, wenn:

- Montage, Erweiterungen, Neueinstellungen, Änderungen oder Reparaturen durch technisch versiertes, erfahrenes und unterwiesenes Personal ausgeführt werden und
- die Medizinprodukte in Übereinstimmung mit der Gebrauchsanleitung verwendet werden.

Durch einen geeigneten Lehrgang mit einer Unterweisung im Hause Aesculap kann die Instandsetzung der im Lehrgang behandelten Medizinprodukte erlernt werden. Termine können beim Kundenservice des Aesculap Technischer Service (ATS) vereinbart werden.

Zur Erhaltung der Aesculap-Gewährleistung empfehlen wir, zur Reparatur nur Aesculap-geprüfte Ersatzteile zu verwenden. Diese sowie die Werkzeuge können von der Servicestelle ATS bezogen werden. Eigenmächtiges Öffnen und/oder Verändern des Medizinprodukts durch Fremde führen zu einem Ausschluss unserer Verantwortung, soweit ein Fehler hierauf zurückzuführen ist. Werden bei der Instandsetzung ungeeignete Ersatzteile, Werkzeuge oder Vorrichtungen verwendet, übernimmt Aesculap dafür keinerlei Gewährleistung. Eine Prüfung durch eine qualifizierte Person sollte erfolgen nach Reparaturen, einem Sturz, starkem Schaden oder Missbrauch des Produkts.

Dieses Manual entspricht dem Stand bei seiner Erstellung. Mit technischen Änderungen muss jederzeit gerechnet werden, insbesondere bei Software.

Grundlegende Hinweise

Dieses Service-Manual enthält Darstellungen und Erläuterungen. Die Erläuterungen enthalten jeweils die Funktionsweise, Ersatzteilliste, Montage, Demontage, Funktionsprüfung und ggf. das Kapitel Werkzeuge/Vorrichtungen.

Weitere produktspezifische Angaben (z. B. Fehlererkennungsliste, Zubehörteile) können Sie der jeweiligen Gebrauchsanweisung entnehmen.

Literatur	Art.-Nr.
Gebrauchsanweisung	TA005834

Bei der Reparatur der nachfolgend beschriebenen Produkte ist auf äußerste Sauberkeit zu achten. Nach jeder Reparatur sind die Medizinprodukte einem eingehenden Funktionstest zu unterziehen. Wird bei einer Reparatur ein Teil ausgetauscht, das Beschriftungen enthält, müssen diese Beschriftungen auf das Tauschteil übertragen werden. Entweder wird die Beschriftung selbst vorgenommen oder das Ersatzteil muss mit Beschriftung bestellt werden. Hierzu sind die entsprechenden Angaben bei der Bestellung zu machen.

Wenn nicht weiter beschrieben, sollten alle Medizinprodukte jährlich geprüft werden.

Grundlegende Hinweise für Motoren und Handstücke

Besonders bei den Kugellagern ist eine jährliche Kontrolle von größter Wichtigkeit. Selbst kleinste Beschädigungen oder Verschmutzungen können zu starken Erwärmungen im Einsatz führen und somit zur Unbrauchbarkeit. Muss bei einer Reparatur, z. B. bei einem Motor, ein Kugellager ersetzt werden, ist es meist sinnvoll, alle übrigen Kugellager ebenfalls zu ersetzen.

Falls bei der Demontage eine Erwärmung der Klebstoffe notwendig ist, erfolgt dies am besten mit einem Heißluftföhn. Es sollte eine möglichst kleine Düse verwendet werden, um keine anderen Bauteile zu beschädigen. Bei allen Klebungen ist unbedingt darauf zu achten, dass die zu klebenden Flächen absolut sauber und fettfrei sind. Wir empfehlen dazu den Loctite Schnellreiniger 7063 (zu bestellen unter der WS.-Nr. 520001750). Verwenden Sie ausschließlich die in diesem Manual angegebenen Klebstoffe. Die Angaben des Klebstoffherstellers sind zu befolgen.

Bei der Schmierung der Teile darf nur das genannte Aesculap-Produkt verwendet werden.

Nach der Demontage sind alle Teile gründlich zu reinigen und auf ihre Unversehrtheit zu prüfen. Bestehen Zweifel über den Zustand eines Bauteils, darf dieses nicht mehr eingebaut werden. Nach jeder Reparatur muss ein Test von mehreren Minuten Dauer durchgeführt werden.



Inhaltsverzeichnis

1. Sichere Handhabung	11
2. Werkzeuge, Hilfsmittel, Betriebsstoffe	11
2.1 Werkzeuge	11
2.2 Hilfsmittel	11
2.3 Betriebsstoffe	11
3. Verschleißteile/Ersatzteile	12
4. Zuordnung der Craniotomelemente	12
5. Grundlegende Vorarbeiten und Wartung	12
5.1 Vorarbeiten	12
Oberflächen prüfen	12
Anschlüsse prüfen.....	12
Funktionen prüfen.....	12
5.2 Wartung	12
6. Fehler erkennen und beheben	13
7. Demontage	14
7.1 Stützfuß demontieren	14
Stützfuß GB266/GB266M demontieren.....	14
Stützfuß GB298 demontieren.....	14
7.2 Gehäuse demontieren (GB267)	14
7.3 Spindel demontieren (GB267)	14
7.4 Gehäuse demontieren (GB299)	14
7.5 Spindel demontieren (GB299)	14
8. Montage	15
8.1 Vorarbeiten	15
8.2 Spindel vormontieren (GB267)	15
8.3 Gehäuse montieren (GB267)	15
8.4 Spindel vormontieren (GB299)	15
8.5 Gehäuse montieren (GB299)	15
8.6 Stützfuß montieren	15
Stützfuß GB266 montieren.....	15
Stützfuß GB266M montieren.....	16
Stützfuß GB298 montieren.....	16
9. Nachbereitung	16
9.1 Funktionen prüfen	16
10. Stückliste	16
10.1 GB265R	16
10.2 GB268R	17
10.3 GB299	17

1. Sichere Handhabung

- Craniotom GB265R, GB268R und GB299 nur mit Original-Aesculap-Zubehör betreiben.
- Um Beschädigungen zu vermeiden, Craniotom GB265R, GB268R und GB299 nicht auf harten Gegenständen aufklopfen.

2. Werkzeuge, Hilfsmittel, Betriebsstoffe

2.1 Werkzeuge

Bezeichnung	Art.-Nr.
Schlitzmutterdreher	ohne
Klemmbacken	ohne

2.2 Hilfsmittel

Bezeichnung	Art.-Nr.
Gebrauchsanweisung	TA005834

2.3 Betriebsstoffe

Bezeichnung	WS.-Nr.
Spezialfett MI-setral-FKR 2	537001602
Loctite 222	560001813
Loctite 640	560001820
Eloxal-Reiniger	JG601
Ölspray	GB149

Craniotom GB265R, GB268R und Makro-Craniotom GB299

3. Verschleißteile/Ersatzteile

Bezeichnung	Art.-Nr.
Radialkugellager 8 x 16 x 6 ALSI (2 Stück)	TA005800
Kerbstift DIN 1473 1,2 x 5 NR	TA005387
Sicherungsscheibe	TA003904

4. Zuordnung der Craniotomelemente

Mikro-Craniotome

GB267	Handstück alleine	Zusammen GB265R
GB266/ GB266M	Pendelstützfuß	

GB267	Handstück alleine	Zusammen GB268R
GB298	Stützfuß (fest)	

Makro-Craniotom

GB299	Handstück (Makro) alleine, mit festem Stützfuß GB298R
GB295	Pendelstützfuß-Craniotom kompl. (zusammen verschraubt), mit Pendelstützfuß GB266

5. Grundlegende Vorarbeiten und Wartung

5.1 Vorarbeiten

- Alle Gewinde mit Gewindeschneider nachschneiden.
- Alle Teile reinigen, von Silikon- und Loctite-Resten befreien und entfetten.
- Oberflächen des Craniotoms GB265R, GB268R und GB299 mit Eloxal-Reiniger JG601 reinigen.
- Offenes Radialkugellager TA005800 mit Spezialfett MI-setral-FKR 2 WS.-Nr. 537001602 fetten.

Oberflächen prüfen

- Oberflächen prüfen auf:
 - Druckstellen
 - Flecken
 - scharfe Kanten
 - Kleberückstände

Anschlüsse prüfen

- Biegewelle GA176 anschließen.
- Biegewelle GA176 von Hand drehen. Dabei sicherstellen, dass sich das Getriebe leichtgängig und ohne Widerstand drehen lässt.



Verletzungsgefahr beim Handling mit dem Fräser durch scharfe Schneiden!

- Vorsichtig mit dem Fräser umgehen.

- Fräser GC303R anschließen.
- Ver- und Entriegelung des Fräsers GC303R prüfen.
- Fräser GC303R von Hand drehen. Dabei sicherstellen, dass er sich leichtgängig und ohne Widerstand drehen lässt.

Funktionen prüfen

- Stützfuß unter Federdruck auf Verdrehbarkeit und Spielfreiheit prüfen.
- Craniotom GB265R, GB268R und GB299 auf Erwärmung prüfen. Nach 3 Minuten Laufzeit darf die Temperatur maximal 41 °C betragen.
- Craniotom GB265R, GB268R und GB299 auf untypische Laufgeräusche prüfen, die auf defekte Lager oder Verbindungen schließen lassen.
- Klebeverbindungen auf festen Sitz prüfen.
- Craniotom GB265R, GB268R und GB299 mit Ölspray GB149 durchsprühen.

5.2 Wartung

Um einen zuverlässigen Betrieb zu gewährleisten, empfiehlt Aesculap eine Wartung nach 300 Aufbereitungen, zumindest aber einmal jährlich.



6. Fehler erkennen und beheben

Störung	Erkennung	Ursache	Behebung
Fräser dreht nicht	Antrieb wird nicht auf Fräser übertragen	Mitnehmer gebrochen	Mitnehmer TA005387 tauschen
Stützfuß lässt sich nicht kuppeln	Fräserspitze trifft Gegenlager nicht	Stützfuß verbogen	Stützfuß tauschen. Nicht biegen - Bruchgefahr!
	Marken auf Fläche oder Bohrung	Aufnahmefläche beschädigt	Flächen egalisieren
Werkzeug kann nicht gekuppelt werden	Sichtprüfung	Verschmutzung in Aufnahme	Aufnahme reinigen
	Falsche Fräserkupplungsform	Falscher Fräser	Korrekten Fräser einsetzen
Fräser dreht nicht	Fräser lässt sich nicht von Hand drehen	Lager blockiert	Kugellager TA003916 tauschen
	Keine Kraftübertragung	Antrieb defekt	Antrieb kontrollieren

Craniotom GB265R, GB268R und Makro-Craniotom GB299

7. Demontage

7.1 Stützfuß demontieren

Stützfuß GB266/GB266M demontieren

- Schaftschraube TA005761 ggf. erwärmen und ausschrauben.
- Hülse GB299303 abziehen.
- Druckfeder TA005799 aus Gehäuse GB266301 entfernen.
- 3 Stahlkugeln TA003323 entfernen.
- Einschraubbuchse GB266202 erwärmen und mit passendem Blech entfernen.
- Gleitscheiben GB266203 und ggf. Passscheiben TA008768 (GB266M) abziehen.
Der Stützfuß ist demontiert.

Stützfuß GB298 demontieren

- Schaftschraube TA005761 ggf. erwärmen und ausschrauben.
- Hülse GB299303 abziehen.
- Druckfeder TA005799 aus Gehäuse GB299801 entfernen.
- 3 Stahlkugeln TA003323 entfernen.
Der Stützfuß ist demontiert.

7.2 Gehäuse demontieren (GB267)

- Gehäuse GB267201 ggf. erwärmen und von Hülse GB267200 schrauben.
- Schaftschraube TA005761 aus Gehäuse GB267201 schrauben.
- Bohrungssprengring TA005803 aus Gehäuse GB267201 entfernen.
- Spindel komplett aus Gehäuse GB267201 entfernen.
Das Gehäuse ist demontiert.

7.3 Spindel demontieren (GB267)

- Kerbstift TA005387 aus Spindel GB267800 schlagen.
- Kupplungsstück TA005386 und Kupplungsfeder TA005385 von Spindel GB267800 abziehen.
- Sicherungsscheibe TA003904 und Passscheibe TA005801 von Spindel nehmen.
- 2 Radialkugellager TA011543 von Spindel GB267800 pressen.
- Distanzrohr GB299209 entnehmen.
- Schlitzmutter GB299207 mit Schlitzmutterdreher abschrauben.
- Druckfeder TA005581 entfernen.
- Spannhülse GB299204 abnehmen.
- Stahlkugel TA003323 entfernen.
Die Spindel ist demontiert.

7.4 Gehäuse demontieren (GB299)

- Bohrungssprengring TA005803 entfernen.
- Schaftschraube TA005761 aus Gehäuse GB299202 schrauben.
- Spindel komplett aus Gehäuse GB299202 entfernen.
- Knebelschraube GB115801 von Gehäuse GB299202 schrauben.
- Schraube TA004018 aus Gehäuse GB299202 schrauben.
- Hülse GB131202 von Gehäuse GB299202 abziehen.
- Federring TA003189 entfernen.
- Federbügel GB125312 aus Gehäuse GB299202 entfernen.
Das Gehäuse ist demontiert.

7.5 Spindel demontieren (GB299)

- Sicherungsscheibe TA003904 entfernen.
- 1. Radialkugellager TA005800 mit Distanzrohr GB299209 und Passscheibe(n) TA005801 von Spindel GB299805 pressen.
- Distanzrohr GB299209 entnehmen.
- Passscheibe(n) TA005801 entfernen.
- 2. Radialkugellager TA005800 von Spindel GB299805 pressen.
- Spindel GB299805 in Klemmbacken spannen.
- Schlitzmutter GB299207 mit Schlitzmutterdreher aus Spindel GB299805 schrauben.
- Druckfeder TA005581 entfernen.
- Spannhülse GB299204 abnehmen.
- Stahlkugel TA003323 aus Spindel GB299805 entfernen.
Die Spindel ist demontiert.



8. Montage

8.1 Vorarbeiten

- Alle Gewinde mit Gewindeschneider nachschneiden.
- Alle Teile reinigen, von Loctite-Resten befreien und entfetten.

8.2 Spindel vormontieren (GB267)

- Stahlkugel TA003323 einbringen.
- Spannhülse GB299204 aufsetzen.
- Druckfeder TA005581 aufsetzen.
- Schlitzmutter GB299207 mit Loctite 640 versehen und mit Schlitzmutterdreher eindrehen.
- Werkzeug einspannen und Schlitzmutter GB299207 so anziehen, dass das Werkzeug noch zu entfernen ist.
- 1. Radialkugellager TA005800 auf Spindel GB267800 pressen.
- Distanzrohr GB299209 aufsetzen.
- Sicherungsscheibe TA003904 aufsetzen.
- Passscheibe(n) TA005801 aufstecken, bis ein minimales axiales Spiel erreicht ist.
- 2. Radialkugellager TA005800 auf Spindel GB267800 pressen.
- Kupplungsfeder TA005385 und Kupplungsstück TA005386 auf Spindel GB267800 stecken.
- Kerbstift TA005387 in Spindel GB267800 schlagen.
- Kupplungsstück TA005386 auf Leichtgängigkeit prüfen.
Die Spindel ist vormontiert.

8.3 Gehäuse montieren (GB267)

- Spindel komplett in Gehäuse GB267201 einschieben und mit Bohrungssprengring TA005803 sichern.
- Auf axiales Spiel prüfen und ggf. zusätzliche Passscheiben TA005801 einbauen.
- Gehäuse GB267201 mit Loctite 640 versehen und in Hülse GB267200 schrauben.
Das Gehäuse ist montiert.

8.4 Spindel vormontieren (GB299)

- Stahlkugel TA003323 in Spindel GB299805 einbringen.
- Spannhülse GB299204 auf Spindel GB299805 stecken.
- Druckfeder TA005581 auf Spindel GB299805 stecken.
- Schlitzmutter GB299207 mit Loctite 640 versehen und mit Schlitzmutterdreher in Spindel GB299805 schrauben.
- Werkzeug einspannen und Schlitzmutter GB299207 so anziehen, dass das Werkzeug noch zu entfernen ist.
- 1. Radialkugellager TA005800 auf Spindel GB299805 pressen.
- Passscheibe TA005801 aufstecken.
- Sicherungsscheibe TA003904 aufstecken.
- Distanzrohr GB299209 aufstecken.
- 2. Radialkugellager TA005800 auf Spindel GB299805 pressen.
Die Spindel ist vormontiert.

8.5 Gehäuse montieren (GB299)

- Spindel komplett in Gehäuse GB299202 einpressen.
- Auf axiales Spiel prüfen, ggf. zusätzliche Passscheiben TA005801 einbauen und Spindel mit Bohrsprengring TA005803 sichern.
- Federbügel GB125312 in Gehäuse GB299202 einbringen.
- Hülse GB131202 auf Gehäuse GB299202 stecken.
- Schraube TA004018 mit Federring TA003189 in Gehäuse GB299202 schrauben.
- Knebelschraube GB115801 in Gehäuse GB299202 schrauben.
- Schaftschraube TA005761 mit Loctite 222 versehen und in Gehäuse GB267201 schrauben.
Das Gehäuse ist montiert.

8.6 Stützfuß montieren

Stützfuß GB266 montieren

- 3 Stahlkugeln TA003323 einsetzen.
- Druckfeder TA005799 und Hülse GB299303 in Gehäuse GB299801 setzen.
- Schaftschraube TA005761 mit Loctite 222 versehen und einschrauben.
- Gleitscheiben GB266203 auf Einschraubbüchse GB266202 schieben.
- Einschraubbüchse GB266202 in Gehäuse GB266201 setzen.
- Pendelfuß komplett GB266800 mit Loctite 640 versehen und auf Einschraubbüchse GB266202 bis zum Anschlag aufsetzen.
- Pendelfuß komplett GB266800 1/4 Drehung zurückdrehen.
Der Pendelfuß komplett GB266800 ist spielfrei und leicht drehbar.
Der Stützfuß ist montiert.

Craniotom GB265R, GB268R und Makro-Craniotom GB299

Stützfuß GB266M montieren

- 3 Stahlkugeln TA003323 einsetzen.
- Druckfeder TA005799 und Hülse GB299303 in Gehäuse GB299801 setzen.
- Schaftschraube TA005761 mit Loctite 222 versehen und einschrauben.
- Gleitscheiben GB266203 und Passscheiben TA008768 auf Einschraub-
büchse GB266302 schieben.
- Einschraubbüchse GB266302 in Stützfußhülse GB266301 schrauben,
dazu Stützfuß GB266810 aufschrauben.
- Anzahl der Gleitscheiben GB266203 und Passscheiben TA008768 so
wählen, dass ein minimales axiales Spiel erreicht ist.
- Einschraubbüchse GB266302 mit Loctite 640 versehen und in Stütz-
fußhülse GB266301 schrauben.
Der Stützfuß ist montiert.

Stützfuß GB298 montieren

- 3 Stahlkugeln TA003323 einsetzen.
- Druckfeder TA005799 und Hülse GB299303 in Gehäuse GB299801 set-
zen.
- Schaftschraube TA005761 mit Loctite 222 versehen und einschrauben.
Der Stützfuß ist montiert.

9. Nachbereitung

9.1 Funktionen prüfen

- Funktionen prüfen, siehe Funktionen prüfen.

10. Stückliste

10.1 GB265R

Art.-Nr.	Bezeichnung
GB266R	Drehbarer Duraschutz zu GB265R und GB299
GB267R	Craniotom-Handstück allein zu GB265 und GB268
GB266201	Stützfußhülse
GB266202	Einschraubbüchse
GB266203	Gleitscheibe
GB266301	Stützfußhülse
GB266302	Einschraubbüchse
GB266800	Pendelfuss komplett
GB266810	Stützfuß
GB267200	Hülse
GB267201	Gehäuse
GB267203	Spindel
GB267800	Spindel komplett
GB299203	Verschlusshülse
GB299204	Spannhülse
GB299206	Lagerbüchse Z-45767
GB299207	Schlitzmutter, Sonder M 6,5 x 0,50
GB299208	Futterhülse
GB299209	Distanzrohr
GC303R	Knochenfräser zu Craniotom GB299
TA003323	Stahlkugel, 2 mm NR (3 Stück)
TA003904	Sicherungsscheibe
TA005385	Kupplungsfeder für GB130
TA005386	Kupplungsstück
TA005387	Kerbstift DIN 1473 1,2 x 5 NR
TA005581	Druckfeder
TA005761	Schaftschraube DIN 427 M 2,5 x 4,3
TA005799	Druckfeder
TA005800	Radialkugellager 8 x 16 x 6 ALSI (2 Stück)
TA005801	Passscheibe 8,0 x 10 x 0,2
TA005803	Bohrungssprengring
TA007960	Zylinderstift
TA008768	Passscheibe 16 x 19 x 0,15



10.2 GB268R

Art.-Nr.	Bezeichnung
GB266R	Drehbarer Duraschutz zu GB265R und GB299
GB298R	Duraschutzhülse zu Craniotom GB299
GB266201	Stützfußhülse
GB266202	Einschraubbüchse
GB266203	Gleitscheibe
GB266800	Pendelfuss komplett
GB266810	Stützfuß
GB267200	Hülse
GB267203	Spindel
GB267800	Spindel komplett
GB299203	Verschlusshülse
GB299204	Spannhülse
GB299206	Lagerbüchse Z-45767
GB299207	Schlitzmutter, Sonder M 6,5 x 0,50
GB299208	Futterhülse
GB299209	Distanzrohr
GB299303	Verschlusshülse
GB299801	Stützfußhülse, montiert
GC303R	Knochenfräser zu Craniotom GB299
TA003323	Stahlkugel, 2 mm NR (3 Stück)
TA003904	Sicherungsscheibe
TA005385	Kupplungsfeder für GB130
TA005386	Kupplungsstück
TA005387	Kerbstift DIN 1473 1,2 x 5 NR
TA005581	Druckfeder
TA005761	Schaftschraube DIN 427 M 2,5 x 4,3
TA005799	Druckfeder
TA005800	Radialkugellager 8 x 16 x 6 ALSI (2 Stück)
TA005801	Passscheibe 8,0 x 10 x 0,2
TA005803	Bohrungssprengring
TA007960	Zylinderstift

10.3 GB299

Art.-Nr.	Bezeichnung
GB125110	Hebel-Oberteil (Rohteil)
GB299206	Lagerbüchse
TA003323	Stahlkugel 2 mm NR (4 Stück)
TA003904	Sicherungsscheibe
TA004018	Zylinderschraube DIN 84 M 2,6 x 6,0
TA004692	Federring DIN 7980 3
TA004797	Zylinderschraube DIN 912 M 4,0 x 10,0
TA005581	Druckfeder
TA005799	Druckfeder
TA005800	Radialkugellager 8 x 16 x 6
TA005801	Passscheibe 8,0 x 10 x 0,2
TA005803	Bohrungssprengring



AESCULAP®



CE marking according to directive 93/42/EEC
CE-Kennzeichnung gemäß Richtlinie 93/42/EWG

Technical alterations reserved
Technische Änderungen vorbehalten

TA-Nr. 011238 08/06

B | BRAUN
SHARING EXPERTISE

Aesculap AG & Co. KG

Am Aesculap-Platz
78532 Tuttlingen
Germany

Phone +49 7461 95-0
Fax +49 7461 95-2600

www.aesculap.de