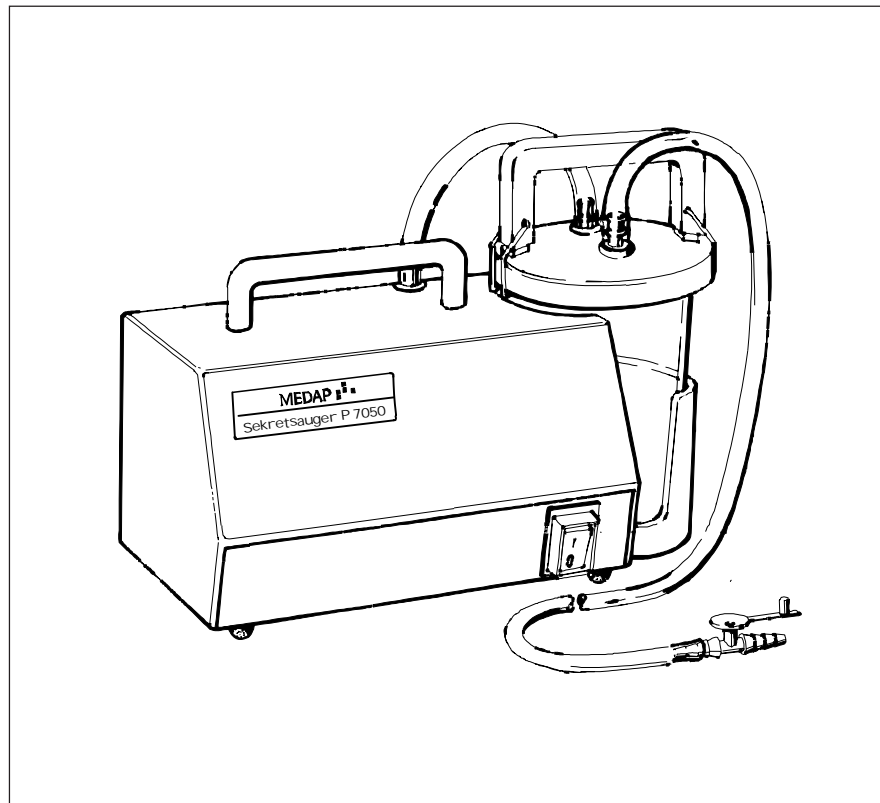


# Septic Fluid Aspirator P 7050 (P 7050 100 01 / 57505128)



## Operating Instructions

## Table of Contents

---

Explanation of the pictorial signs .....	3
What is What? (Overview) .....	4
Safety .....	5
General Description .....	6
Correct operation .....	6
Technical description .....	6
Accessories .....	7
Operation .....	8
Starting the operation .....	8
Preparation of accessories .....	8
Aspiration .....	9
Cleaning, disinfection, sterilization .....	10
Troubleshooting .....	12
Maintenance .....	12
Accessories / Consumables / Spare Parts .....	13
Technical Data .....	14
Performance data .....	14
Conditions for transportation, storage, operation .....	14
Disposal .....	15
Symbols on the device .....	15



**A prerequisite for handling this device is a detailed knowledge of and the compliance with these operating instructions.**

### **Explanation of the pictorial signs**

Pictorial signs will draw your attention to important information in this operating manual. These hints are a prerequisite for excluding potential risks for patients and operating staff as well as for the prevention of damage to the device and/or functional defects. The meaning of the pictorial signs is as follows:



STOP! - Danger for patient and operating staff



ATTENTION! - Important operating instruction



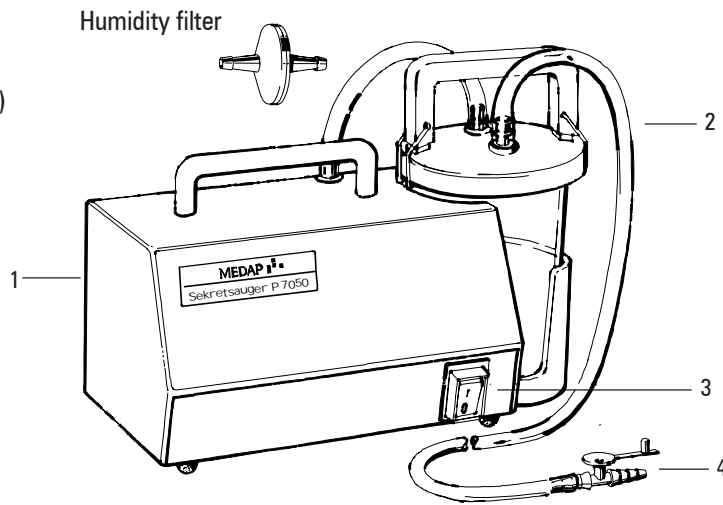
Usage tips



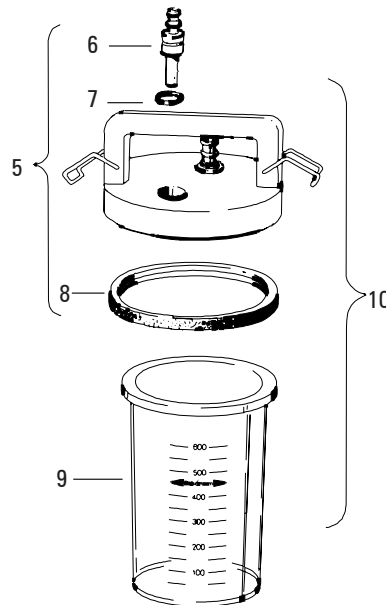
Reference to section ...

# What is What ? (Overview)

- 1 Basic aspirator
- 2 Suction tube
- 3 Rocker switch (on/off)
- 4 Finger tip control (accessory)



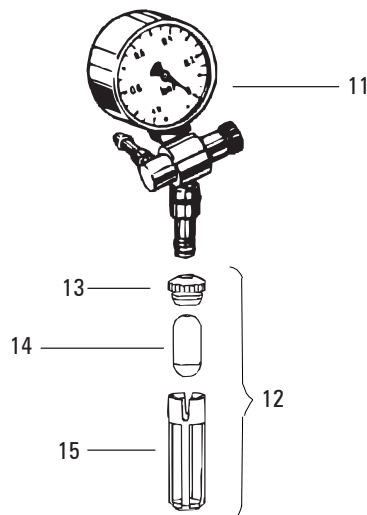
- 5 Septic fluid jar cap
- 6 Tube nipple
- 7 O-Ring
- 8 Gasket
- 9 Septic fluid jar
- 10 Suction unit



## Accessories:

Manometer with overflow prevention device

- 11 Manometer
- 12 Overflow prevention device
  - 13 Float holder
  - 14 Float
  - 15 Float cage



Additional tips you find in the operation instructions REF 57520687 / ET 0659 01.

## We care about safety!

---

These operating instructions are intended for:  
operating staff  
the user at home.

The operating instructions do not replace the careful training of personnel or user.

**Only qualified personnel are permitted to use this device in accordance with the operating instructions.**



**During aspiration of septic fluids, the applicable hygiene regulations must be complied with.**

### **Danger of fire**

The aspirator must not be used in AP-areas where there is a danger of explosions (e.g. in the vicinity of anaesthetic equipment).

### **Power supply**

The system voltage must comply with the information on the type label.

Pull the power plug before you open or clean the device.  
Fluids must never penetrate the parts in circuit.

### **Clinical application**

according to instruction by qualified personnel.



If other than original parts are used, performance and safety might be impaired.

The device must be used in vertical position only.

Do not switch on the aspirator when vacuum is present since the device might overheat.

Make sure that the aspirator has a safe stand.

In case of damages (e.g. falls) have the aspirator checked for its operational safety and have it repaired if required.

The manufacturer does not assume any liability for other applications than those specified in the user instructions or for modifications on your own initiative. Repairs must exclusively be carried out by the manufacturer or authorized qualified persons, using original components and complying with the valid safety regulations for electrical installation.

All repair work for which the use of tools is required must be carried out by the technical service.

# General Description

---

## Correct operation

The Septic Fluid Aspirator P 7050 is a small aspirator which is suitable for low flow rates and high vacuum, also in continuous operation. It is used for the aspiration of body fluids (septic fluids, blood and serous fluids) and particles contained therein from natural and artificial orifices and is intended for the temporary application on the patient in the case of septic fluid aspiration. The aspirator was designed for use in hospitals, medical practices and nursing homes and is to be operated by trained and qualified staff. It can also be used in home care after the user has been adequately trained and instructed.

Contra-indications:

The septic fluid aspirator P 7050 is *neither* suitable for use in surgery nor as a drainage aspirator. The particles contained in the gas phase might lead to an early clogging of the humidity filter.

## Technical description

In the P 7050 aspirator, the vacuum is generated by an electrically driven pumping aggregate.

The vacuum is - 0,8 bar and can be regulated with a manometer with regulating valve and overflow prevention device (accessory).

The overflow prevention device protects the aggregate from excess aspiration. If the filling level is high, the float rises in the overflow prevention device, closes off the suction tube and thus prevents fluids to flow out of the septic fluid container.

Please check the delivered goods after unpacking for completeness and compliance with the order. Also refer to your order for the supply schedule. The standard supply schedule includes the basic aspirator with power cable and a 0.7l suction unit without overflow prevention device (available as accessory) as well as the tubing incl. humidity filter and a finger tip. You can separately order a manometer with regulating valve (regulating unit). If you have any complaints please contact your supplier.



Prior to the first use, the device has to be prepared in accordance with the hygiene guidelines. (⇒Cleaning, ...).

---

## Accessories

The following basic requirements must be complied with:

- Connection between aspirator and septic fluid container (connecting tube):  
via a humidity filter; suction tube with inner diameter 6-7 mm, vacuum-resistant to -0.8 bar (must not collapse); must be sterilizable or disposable (already sterilized); a safe connection to the tube nipple of the pump and of the septic fluid jar cap as well as to the interconnected humidity filter must be ensured; max. length 50 cm +/- 10 cm.
- Humidity filter  
0.45  $\mu$  pore size, for assembly pay attention to direction, conic tube connection, outer diameter 8-11 mm.
- Container incl. cap:  
Vacuum-resistant to -0.8 bar (must not collapse); volume 0.7 l to 1 l; must be sterilizable or disposable (already sterilized); it must be possible to safely fasten the container into the holder for the septic fluid container; the tube nipple for the connection to the vacuum source must fit for the connecting tube.
- Suction tube:  
Vacuum-resistant to - 0.8 bar (must not collapse), inner diameter of tube must correspond to the tube nipple on the patient's side of the collection container, length 1.3 m; must be sterilizable or disposable (already sterilized).
- Applicator (lance, suction element etc.):  
The applicator must be selected in accordance with the inner diameter of the suction tube and must be sterilizable or disposable (already sterilized).



If an aspirator without regulating unit is used it is mandatory that a finger tip control be used on the suction tube.

Biocompatibility as well as functionality and suitability of the applicator for the respective application must be checked by the user.

Please refer to our current list of accessories, which can be ordered from our Sales Department, for authorized accessories such as disposable containers, suction units of other manufacturers, etc.

Telephone: +49 (6181) 35-400

Telefax: +49 (6181) 35-5698

# Operation

## Starting the operation



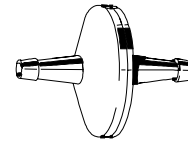
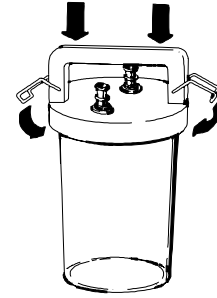
Before you connect the aspirator, check if the supply voltage corresponds to the information on the type label.

- Place the aspirator in a vertical and safe position.
- Place the septic fluid jar cap (5) onto the septic fluid jar (9).
- Use both your balls of the thumb to press down the carrying handle and have the hooks lock into the grooves of the septic fluid jar.
- Insert the suction unit (10) into the holder with the patient's side connection (white) directing to the front and connect tubing with the finger tip or the suction element.



Only use original tubes or vacuum-tested tubes in accordance with the list of accessories and pay attention to correct tubing.

- Connect suction unit with the shorter tube via the humidity filter to the aspirator (black tube nipple). Pay attention to direction of flow! The side with the text must point in the direction of the suction unit.
- Plug in power plug.
- Carry out a functional check. Switch on the device, keep the finger tip closed and check if vacuum is built up. If no or hardly any vacuum is built up, please refer to the troubleshooting table on page 12.



Installation between aspirator and septic fluid container  
Side with text pointing towards suction unit!

## Preparation of accessories

### Assembling manometer with overflow prevention device (Kit REF 57521235)

In order to regulate the vacuum and to protect the aspirator from excess aspiration, the kit "manometer with overflow prevention device" may be installed.

- Install the manometer with overflow prevention device in accordance with the instructions ET 0659 01 / REF 57520687 (included in the kit).

---

## Aspiration



Comply with the relevant hygiene regulations when septic fluids are aspirated. Only use the aspirator in a vertical position.

- Check aspirator for visible damage prior to use, e.g. ruptures or cracks in tubes or septic fluid containers.
- Replace defective parts.
- Position the aspirator in a safe position.
- Use the rocker switch (3) to switch on the aspirator.
- Attach finger tip or suction element.



If the aspirator is used without regulating unit, it is mandatory that a finger tip be inserted in the suction tube.

- Adjust vacuum: Close the finger tip control (4) with a finger, for continuous operation close suction opening with the plug.
- Aspirate septic fluid.



If frothing occurs during aspiration, use standard froth preventers since otherwise the overflow prevention device (12) might not close in the case of excess aspiration.



When the septic fluid jar is filled to two thirds (maximum) switch off the device and empty the septic fluid jar.

If septic fluid enters the aspirator, switch it off immediately and have it cleaned by the Technical Service; if required, the Technical Service will also replace components.

- If the overflow prevention device (12) was closed, the suction unit needs to be replaced.
- Re-prepare aspirator after use.

# Cleaning, Disinfection, Sterilization



Pull the power plug prior to each cleaning. Comply with the hygiene regulations and protect you eyes and skin when working with disinfectants.



Do not clean the surfaces of the housing with solvents that contain hydrocarbon (e.g. benzene, diluent).

*Efficiency of disinfection and/or sterilization is likely to be impaired by trapped or encapsulated impurities or residual humidity.*

- Clean parts thoroughly, rinse with adequate amount of water and dry parts until they absolutely dry.
- Pull power plug.
- Disconnect the suction element (10) from the tube connections and take it out of the holder.



Make sure that no residues of the septic fluid pour out of the connecting tube.

- Remove the septic fluid jar cap (5) and empty the septic fluid jar (9) in accordance with the operator guidelines.



Do not treat septic fluid containers made of polysulphone with strong acids or bases. Risk of fractures due to tension.

- Always disassembly the overflow prevention device (12) for preparation. Unscrew it from the manometer, pull off the float cage and remove the float.



Make sure that the sealing rims of the float are not damaged.

Item*	Description	Disinfection			Sterilization***		
		in solution**	Wiping, spraying with disinfectant	Aseptor	Gas	Steam 120°C****	Steam 134°C****
1	Basic aspirator		X	X	X		
9	Septic fluid jar 0.7 l	X	X	X	X	X	
5	Septic fluid jar cap						
12	Overflow prevention device						
6	Tube nipple	X	X	X	X	X	X
7	O-ring						
2	Silicone tube						
8	Seal EPDM						
4	Finger tip						
Disposables							

\* Item numbers based on diagram on page 3

\*\* Pay attention to thorough rinsing with water and subsequent drying.

\*\*\* Carefully remove contamination and residues prior to sterilization and thoroughly dry off.

\*\*\*\* Attention! Sterilization with superheated steam accelerates the natural ageing of plastics.

- 
- Remove dirt and contaminations with washing agent and continue with the treatment of the parts as detailed in the table on page 10.  
In home care, boil the removable parts at least for 20 minutes or use disinfectant.

The procedures mentioned here are only valid for original Heraeus Med components. If you use components of other manufacturers follow the procedures of the respective manufacturer.



Make sure that no fluid penetrates the aspirator.

- Carefully rinse the parts, which were disinfected in solution, with water. Dry all parts very well.  
*Residual humidity is an ideal medium for germinal growth!*



- After each cleaning check the parts for completeness and the device for proper functioning.

# Troubleshooting / Maintenance

## Troubleshooting

Defect	Reason	Corrective action
Aspirator does not run	No power	Check fuses
	Power plug does not correctly fit	Insert power plug correctly
	Power cable defective	Have device repaired
	Motor does not run	
Hardly any / no displacement	Septic fluid jar cap not correctly placed	Place septic fluid jar cap correctly
	Humidity filter clogged	Exchange filter
	Rupture in tube	Exchange tube
	Seal dirty	Exchange seal
	Seal porous	Exchange seal
	Septic fluid container full, overflow prevention device closed	Empty suction unit and clean or replace it
	Overflow prevention device contaminated with septic fluid	Remove overflow prevention device and clean it
	Tube connection in septic fluid jar cap is clogged	Clean connection
	Suction element is clogged	Clean or exchange suction element

## Maintenance

We recommend to have the device inspected by trained and qualified personnel at least once a year.

Repair work can be done by personnel trained by Heraeus Med, or call the Heraeus Med repair service. The manufacturer will supply spare part lists and other documents to trained and qualified personnel for parts which have been assessed as being repairable.



Before returning a device for repair, clean and disinfect it first.

## Accessories / Consumables / Spare Parts

---

### Accessories

Article	Article no.	REF no.
Septic fluid jar 1.0 l	PE 0214 01	57505296
Manometer with regulating valve and overflow prevention device	-----	57521235

### Consumables

Tube SIL. 6x12 per meter (2)	SL 6006 12	57505467
Humidity filter (page. 8)	AN 0023 01	57500630

### Spare parts

This list contains spare parts which can be replaced by the final user. A complete spare part list will be supplied to especially trained and qualified personnel.

Septic fluid jar 0.7 l (9)	PE 0213 01	57505295
Septic fluid jar cap (5)	PG 0115 10	57505366
Overflow prevention device (12)		
Float holder 3 pieces (13)	-----	57521274
Float 5 pieces (14)	PG 0127 01	57505382
Float cage 5 pieces (15)	PG 0128 01	57505383
Power supply cable 2.0 m	EL 0368 01	57503611
Finger tip (4)	PE 0250 01	57505324

# Technical Data

---

## Performance data

Art. no. P 7050 100 01 / REF 57505128  
Voltage 230 V AC  
Frequency 50 Hz



The septic fluid aspirator complies with the basic requirements of the guideline 93/42 EWG for medical products. Classification: IIa, Appendix II of the guideline.

Displacement	14 l/min
Vacuum (maximum) M.S.L.*	-0.8 bar at
Power consumption	50 W
Power rating	400 mA
Connected duration	100 %
Protection rating	I
Electric shock protection	Applicator type B
Moisture protection	IP X1
Dimensions (width x height x depth in mm)	340 x 190 x 250
Weight	approx. 3.4 kg
Precision class 2.5 (according to DIN 16005; this corresponds to +/- 2.5 of full scale; M.S.L. = mean sea level (1013 mbar))	

## Conditions for transportation, storage, operation

### Transportation, storage conditions :

Temperature -15 °C to +50 °C  
Rel. air humidity < 100 % rel. humidity

### Operating conditions:

Temperature +15 °C to +30 °C  
Air humidity 30 to 75 % rel. humidity

# Disposal / Symbols

## Disposal

For the manufacture of P 7050 materials are used which are utilizable or can be recycled and which do not carry a special or extraordinary risk during disposal.

Heraeus Med will recycle a device which has become unsuitable for use against payment of costs.





Prior to disposal or return of the device a potential risk of infection must be excluded by a suitable disinfection procedure.


Dispose of consumables and body fluids in accordance with the hygiene guidelines.

## Symbols

 Off

 On


 Type B appliance

 Type BF appliance

 Alternating current


 Direct current


 Appliance fuse


 Class II equipment

IP X1 Drip-proof

IP X4 Splash-proof

 Equipotential bonding connection

 Protective earth (ground)

 Attention, note enclosed documentation!

 Radio protection

 Anaesthetic Proof

 **0123**

The symbols above are intended as an overview. Not all the symbols listed here are also attached to this device.

Technical changes for improvement of product reserved.

**MAQUET GmbH & Co KG**

**Kehler Straße 31  
D-76437 Rastatt**

AUSGABE: AUGUST 2003  
REF 5752 0525

VERTRIEB: 0 18 03 / 21 21 33  
VERTRIEB FAX: 0 18 03 / 21 21 77

KUNDENDIENST / SERVICE  
TEL.: + 49 / 7222 / 932-1094

**MAQUET GmbH & Co KG**

**Kehler Straße 31  
D-76437 Rastatt**

SECTION: AUGUST 2003  
REF 5752 0525

SALES: +49 / 72 22 / 932 – 644  
FAX: +49 / 72 22 / 932 – 571

INTERNATIONAL SERVICE  
TEL.: + 49 / 7222 / 932-745