

# USER MANUAL



## Operating table SU-02

Factory no.: .....

Version 12.00



***Żywiecka Fabryka Sprzętu Szpitalnego***  
**FAMED S.A.**

Appendixes: 2, 3, A List of Spare Parts.

***As provided in the Directive on Medical Equipment 93/42/EEC of 14 June 1993 this is first risk class product.***

***The producer declares that the product meets basic requirements of the directive contained in Appendix 1.***

***The compliance procedure was carried out in accordance with appendix VII of the directive.***



**Manufacturer:**

**Żywiec Hospital Equipment Company FAMED S.A.  
Fabryczna 1  
34-300 Żywiec**

**Phone numbers:**

**Infoline (+48 33) 866 63 75 (24-hours a day)  
Head office (+48 33) 866 62 00  
Marketing Department (+48 33) 866 63 00 ...02  
Export Department (+48 33) 866 62 50 ... 52  
Service (+48 33) 866 63 25  
Fax (+48 33) 861 48 37**

***Medical device was registered at Registration Office of Healing Products, Medical Products and Bio fight Products under no: PL/ DR 00 05 28***

*Dear Clients,  
Congratulations on choosing the right product, we wish you would find a lot of satisfaction while operating it.*

*Please read this manual very carefully as it includes all the vital information and notes from the producer concerning proper installation and maintenance of the product as well as its service.*

**Żywiecka Fabryka Sprzętu Szpitalnego  
FAMED S.A.**

**General notes**

- *The use, maintenance as well as servicing of this product performed in other ways than those, which have been stated in this manual is forbidden and may result in damages, which will encumber the user and which will not be a matter of producer's responsibility.*
- *When the operation and parameters of the product do not match the description in item 'Operation' in this manual, the use of the product is not allowed and any defects have to be reported to the producer or the supplier.*
- *Every repair of the product must be done by a factory or an authorized service and recorded on the list of repairs, which is supplied with the guarantee certificate. Disregarding this requirement will cause the guarantee for the product to be invalid.*

**Notes concerned with safety**

*The sign shown below says: 'Caution – pay special attention to the Operating Manual'.*



*A label showing this sign is placed on any parts or mechanisms, which may prove to be harmful to the patient or the personnel if their operation does not comply with the descriptions found in this Operating Manual.*

- *Throughout surgical procedures table wheels should be blocked.*
- *When using the table close to medical equipment working on high frequencies and defibrillators one should closely follow operating instruction for that equipment. Improper operation may become a source of dangerous accidents. There is a danger of serious burning of the patient through the contact with metal parts of the table or its equipment.*
- *Throughout surgical procedures the table must be connected to the installation of potential equalization in the operations room.*

- ***When performing longitudinal (Trendelenburg or reverse Trendelenburg) and lateral tilting, patient should be secured against uncontrolled sliding down from the operating table. Use shoulder supports, supporting rollers, side supports, belts and grips as securing elements.***

### **Notes concerning: start-up, operation and use**

- ***When anti-trendelenburg function is performed, footrests may collide with the basis***
- ***The floor under the table should be free from any obstacles***
- ***When rolling the table avoid collisions***
- ***Do not roll the table over electric cables***
- ***If it is necessary to replace oil (dangerous waste), one should follow existing environmental protection regulations***

### **Notes concerning cleaning and disinfecting**

- ***The product must not be disinfected in disinfecting chambers!***
- ***No disinfecting agents containing alcohol are allowed for cleaning of polyurethane elements (mattresses).***
- ***No bleaching agents (containing active chlorine or oxygen), caustic or corrosive chemicals are allowed!***
- ***No agents destroying the structure of plastic (organic solvents) can be applied to the plastic elements!***

***Disregarding the above requirements concerning cleaning and disinfecting shall result in losing the guarantee for the product!***

---

## CONTENTS

<b>1. PROPER USE AND APPLICATION .....</b>	<b>6</b>
1.1. APPLICATION.....	6
1.2. GENERAL REQUIREMENTS.....	6
1.3. DUTIES OF THE USER .....	6
1.4 DESCRIPTION OF THE PRODUCT.....	6
1.5 DESCRIPTION OF ELEMENTS.....	7
1.6 TECHNICAL SPECIFICATIONS.....	9
1.7 USE PARAMETERS.....	10
1.8 SAFETY.....	11
1.9 CRITICAL PARAMETERS.....	11
<b>2 TRANSPORT AND FIRST USE.....</b>	<b>12</b>
2.1 TRANSPORT.....	12
2.2 UNPACKING AND FIRST USE.....	12
<b>3 OPERATION AND USE.....</b>	<b>13</b>
3.1 RAISING AND LEVELLING OF TABLE TOP.....	13
3.2 LONGITUDINAL TILT OF THE TABLE-TOP.....	13
3.3 TABLE TOP SIDE INCLINATION.....	14
3.4 CHANGE OF ANGULAR POSITION OF THE BACKREST SEGMENT.....	14
3.5 CHANGE OF ANGULAR POSITION OF KIDNEY BENCH .....	14
3.6 CHANGE OF ANGULAR POSITION OF THE FOOTRESTS.....	14
3.7 CHANGE OF ANGULAR POSITION OF DIVIDED FOOTRESTS .....	15
3.8 ROTATION OF THE FOOTREST.....	15
3.9 INSTALLATION AND REMOVAL OF THE FOOTREST.....	15
3.10 INSTALLATION AND OPERATION OF THE HEADREST.....	15
3.11 INSTALLATION AND DISMOUNTING OF MATTRESSES.....	16
3.12 TABLE MOBILITY.....	16
3.13 ANTISTATIC PROPERTIES.....	16
3.14 POTENTIAL EQUALISING CLAMP .....	16
3.15 COLLISIONS.....	17
<b>4 INSTALLATION AND OPERATION OF ACCESSORIES.....</b>	<b>18</b>
<b>5 CRITERIA ON WHOSE BASIS IT IS ASSESSED WHETHER PRODUCT OPERATION IS CORRECT OR NOT.....</b>	<b>19</b>
<b>6 TABLE MAINTENANCE.....</b>	<b>19</b>
6.1 STORAGE .....	19
6.2. CLEANING AND DISINFECTING .....	20
6.3. DAMAGES AND DEFECTS.....	20
6.4. REPAIRS AND INSPECTIONS.....	20
CONTROL OF TECHNICAL CONDITION.....	21
6.5. CONTROL OF TECHNICAL CONDITION.....	21
6.6. LOCATION OF DEFECTS AND THEIR REMOVAL.....	21
6.7 PRODUCT LIQUIDATION.....	22
<b>7. TABLE IDENTIFICATION.....</b>	<b>22</b>
7.1. NAMEPLATE.....	22
7.2 LABELS.....	23

## 1. Proper use and application

### 1.1. Application

Operating table SU-02 is designed for supporting the patient during carrying out treatments and operations. The table with proper accompanying equipment can be used for procedures of general surgery, vascular surgery, cardiosurgery, neurosurgery, urology, gynecology, proctology, ENT, endoscopy, laparoscopy, ophthalmology, trauma surgery, oncology surgery, dental surgery, plastic surgery and others. Segments of the table-top are radiotransparent.

### 1.2. General requirements

The product is intended to be used indoors. Required climatic conditions: temperature from +10 to +40°C, acceptable change of surrounding temperature during 8 hours should not exceed 20°C, relative humidity of the air should range from 30 to 80%, atmospheric pressure from 700 to 1060 hPa. The product should be used, maintained and serviced according to the instructions contained in this manual.



**Using, maintaining and servicing the product in other way than indicated in this manual is not permitted and may lead to damages for which the user is to blame and for which the producer is not responsible.**

**Caution!** Installation of other accessories than those offered by the producer for the product is allowed only on the basis of a written acceptance of the producer.

### 1.3. Duties of the user

**User:** any individual or corporate body who uses the product as its owner, lessee, pledgee or who has a different right to the product as well as an entity who uses the product on its own or on whose behalf it is used.

The user must ensure that the product shall be used exclusively in conformity with its destination and that it is used in appropriate conditions and in consistence with this manual. The user is also obliged to take all necessary precautions in order to prevent all life and health hazards concerning the user, patients and any third party. Only authorised persons who underwent special training and are acquainted with this manual may operate the product. The user must also ensure that all persons who operate the product have read, understood and apply instructions contained in this manual.

### 1.4 Description of the product

The table consist of table base and table top.

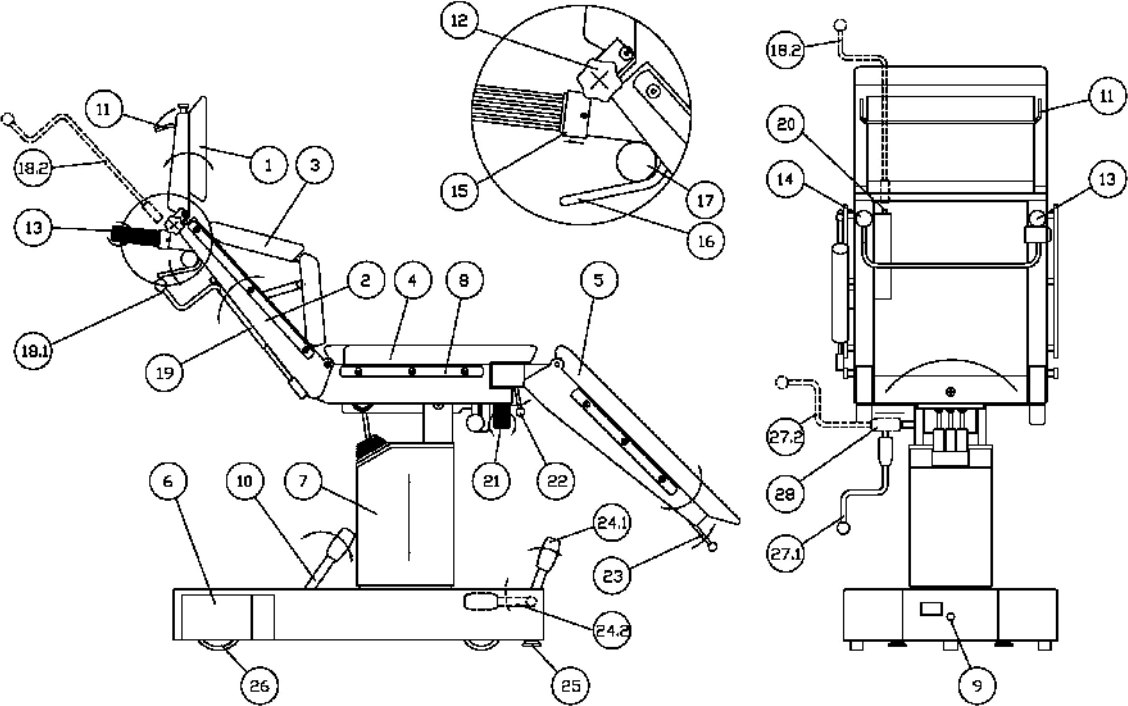
The table has a mobile base (standard or Supermobile – with large wheel), equipped with central blockade, which is released with a foot lever. The top of the operation table is permanently attached to the base. The table-top consists of segments, and their number and configuration is deliver according to a customer order. The table top is X-ray permeable. The table top is provided with polyurethane mattresses. On both sides of the table top there are side strips which allow to install accessories. Adjustments of the position of individual segments, as well as column movements are performed by mechanical systems.

Thanks to the wide range of offered accessories the table can be used for different types of operations according to client wish. List of accessories can be found in Paragraph 4 - Installation and operation of accessories.

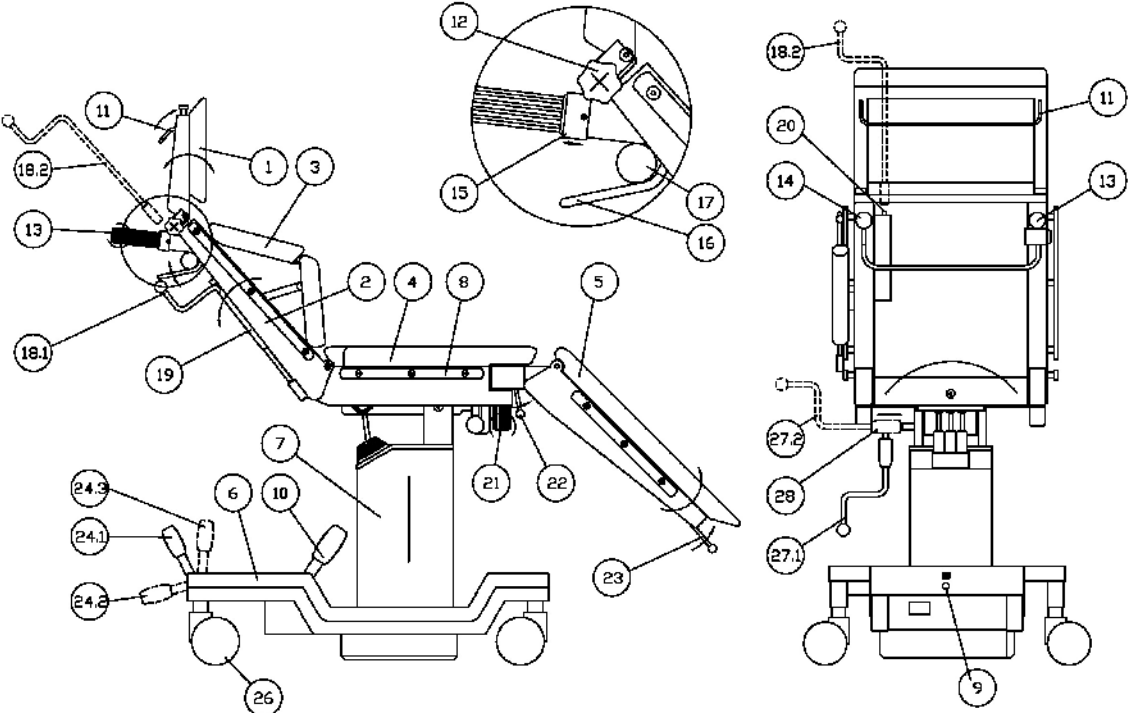
**The producer reserves the right to introduce in the product structural modifications resulting from technical progress which are not covered in this user manual.**

**The producer reserve that all parameters and accessories can be modified or change especially construction, technology and materials, not lowering accepted parameter technically-user and safeties of products.**

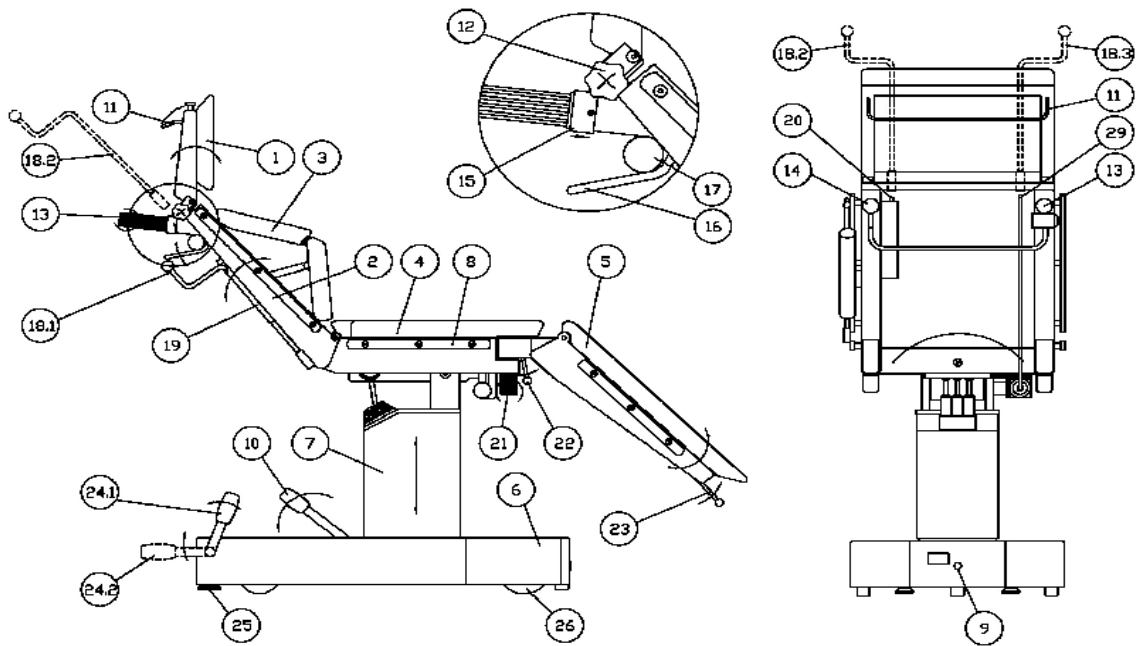
1.5 Description of elements



drawing 1 Operating table SU-02 (standard version)



drawing 2 Operating table SU-02 (Supermobile version)



drawing 2 Operating table SU-02 (version with steering panel on the head side)

item on drawing 1-3	Description
1	Headrest
2	Backrest segment
3	Kidney bench
4	Seat segment
5	Footrest segment
6	Base
7	Column
8	Side strips
9	Potential equalising clamp
10	Hydraulic pump pedal (adjustment of table-top height)
11	Headrest angle change lever
12	Bolster blockade knob
13	Longitudinal tilt handle
14	Handle
15	Handle turn block
16	Backrest segment angle change lever
17	Blockade of lever of back support angle adjustment
18	Kidney bench crank
18.1	- storage position
18.2	- adjustment position of kidney support
18.3	- adjustment position of lateral tilt
19	Crank sleeve of kidney support
20	Screw of kidney support mechanism
21	Footrest restoring knob
22	Footrest blockade lever
23	Footrest angle change lever
24	Pedal of central wheel blockade / feet ejection
24.1	- wheel unblocked position / feet elevated
24.2	- wheel blocked position / feet lowered
24.3	- direction blockade position
25	Feet
26	Wheels
27	Crank for side inclination angular change
27.1	- rest position
27.2	- work position
28	Blockade of lateral tilt angle knob
29	Shaft of lateral tilt device



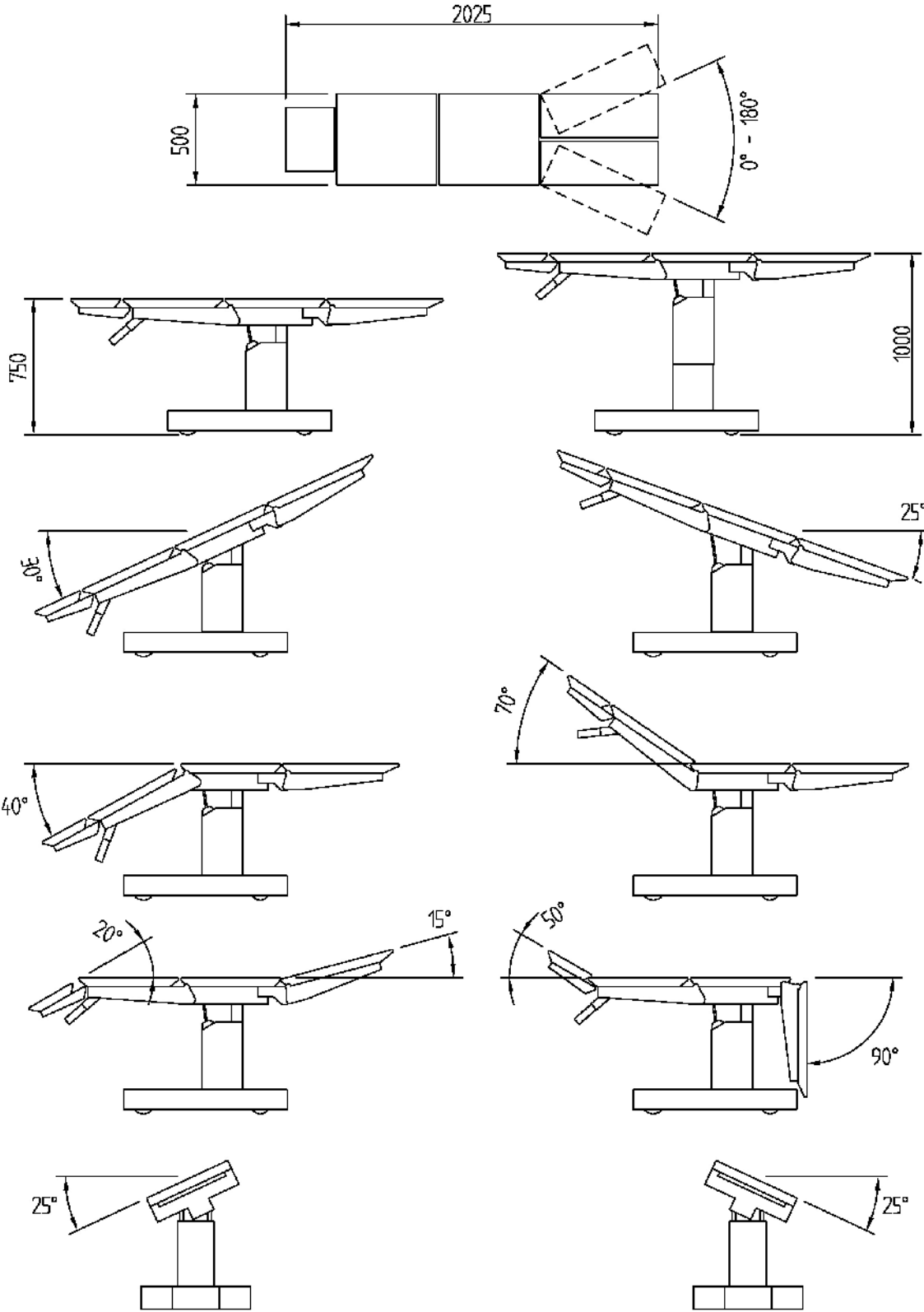
## 1.6 Technical specifications

• Total length of table top (4 and 5 sectional table top)	2025mm ± 15 mm
• Total length of table top (6 sectional table top)	2160mm ± 15 mm
• Total table-top width (with slats)	550 mm ± 5 mm
• Width of mattress	500 mm ± 5 mm
• Minimum height of the top from the floor	750 mm ± 15 mm
• Maximum height of the top from the floor	1000 mm ± 15 mm
• Backrest raise angle	70°
• Backrest lowering angle	40°
• Kidney bench raise angle	110°
• Footrest raise angle (4 and 5 sectional table top)	15°
• Footrest raise angle ( 6 sectional table top)	45° (+45°)
• Footrest lowering angle	90°
• Footrests widening angle	180°
• Angle of side inclination	± 25°
• Headrest raise angle	50°
• Headrest lowering angle	20°
• trendelenburg	30°
• anti-trendelenburg	25°
• Table weight	about 195 kg
• Nominal working load	150 kg
• Usage time	10 years

**For the special client request it's possibly to produce the product with change parameters, not lowering it's safety.**

**1.7 Use parameters**

The figure below indicates the most important functional parameters of the table.



drawing 4

### 1.8 Safety

The structure of the table assures its safe operation and use if the rules provided in this manual are followed.

#### Caution!

The sign shown below says: “Caution – pay special attention to the Operating Manual”.



A label showing this sign is placed on any parts or mechanisms, which may prove to be harmful to the patient or the personnel if their operation does not comply with the descriptions found in this Operating Manual.

When operating the table one should pay attention to elements and mechanisms with this label.

- *Throughout surgical procedures table wheels should be blocked.*
- *When using the table close to medical equipment working on high frequencies and defibrillators one should closely follow operating instruction for that equipment. Improper operation may become a source of dangerous accidents. There is a danger of serious burning of the patient through the contact with metal parts of the table or its equipment.*
- *Throughout surgical procedures the table must be connected to the installation of potential equalization in the operations room.*
- *When locking a set position of the footrest, pay attention that the toothed bars are correctly meshed.*
- *When performing longitudinal (Trendelenburg or reverse Trendelenburg) and lateral tilting, patient should be secured against uncontrolled sliding down from the operating table. Use shoulder supports, supporting rollers, side supports, belts and grips as securing elements.*

### 1.9 Critical parameters

Maximum work load

Maximum authorized segment load

-head rest	10 kg
-back rest segment	55 kg
-seat segment	55 kg
- foot rest (simple)	15 kg
- foots rests (both load at the same time)	30 kg

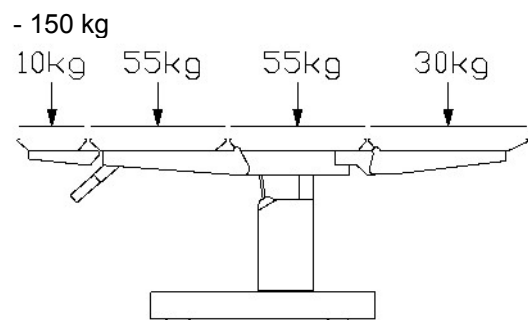


fig.5

## 2 Transport and first use

### 2.1 Transport

There is a possibility to transport the product by any covered transport means. While transporting, it is necessary to immobilize the truck and protect it against moisture. In case of lack of original packaging, the product should be properly secured in order to prevent its damage, preferably by experienced transport company.

The transport conditions are as follows:

- temperature: from  $-20^{\circ}\text{C}$  to  $60^{\circ}\text{C}$ ,
- relative humidity: from 20% to 80%.

While product transporting, storage and unpacking, the temperature gradient should be less than  $10^{\circ}\text{C}$  per hour. It is strongly recommended to unpack the product after reaching room temperature.

Laminar storage is permissible in accordance with the packaging marking. In the absence of the marking, storied storage is prohibited.

In case of the specific transport conditions (particularly: low temperature transport), it is necessary to negotiate the way of transport and product packaging with the product manufacturer in order to ensure safe transport.

### 2.2 Unpacking and first use



**If the product is installed by an authorised service of FAMED S.A., the user is released from the obligation to perform the activities described in this item.**

#### Caution!

The table is shipped by the producer in an assembled form in a wooden, open-work chest or in a cardboard box with the following dimensions L:1340 x W:700 x H:890 mm and weight 200 kg. To avoid damaging of the product, it should be unpacked and installed in the building.

To prepare the table for operation after its transport or delivery one should:

- read carefully product operating manual
- take off the fastening tapes
- remove the package
- remove the materials protecting the table during its transportation.



#### Caution!

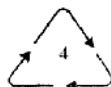
**Package may be marked with following signs:**



- multiuse package



- package for recycling



low-density polyethylene packaging

**LDPE**

**Package waste is recyclable and should be segregated before removed to a disposal site. Returnable packaging should be returned to the producer of the medical product.**

- take out equipment
- place the footrest horizontally (*item 3.5 Change of angular position of the footrests*)
- remove blocking elements of the table,

- release the central blockade of wheels (item 3.10 *Table mobility*)
- with an assistance of a few people, carefully and slowly remove the table from the pallet, then block the wheels
- add the headrest (item 3.11 *Installation and operation of the headrest*)
- place the product in its destination which meets the requirements described in this manual (item 1.2 *General requirements*),
- on the basis of information given in item 3 *Operation* check whether the table works as described in item 5 *Criteria on whose basis it is assessed whether product operation is correct or not*.
- 



**Caution!**

If the product is not fully functional, i.e. the output parameters differ from the description contained in this manual, the bed must not be used. This situation should be reported to the producer or supplier. The use of an improperly functioning product may result in damages, which will encumber the user and which will not be a matter of producer's responsibility

### 3 Operation and use

#### 3.1 Raising and levelling of table top

Height of table top is changed within the scope defined in technical data by pressing of the lever (drawing 1-3, item 10) of the hydraulic pump. Table top is lowered when the lever is raised. The foot pump installed in the table does not additional operation or maintenance.

#### 3.2 Longitudinal tilt of the table-top

to adjust longitudinal tilt of the table-top (trendelenburg and anti-trendelenburg), you should stand behind the backrest, put both hands on the handles (drawing 1-3 item 13 and 14), turn the right handle clockwise till you feel resistance (which releases the blockade of gas springs) and place table top in the required position (within the range of angles given in technical data). When you release the right handle, the table will be locked in the position. Additionally after aggressive discharge of the right handle an automatic return of its rotation blockade should follow. That is belonged to make sure for this fact through another test of handle turning (to the right) without blockade releasing, rotation of the handle should be impossible for execution.

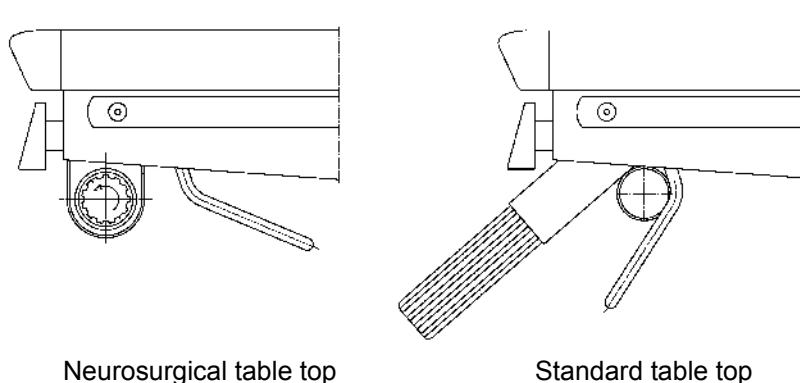


Fig. 6

In neurosurgical table top the handle which is placed on the right side of the back rest segment should be put forward and turn to the headrest side.

It belongs to dismiss the handle after receiving of demanded side.



**Caution!**

When performing longitudinal (Trendelenburg or reverse Trendelenburg) and lateral tilting, patient should be secured against uncontrolled sliding down from the operating table. Use shoulder supports, supporting rollers, side supports, belts and grips as securing elements.

Make sure, that the rotation blockade of the right handle of longitudinal tilt prevents its rotation!

### 3.3 Table top side inclination

#### *Standard and Supermobile version of table*

Lateral tilt of the table-top (within range specified in technical data) is performed with the use of the crank (Fig. 1-2, position 27), located on the side of the table under the seat segment. In order to adjust an angle of lateral tilt it is necessary to unfold the crank to the work position (Fig. 1-2, position 27.2) and block it by pushing the blockade (Fig. 1-2, position 28) toward the column, and then by turning the crank clockwise or counterclockwise adjust the angle of the table-top to the desired position. After adjustment of the table-top put the crank in the rest position (Fig. 1-2, position 27.1) by pushing the blockade toward the surgeon, and then folding it downward.

#### *Version of the table with control panel on the head side*

Lateral tilt of the table-top (within range specified in technical data) is performed with the use of the crank (Fig. 3, position 18), placed in a sleeve (Fig. 3, position 19) located on the left side of the table-top. In order to adjust the angle of lateral tilt place the crank on the shaft of lateral tilt device (Fig. 3, position 29), which is located on the right side of back support. Then by turning the crank clockwise or counterclockwise adjust the table-top to the desired position. Unused crank should be stored in the sleeve (Fig. 3, position 19) located on the left side of the table-top



**Caution!**

*When performing longitudinal (Trendelenburg or reverse Trendelenburg) and lateral tilting, patient should be secured against uncontrolled sliding down from the operating table. Use shoulder supports, supporting rollers, side supports, belts and grips as securing elements.*

### 3.4 Change of angular position of the backrest segment

Angle adjustment of the position of the back support segment (Fig. 1-3, position 2) is performed by muscle force with a gas spring back-up. In order to adjust the segment position push the blockade (Fig. 1-3, position 17), lift the lever (Fig. 1-3, position 16), then adjust the segment to the desired position and release the lever (Fig. 1-3, position 16). Lever release blocks the mechanism of back support segment and further move is impossible. It is important to remember to hold the segment with both hands when adjusting the position. Thanks to the central position of the lever the backrest segment can be operated from the right, from the left and from behind the backrest segment.



**Caution!**

*If a patient is very heavy, over 90 kg, the angle of backrest segment should be changed with particular care; one should be prepared that it would be necessary to use considerable force to move it up and to cushion lowering at the moment of lever release (drawing 1-3 item 16).*

### 3.5 Change of angular position of kidney bench

Angle adjustment of the position of kidney support (Fig. 1-3, position 3) is performed with use of the crank (Fig. 1-3, position 18), placed in the sleeve (Fig. 3, position 19) located on the left side of the table-top. In order to adjust the position of the kidney support place the crank (Fig. 1-3, position 18.2) on the screw of support mechanism (Fig. 1-3, position 20). Then by turning the crank clockwise or counterclockwise adjust the support to the desired position. Unused crank should be kept in the sleeve (Fig. 1-3, position 19) located on the left side of the table-top.

### 3.6 Change of angular position of the footrests

Angular position of the footrest is changed within the range defined in technical data by simultaneous levering of the lever (drawing 1-3 item 23) and raising or lowering of the footrest segment to the required level. When the pressure is removed from the lever, the mechanism is locked and the position of the footrest determined.



**When the anti-trendelenburg function is performed, the footrests may collide with the base!**

**Caution!**

### **3.7 Change of angular position of divided footrests**

In order to change the angular position of divided footrest one should unscrew knob 1 or 2 (depending on which of the footrest parts you want to adjust) till the toothed bars are out of mesh. The footrest should be positioned in the required position and the adjusting toothed bar should be locked by turning of knob 1 or 2.

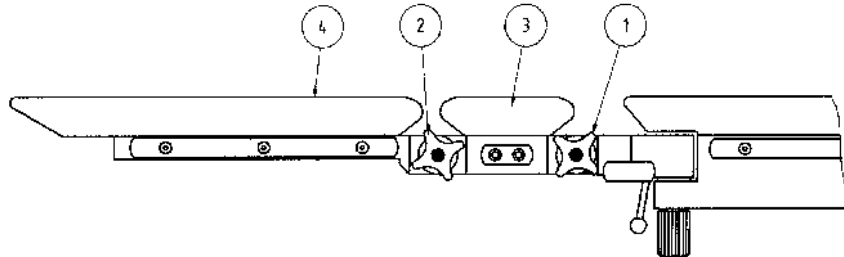


Fig. 7



**When one locks a set position of the footrest, one should make sure that the toothed bar is correctly meshed.**

**Caution!**

### **3.8 Rotation of the footrest**

In order to put the footrests apart, the knob (drawing 1-3 item 21) shall be turned anticlockwise, that causes toothed bar separation by a few mm and in that way the foot segment may be rotated around vertical axis within the range provided in technical data. In order to lock the footrest the knob shall be turned again but this time clockwise, then toothed bar will mesh and footrest movement will be locked.



**Toothed bars must be correctly meshed! When the knob is being turned down, one should check if the toothed bars are meshed.**

**Caution!**

### **3.9 Installation and removal of the footrest**

The footrest may be placed and removed from the seat segment thanks to the mechanism which is moved by the lever (drawing 1-3 item 22). In order to remove the footrest segment one should hold the segment by its bottom, pull the lever towards the segment (drawing 1-3 item 22) and take the segment out of the hole in the seat segment. The footrest segment is installed by placement of the mandrel of the segment in the opening in the seat segment and simultaneous pulling back of the lever. When the segment is installed one should release the lever which thanks to a spring will get into its initial position.



**The segment should be held before the lever is released!  
Make sure that the lever is in the right position!**

**Caution!**

### **3.10 Installation and operation of the headrest**

The headrest is fastened on installation wedges which are situated at the end of the backrest segment using a knob. When the headrest is put on the stripe, one should determine its position by screwing down the screw (drawing 1-3 item 12). The headrest is dismantled by unscrewing of the screw and removal of the headrest from the stripe. The angle of the headrest is changed similarly to the backrest

segment, that is, by the handle which moves the mechanism of the gas spring. When the lever is pressed, the required angle of the headrest may be chosen. Its release locks the headrest in the chosen position.



**Make sure that the headrest is locked!**

**Caution!**

### **3.11 Installation and dismantling of mattresses**

All mattresses can be removed without any tools. They are fixed on fixing pegs.

### **3.12 Table mobility**

The table may move in all directions thanks to wheels fastened on its base. The table is provided with movement blockade which is used during operations and procedures performed on the table.

#### *Standard version and version with control panel on the head side*

The table in this version is equipped with two feet, lowering of the feet cause the wheels to elevate and loose contact with the floor, so that the table can not be rolled. Screwing or unscrewing of the feet allows adjusting their projection. In order to lower the feet push the pedal toward the floor until you feel resistance (Fig. 1,3, position 24.2). In order to elevate the feet lift the pedal to the upright position (Fig. 1,3, position 24.1).

#### *Supermobile version of the table*

The table in this version is equipped with central blockade of every wheel.

Pedal of central blockade has three positions:

- upper –direction blockade (Fig. 2, position 24.3),
- middle- all wheels unblocked (Fig. 2, position 24.1),
- lower – all wheels blocked (Fig. 2, position 24.2).

In “direction blockade” position one of the wheels is set for straight rolling. This position is used to roll the table through long, straight distances, it facilitates turning the table. All-wheels blockade make the table immobilized



**Throughout surgical procedures table wheels should be blocked.**

**The floor under the table must be free from any obstacles!**

**When rolling the table avoid collisions!**

**Caution! Do not roll the table over electric cables!**

### **3.13 Antistatic properties**


Table construction allows grounding of static charge through the following routes:

- By antistatic wheels to conducting floor,
- By potential equalisation clamp.

Operating table SU-02 should be used on antistatic floor. In case there is no such floor, a static charge is grounded through the cord for potentials equalization. The potential equalising conductor is a standard table accessory.

Antistatic properties of the table shall be maintained if mattresses produced by FAMED S.A. are used.

### **3.14 Potential equalising clamp**

SU-02 operating table have inside system of potential equalization leading to the clamp (fig. 1-3, item 9) marked by symbol .





**Throughout surgical procedures the table must be connected to the installation of potential equalization in the operations room.**

**Caution!**

The cable is provided in standard table accessories.

### **3.15 Collisions**

In some extreme positions of the table, in particular, when accessories installed on side stripes are used, mechanical collisions may take place. Because of that, one should protect the table and accessories from damages.

## 4 Installation and operation of accessories

The following extra accessories may be provided with the operating table SU-02:

	<b>accessory</b>	<b>Symbol</b>
1	Screen frame	WS-01.5
2	Screen frame with width regulation	WS-01.6
3	Hand grip	WS-02.5
4	Thigh grip	WS-03.5
5	Shank grip	WS-04.5
6	Knee support	WS-05.5
7	Left and right arm support	WS-06.5
8	Hand angular support	WS-07.5
9	Big supporting bolster	WS-08.5
10	X-ray tray	WS-11.5
11	Trolley for accessories	WS-13.5
12	Grip for anaesthesiologic pipes	WS-14.5
13	Table for tools	WS-15.5
14	Single position stripe	WS-16.5
15	Multiposition clamp mechanism	WS-17.6
16	Multiposition clamp mechanism with shift	WS-17.7
17	Tray for X-ray plate	WS-19.6
18	Specialist headrest	WS-21.5
19	Laryngology-ophthalmic headrest with track	WS-21.7
20	Head rest for cervical kerb	WS-21.8
21	Hand support	WS-22.5
22	Body strap	WS-23.0
23	gynaecologic attachment	WS-28.5
24	urological attachment	WS-29.5
25	Proctologic attachment	WS-30.5
26	Complete handrails	WS-32.5
27	Side x-ray handle	WS-33.0
28	Wrist grip	WS-34.5
29	attachment do arthroscopy	WS-39.5
30	attachment for meniscus operation	WS-40.5
31	Belly belts	WS-41.0
32	Footrest belts	WS-42.0
33	Hand belt	WS-43.0
34	Thigh belt	WS-44.0
35	specialist head bolster - narrow	WS-45.5
36	specialist head bolster - wide	WS-46.5
37	attachment for hand surgery	WS-47.5
38	A support for hand surgery	WS-48.5
39	Womb support	WS-49.5
40	Side support	WS-50.5
41	Side rest with lever	WS-50.6
42	Chest support	WS-52.5
43	side stripe lengthening unit	WS-53.0
44	Shoulder side rest	WS-59.5
45	Lithotomic stirrups	WS-64.5
46	Mattress for backbone	WS-65.0

47	Semi-bolster	WS-66.0
48	Bolster for neck	WS-68.0
48	Bolster for neck	WS-68.0
49	Head bolster	WS-69.0
50	Upper arm operating support	WS-87.5
51	Roller lift	WS-88.5
52	Sieve for urological bowl	WS-89.5
53	Not-divided leg-rest	SG-42.0
54	Gynaecological-urological section	SG-44.0
55	Drip hanger	WK-01.5
56	Orthopaedic attachment	SO-09
57	Orthopaedic attachment	SO-08.3
58	Gynaecological attachment	STIRRUPS
59	Neurosurgery attachment	DORO

When ordering table accessories, please give table's name and symbol.

The producer reserve the right to modify accesoriec according to clienr requirements and produce new accesories complaing with norm of safety.

## 5 Criteria on whose basis it is assessed whether product operation is correct or not



**Caution!**

Correctness of table operation shall be checked every day before the beginning of its operation.

The method of checking whether operation of the table is correct:

1. Check stability of the table when its feet are down by trying to move the table manually: pushing of the table in any direction should not cause tilting or moving.
2. Check mechanisms of adjustment of location of the segments controlled by gas springs by a change of position and the lock (see item 3 *Operation*). The mechanism should work without jamming, after locking the segment cannot change its position (check by manual pressing of the segment).
3. Check if there are no mechanical plays by manually moving the top of the table.
4. Check the work of the hydraulic system by raising of table column using the foot pump.

If the table underwent the above described tests with positive results and there were no disturbing sounds (squeaks and grinds), the table can be used safely.

Otherwise see item 6.6 '*Location of defects and their removal*'.



**Caution!**

If the product is not fully functional, i.e. the output parameters differ from the description contained in this manual, the bed must not be used. This situation should be reported to the producer or supplier (dealer). The use of an improperly functioning product may result in damages, which will encumber the user and which will not be a matter of producer's responsibility.

## 6 Table maintenance

### 6.1 Storage

If the product is not to be used for a longer period of time, it should be stored in the below mentioned climatic conditions:

- temperature: 25° ±10°C,

- relative humidity: 50% ± 25%.

## 6.2. Cleaning and disinfecting

For cleaning and disinfecting use cleaning solutions free from bleaching agents (active oxygen or chlorine), recommended by Famed S.A. in Annex 2 to this manual (allowed to turnover and use on the territory of the country, where they are used)

After disinfecting wash the product with distilled water to remove stains.

After disinfecting dry thoroughly.

Dry with hot air (max. temp. 60°C) or by wiping with a soft sterile cloth.

Cleaning and disinfecting should be carried out in accordance with Appendix 4.



**The product must not be disinfected in disinfecting chambers. Bleaching (containing active chlorine or oxygen), caustic and corrosive agents must not be used.**

**Caution!** No agents destroying the structure of plastic (organic solvents) may be applied to the plastic elements.

**Before cleaning or disinfecting disconnect from mains!**

**During cleaning and disinfecting of the control be particularly careful. If the control gets drenched, dry it as soon as possible and dry its edges with a cloth!**

**Disregarding the above requirements concerning cleaning and disinfecting shall result in losing the guarantee for the product.**

## 6.3. Damages and defects

Damages and defects found in the product or product accessories should be reported immediately to a person in charge of such issues. The bed which can not be safely operated (e.g. damaged electric or mechanical elements ) must not be used till it is repaired.

## 6.4. Repairs and inspections

Repairs are done by the producer or an authorised service. The user can not carry out any repairs on his own unless he has undergone special training or has been authorised to do that. When the producer has given his written permission for repair of the product by client's technical staff, the producer shall provide the client with necessary charts, lists of spare parts, descriptions and information on repairs.

The producer allows only to use original spare parts. In order to provide safe and reliable operation of the product one should use only spare parts provided by the producer. Worn out parts shall be removed as provided in environmental protection regulations.



**The product contains products which may be dangerous to the environment:**

**- oil (pneumatic spring),**

**Caution!** The rules of proceeding with used products which may be dangerous to the environment are defined in regulations related to proceeding with waste.

Repairs and maintenance must be performed only by qualified personnel. If a product is operated outside Poland, one should inform about a necessity of a repair a producer or the dealer from whom the product was purchased.

**Every repair of the product must be recorded on the list of repairs enclosed with the guarantee certificate.**

### 6.5 Control of technical condition

In order to ensure safe and proper technical condition of the product during the whole life of the product, the product should undergo periodical technical inspections to be carried out by the producer, an authorised service or authorised and trained technical staff of the customer (at the expense of the user).

Only a positive result of product inspection can be the basis for its further operation.

The required service and its frequency are shown in the table below.

<i>Subject of inspection</i>	<i>frequency</i>
- Checking functionality and general technical condition (according to service instructions)	Every 12 months



Every repair of the product should be recorded on the list of repairs enclosed to the guarantee card on pain of guarantee loss!

**Caution!**

### 6.5. Control of technical condition

In order to provide safe and correct operation during product life, the user should perform the following activities every six months:

Table basis	<ul style="list-style-type: none"> <li>– Check screw joints and protections on pivot bolts</li> <li>– Check whether the lock and table moving system work</li> <li>– Check the hydraulic pump</li> <li>– Check whether gas springs work correctly</li> </ul>
Table top	<ul style="list-style-type: none"> <li>– check whether the trendelenburg mechanism works correctly</li> <li>– check whether the blockade of footrest fixing clamp works properly</li> <li>– check whether gas springs work correctly</li> </ul>
Accessories	<ul style="list-style-type: none"> <li>– check functionality</li> <li>– check whether blockades work correctly</li> </ul>
Potential equalising cable	<ul style="list-style-type: none"> <li>– check the condition of insulation (cracks)</li> <li>– check how good the connection is</li> </ul>

A checkout should involve a visual inspection and the noticed malfunctions should be handled as provided in *item 6.6 Location of defects and their removal*.

### 6.6. Location of defects and their removal

A list of repairs which may be carried out by the client on his own.

<i>damage</i>	<i>Possible cause</i>	<i>removal</i>
The table cannot be moved	locked wheels	Unlock blockade pedal
The trendelenburg mechanism does not work	The mechanism of trendelenburg wire wrongly adjusted	Regulate wire mechanism in accordance with the item: Table repairs and adjustment
The table is not stable	Wrong adjustment of table feet	Unscrew or screw down feet with a wrench
Plays in screw joints	Plays appeared during product operation	Screw down with generally available wrenches

If the fault cannot be eliminated, put the product aside and call the repair department, local service center or FAMED S.A's service.

## 6.7 Product liquidation

If the customer resign from further product exploitation, he is obliged to product liquidation according to rules of environment protection, detailed information is situated in annex no. 3.

## 7. Table identification

When sending/ asking any questions concerning the table and when ordering spare parts, please give the serial number of the table placed on the nameplate and the guarantee certificate.


The second nameplate is located under column casing (covered).

### 7.1. Nameplate



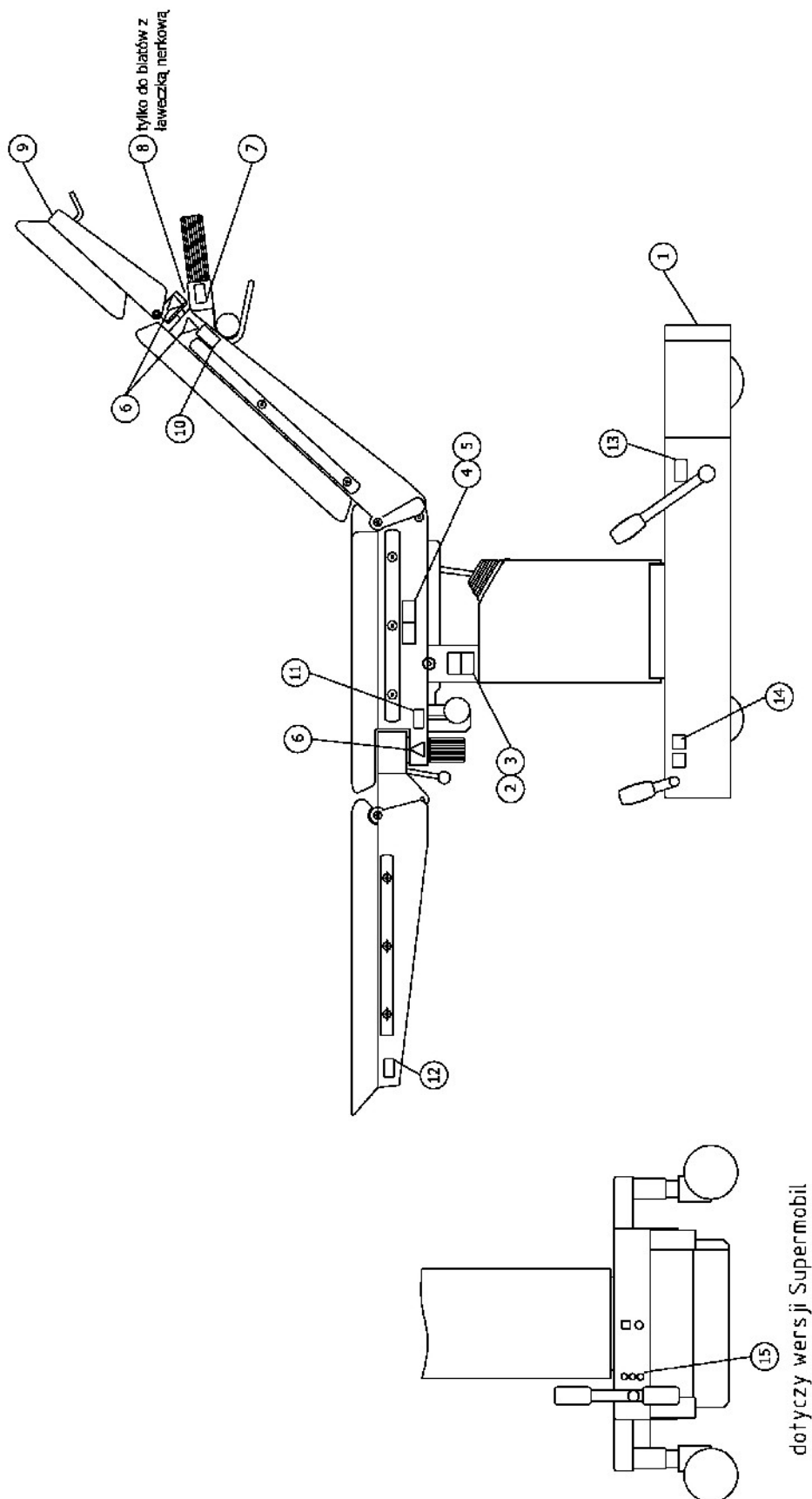
#### Description of individual components of the nameplate


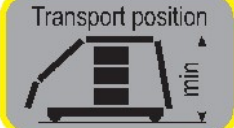

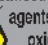
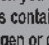



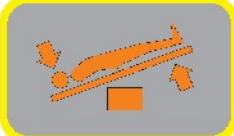





- 1 – Producer's name, trademark (address),
- 2 – Symbol of the product,
- 3 – Serial Number (country of manufacture),
- 4 Product Index

- 5 -  Attention!! Before the first use read operating manual,


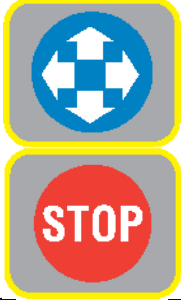

- 6 -  CE Sign,

## 7.2 Labels



1		1. Potential equalising clamp.
2	See point 7.1	Nameplate
3		Transport position of the table
4	<p><b>ATTENTION !</b> For cleaning, washing and disinfection you should not use agents containing active oxygen or chlorine!</p>    	For cleaning and disinfection you should not use agents containing active oxygen and chlorine
5		Maximum authorized workload 150 kg
6		Attention – read user manual
7		Longitudinal tilt (Trendelenburg, anti-Trendelenburg)
8		Kidney elevator adjustment (only in table-top with kidney support)
9		Head rest adjustment
10		Back rest adjustment
11		Transverse tilt
12		Leg rest adjustment



13	 <p data-bbox="639 215 970 248">Table top height adjustment</p>
14	 <p data-bbox="639 443 799 477">Table's brake</p>
15	 <p data-bbox="639 891 858 925">Central wheel lock</p>

**Notice!** *The producer reserves the right to introduce in the product modifications resulting from technical progress which are not covered in this operating manual.*

Item: **SU-02**Edition: **August 2007**

## Spare Parts List

SJW-4-01-02

### Basic spare parts

No	Name	pcs/set	Code number	Category	Remarks
1	Wheel	4	R60013-100-02000	1	SU-02.0
2	Wheel	1	R60013-125-02000	1	SU-02.0
3	Trendelenburg mechanism	1	C047307000000000	1	
4	Small foot set	2	C047301060000000	2	SU-02.0
5	Driving unit - set	1	C047302000000000	1	
6	Roller	8	C047305000007000	1	
7	Ball bearing - standard ( for a roller)	16	S06310000060010	2	
8	Bearing	4	S06310001100001	2	
9	Protection set	1	C047301010000000	3	SU-02.0
10	Interlocking toe	1	C047301030000000	2	SU-02.0
11	Stable protection set	1	C047308000000000	3	
12	Movable protection set	1	C047309000000000	3	
13	Top protection shield set	1	C047310000000000	3	
14	Potential balance cable	1	S1115000004258	2	
15	Pin of potential balance	1	S11155000004256	2	
16	Sliding sleeve	4	S30250100000200	2	
17	Guiding sleeve	4	C073600000014000	2	
18	Trendelenburg pin	1	C047300000003000	2	
19	Grounding cable	3	C047300001100000	2	
20	Spring	2	C047301000008000	1	
21	Spring	2	C047311000012000	1	
22	Footstool grip	2	C047311030000000	2	
23	Worm set	1	C047317000002000	2	
24	Driver	1	C047300000013000	2	
25	Driving unit of head rest	2	C047314070000000	1	
26	Driving unit of back rest	2	C047311040000000	1	
27	Driving unit of footstool	2	C047312030000000	1	
28	Bearing	1	S06310001110000	2	
29	Bearing	1	S06310000700000	2	
30	Starlock	2	R50010-08-02-000	1	
31	Screw	1	C080300001100000	2	
32	Wheels	1 set	R60012-125-10000	1	SU-02.5
33	Break pin	2	C043306000400000	3	SU-02.5
34	Break lever	2	C043306000500000	2	SU-02.5
35	Shaft	2	C106601000007000	2	SU-02.5
37	Slider set	1	C106601050000000	3	SU-02.5

35	Base protection	1	C106601030000000	3	SU-02.5
36	Foot lever of interlocking	1	C106601020000000	2	SU-02.5
37	Back rest matress	1	C080203000000000	3	
38	Matress set I	1	C080300000042000	3	
39	Matress set II	1	C080300000043000	3	
40	Seat matress	1	C090103000000000	3	
41	Footstool matress	1	C080805000000000	3	
42	Head rest matress	1	C080105000000000	3	
43	Head rest rail	2	C047314000008000	2	
44	Handwheel	2	R30057-100500251	2	
45	Side rail	2	C047311000019000	2	
46	Back rest rail I	2	C047311000020000	2	
47	Crank set	1	C067204000000000	2	
48	Protection	1	C067200000005000	3	
49	Arm	1	C080300000700000	2	
50	Screw	1	C080300000011000	2	
51	Hand II	1	C047311000011000	2	
52	Protection set	1	C081301020000000	3	SU-02.1
53	Shaft set.	1	C134207000000000	3	SU-02.1
54	Bering 3202	1	S063100003010000	2	SU-02.1
55	Flexible cllutch	1	S06340000001000	2	SU-02.1
56	Worm	1	C080628000002000	2	SU-02.1
57	Cardan joint	1	S092000000101200	2	SU-02.1
58	Gear	1	S063450000020000	2	SU-02.1
<b>Repair kit</b>					
No	Name	Qt.	Code number	Remarks	
1					
2					

**Legend**

*Markers in column „Kategory”*

- 1 - The elements endanger fast wear out
- 2 - The elements not endanger fast wear out
- 3 - The elements wear out depended of condition of ekxploitation



## Part completeness list

**Symbol: SU-02**

Edition: 06.04.2007

Package should contain:

**Operating table SU-02 set (without headrest)** 1 pce

and:

Headrest 1 pce SG-10.0

Potential equalization cord 1 pce index: S11155000015625

Additional equipment According to order

Without the figure

Date and packer's seal