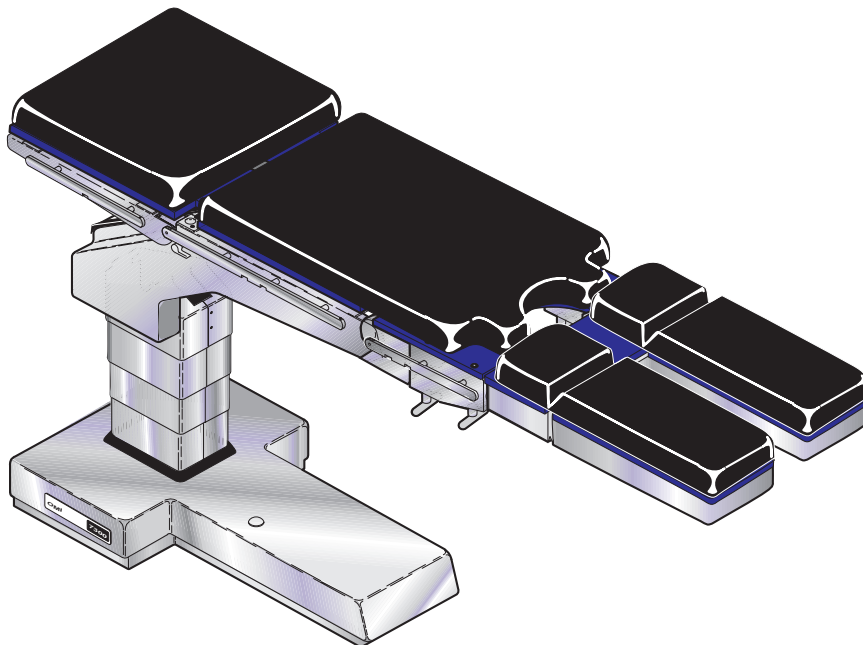


Schaerer Medical USA, Inc.

Installation and Operation Manual

Model 7300 Modular Surgery Table



CA802000

**Important
Information**
Page 2

Installation
Page 4

Description
Page 7

**Components
Overview**
Page 8

**Controls &
Indicators**
Page 9

Operation
Page 12

**Operator
Maintenance**
Page 25

**Calling For
Service**
Page 26

**Specifications &
Accessories**
Page 26

**Limited
Warranty**
Page 31

Owner's Product Identification

(information that you will need to provide for servicing - key information is highlighted)

Date of Purchase

Serial Number

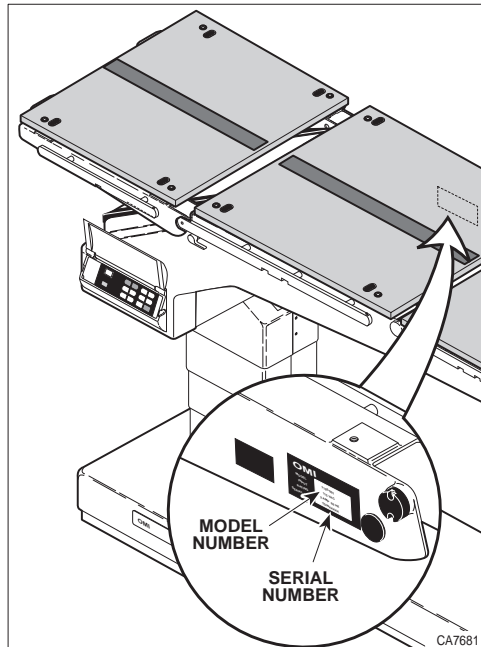
Name of Owner / Facility / Department

Model Number

Name of Authorized SM-USA Dealer

Telephone # of Authorized SM-USA Dealer

Address of Authorized SM-USA Dealer



CONTENTS

| | |
|---|-----------|
| IMPORTANT INFORMATION | 2 |
| Scope and Purpose of This Manual | 2 |
| Intended Use of Product | 2 |
| Safety Instructions | 2 |
| Explanation of Safety Symbols and Notes | 2 |
| Transportation and Storage Conditions | 3 |
| INSTALLATION | 4 |
| Unpacking | 4 |
| DESCRIPTION | 7 |
| Introduction | 7 |
| Features | 7 |
| COMPONENTS OVERVIEW | 8 |
| CONTROLS & INDICATORS | 9 |
| OPERATION | 12 |
| Patient Positions & Weight Capacities | 12 |
| Head Section, Installation & Operation | 13 |
| Installing Table Top Sections | 13 |
| Possible Pinch Points | 14 |
| Pendant Hand Control | 16 |
| Foot Control | 18 |
| Emergency Override Panel | 20 |
| Hand Control Display Messages | 22 |
| OPERATOR MAINTENANCE | 25 |
| Preventive Maintenance Schedule | 25 |
| Cleaning | 25 |
| CALLING FOR SERVICE | 26 |
| SPECIFICATIONS & ACCESSORIES | 26 |
| Options and Accessories | 27 |
| LIMITED WARRANTY | 31 |

IMPORTANT INFORMATION

Scope and Purpose of This Manual

This manual covers complete instructions for the installation, operation, and normal care of the Model 7300 Surgery Table. It is intended that this manual be used by any medical personnel responsible for operating the surgery table during a medical procedure or performing operator level maintenance.

Intended Use of Product

The intended use of the Model 7300 Surgery Table is to perform general surgical procedures.

Safety Instructions

The primary concern of SM-USA is that this equipment is operated and maintained with the safety of the patient and staff in mind. To assure safer and more reliable operation:

- Read and understand this manual before attempting to install or operate the table.
- Assure that appropriate personnel are informed on the contents of this manual; this is the responsibility of the purchaser.
- Assure that this manual is located near the table, or if possible, permanently affixed to the table.

Explanation of Safety Symbols and Notes



DANGER

Indicates an imminently hazardous situation which, if not avoided, will result in death or serious injury. The **DANGER** symbol is limited to the most extreme situations.



WARNING

Indicates a potentially hazardous situation which, if not avoided, could result in death or serious injury.



CAUTION

Indicates a potentially hazardous situation which, if not avoided, may result in minor or moderate injury. It may also be used to alert against unsafe practices.



EQUIPMENT ALERT

Indicates an imminently or potentially hazardous situation which, if not avoided, will or may result in serious, moderate, or minor equipment damage.

NOTE

Amplifies an operating procedure, practice, or condition.

Transportation and Storage Conditions

- Ambient Temperature Range: -20°C to +40°C (-4°F to 104°F)
- Relative Humidity 10% to 90% (non-condensing)
- Atmospheric Pressure 500hPa to 1060hPa (0.49atm to 1.05atm)

INSTALLATION

Unpacking



EQUIPMENT ALERT

To avoid damaging the table do not use a knife or other sharp object to open the table's packaging.

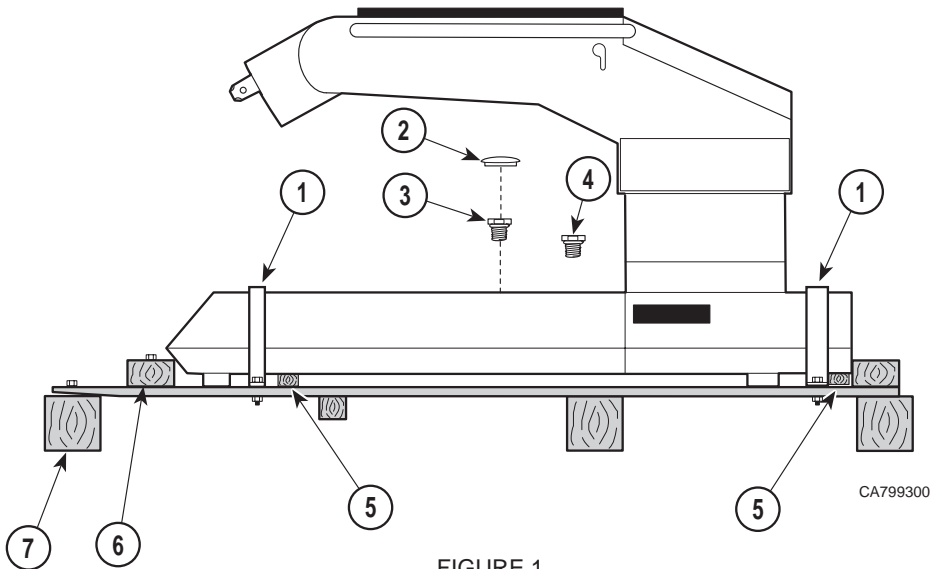


FIGURE 1

1. Carefully cut the banding, remove the washer head nails, and lift off the cardboard shipping box.
2. Remove the plastic bag from around the table and inspect the table for any shipping damage.
3. Remove the box with accessories, etc. located on the table base and inspect for shipping damage.

NOTE

You must report any shipping damage to the transit company **within 15 days** of receiving the table from the transit company and ask them for an inspection.

4. Unbolt and remove the two metal straps (1) from around the table base.



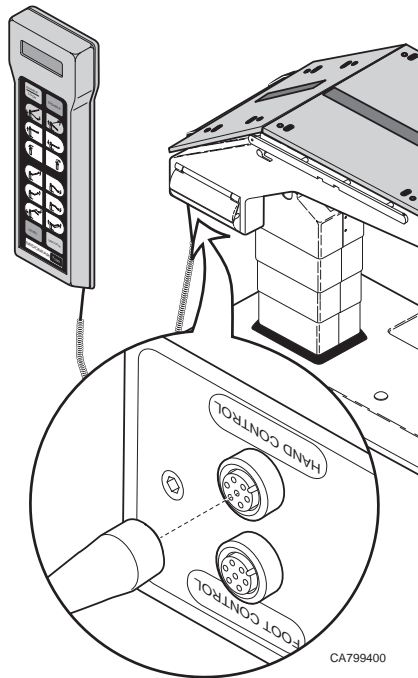
EQUIPMENT ALERT

Do **not** operate the table until the shipping plug has been removed from the hydraulic reservoir and the vent plug has been installed in its place.

5. Remove the shipping plug (2) from the table's hydraulic fluid reservoir and install the vent plug (3) in its place; then install the hole plug (4).
6. Locate the hand control that has been packaged with the table and plug the cord of the hand control into the port labeled HAND CONTROL located on the bottom, patient's right side of the table top.

NOTE

If the hand control does not respond when turned on, it may mean the table's battery system needs to be charged. Using the table's power cord, connect the cord to the table and then plug the cord into a 115 VAC, 60 Hz, hospital grade power receptacle. Allow the batteries to charge for 1/2 hour; then remove the power cord and continue with unpacking procedures.



7. Press the **ENABLE/LOCK** button. The display should read, "**NORMAL POSITION...LOCKING FLOOR**". The floor locks and outriggers will function, locking the table to the skid.
8. Remove the two wood slats (5, Figure 1) from beneath the table base.
9. Unbolt and remove the wood block (6) at the foot end base of the table.



10. Unbolt and remove the wood block (7) located at the foot end base beneath the wood skid.

**WARNING**

The table w/ Pelvic Base (73001) weighs approximately 660 lbs. (299.4 kg). Get an assistant to help remove the table from the shipping skid. Also, use proper lifting techniques when lifting table. Failure to do so could result in serious back injury.

11. Using an assistant, take hold of each side of the table; then press the **ENABLE/LOCK** and **UNLOCK** buttons and *hold for 3 seconds*. The floor locks will disengage.

**EQUIPMENT ALERT**

Assure the brake cylinders have retracted all the way before attempting to roll the table from the skid. Failure to comply may cause damage to the brake cylinders.

12. Carefully roll the table to the foot end of the skid. The skid tilts, allowing the table to be rolled off.

**EQUIPMENT ALERT**

Use only 115 volt, alternating current (VAC), 60 cycle (Hz) to operate or recharge the batteries in the table. Failure to comply could result in damage to the table.

13. Plug the table into a 115 VAC, 60 Hz, hospital grade, grounded outlet from 8 to 12 hours to fully recharge the batteries before actual use.

**EQUIPMENT ALERT**

To prevent damage to the table, allow the table to reach room temperature before operating. This is especially important when the table has been exposed to below freezing temperature during transit.

DESCRIPTION

Introduction

The 7300 Modular Surgical Table is primarily used for general surgery but can be easily adapted with various accessories to accommodate many different procedures such as cardio vascular, neurosurgical, urology, obstetrics, gynecologic, and orthopaedic.

Features

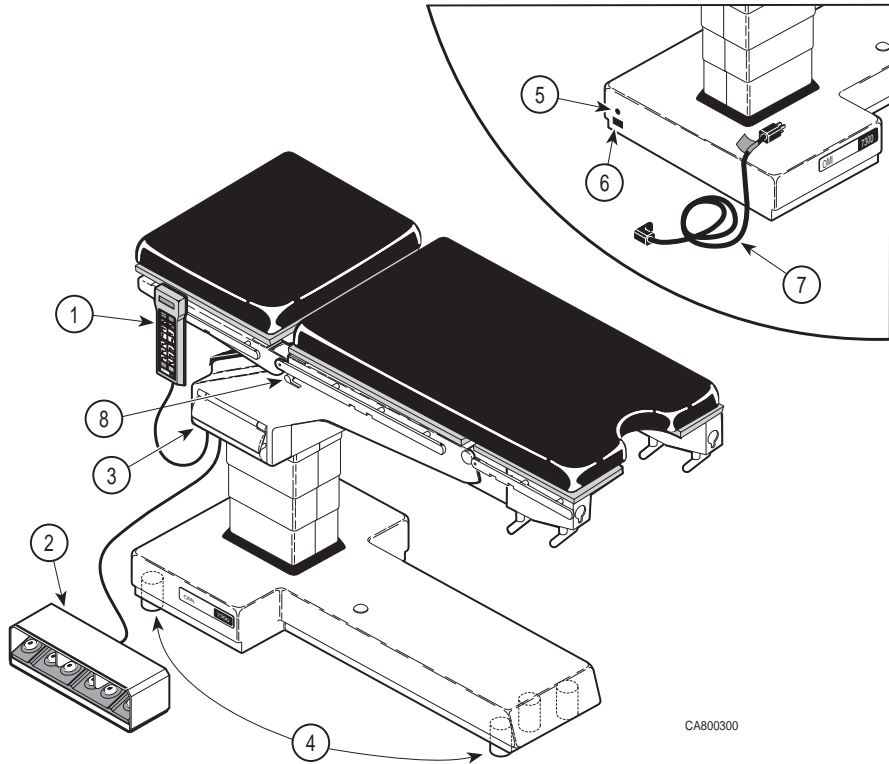
The Model 7300 General Surgical Table has . . .

- excellent image amplification with superior C-arm access.
- excellent access for anesthetist for short patients in lithotomy or other positions.
- a variety of accessories for almost any surgical procedure.
- various accessories constructed of light-weight carbon fiber yet retaining the strength and durability for optimum life plus providing excellent radio-translucency.
- stainless steel and carbon fiber construction for strength and cleanability.
- five powered functions that include powered floor locking, height adjustment, lateral tilt, trendelenburg, and seat positioning.
- a “Return to Level” feature that, when enabled, automatically stops each function at the level or “neutral setting.”
- ability to flex and reflex table position with a single button.
- three sources for table positioning commands, pendant hand control, optional foot control, or the emergency override control.
- back up hydraulic motor/pump in case the primary motor/pump becomes disabled.
- ability to power the table directly from a 115 VAC power source for limited periods should the batteries become fully discharged.
- ideal position for lithotomy without compromising other forms of surgery.
- state-of-the-art factory and field, trained, technical service organizations plus easy- to-follow technical literature, *in paper or CD format*, to assure your equipment is maintained at peak operating performance.

Description

COMPONENTS OVERVIEW

The illustration below shows the location of the table's major components and the chart below provides their descriptive name.



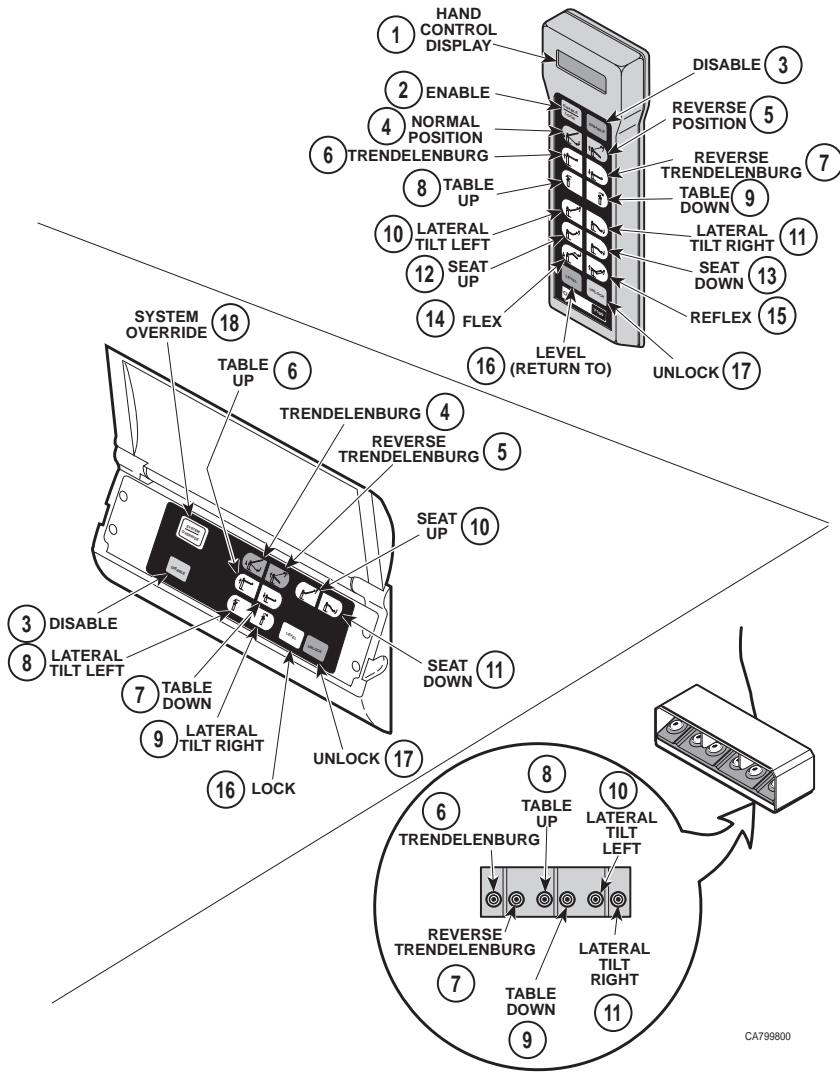
DESCRIPTION OF COMPONENTS (Basic Table)

| | |
|-----------------------------|--------------------------|
| 1. Hand Control | 5. Line Power Pilot Lamp |
| 2. Foot Control (Optional) | 6. Plug Receptacle |
| 3. Emergency Override Panel | 7. Power Cord |
| 4. Floor Lock Cylinders | 8. Latch Handle(s) |



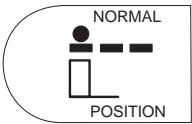
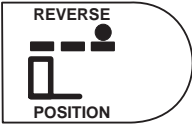



CONTROLS & INDICATORS

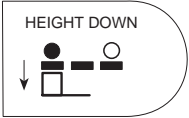

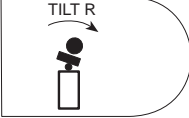





The illustration below shows the **hand control**, **foot control**, and **emergency override control**. The chart that follows describes the function of each button or switch...Refer to "OPERATION" Section on each control before using them.

NOTE
 The Reverse Position, patient's head at opposite end from column, can only be activated when using the hand control. Reverse Position is not available when using the Emergency Override or Foot Control.


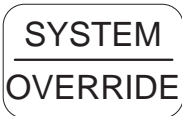


Controls & Indicators

| Ref. | Control | Function |
|------|---|--|
| 1 | DISPLAY | Electronically displays operational messages, status messages and error codes |
| 2 |  | Main On / Off power switch Automatically locks table to floor Displays position of table, NORMAL or REVERSE on hand control display. Displays condition of batteries, LOW, MEDIUM or FULL Stays activated for 10 seconds after pressed. |
| 3 |  | DISABLE button immobilizes all position control buttons. OMI recommends that the operator, after positioning table, manually depress DISABLE switch to prevent accidental activation of a function during a procedure. |
| 4 |  | Configures table in Normal (head over column) position. |
| 5 |  | Configures table in Reverse (head at opposite end from column) position. Reverse position is not available on <u>foot</u> or <u>emergency override</u> controls. |
| 6 |  | Trendelenburg position. Works in conjunction with Normal and Reverse Position buttons on hand control. Lowers end of the table where patient's head is positioned. Reverse position is not available on <u>foot</u> or <u>emergency override</u> controls. |
| 7 |  | Reverse Trendelenburg position. Works in conjunction with Normal and Reverse Position buttons. Raises end of table where patient's head is positioned. Reverse position is not available on <u>foot</u> or <u>emergency override</u> controls. |
| 8 |  | Raises table surface. |

| Ref. | Control | Function |
|------|---|---|
| 9 |  | <i>Lowers table surface.</i> |
| 10 |  | <i>Tilts table surface to patient's left side. Works in conjunction with Normal and Reverse Position buttons. Tilts side of table depending on selected patient position, Normal or Reverse. Reverse position is not available on <u>foot</u> or <u>emergency override</u> controls.</i> |
| 11 |  | <i>Tilts table surface to patient's right side. Works in conjunction with Normal and Reverse Position buttons. Tilts side of table depending on selected patient position, Normal or Reverse. Reverse position is not available on <u>foot</u> or <u>emergency override</u> controls.</i> |
| 12 |  | <i>Raises seat section.</i> |
| 13 |  | <i>Lowers seat section.</i> |
| 14 |  | <i>This function can only be activated when NORMAL POSITION button is ON. Pressing FLEX causes both head and foot ends of table to lower</i> |
| 15 |  | <i>This function can only be activated when NORMAL POSITION button is ON. Pressing REFLEX causes both head and foot ends of table to raise.</i> |
| 16 |  | <i>Pressing and holding LEVEL button will bring the table back to a completely horizontal position.</i> |

Controls & Indicators

| Ref. | Control | Function |
|------|---|---|
| 17 |  | <i>UNLOCK button is used to disengage floor locks in order to move table. You must simultaneously press and hold the ENABLE / LOCK and UNLOCK buttons for <u>3 seconds</u>.</i> |
| 18 |  | <i>Main power switch for Emergency Override system. This switch must be depressed and held at that position in order to operate function keys on Emergency Override panel.</i> |

OPERATION



DANGER

Do not use this table in an explosive or oxygen-rich atmosphere. To do so could result in an explosion or fire.

Patient Positions and Weight Capacities



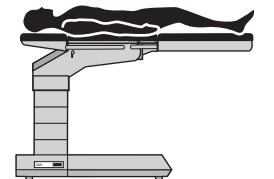
WARNING

Do not exceed the maximum patient weight limitations. Failure to do so could result in patient or personal injury and equipment damage.

The Model 7300 Modular Surgery Table has two basic positions, Normal and Reverse Position. You must press the appropriate, NORMAL or REVERSE POSITION to program the table for the desired position.

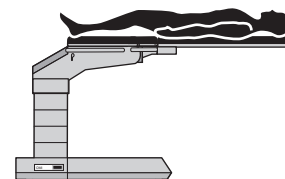
Normal Position

- Patient's head is located over column end. Maximum distributed weight capacity in this position is 500 lbs. (227 kgs.).



Reverse Position

- Patient's head is located at opposite end from column. Maximum distributed weight capacity in this position is 400 lbs. (181 kgs.)



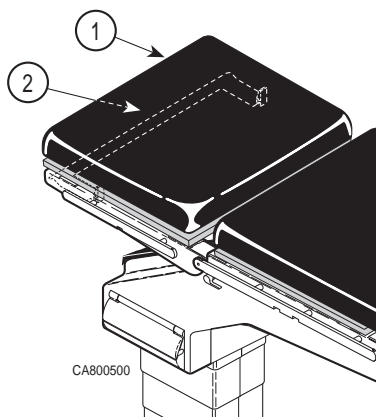
CA800900

- **Head Section** has a maximum weight capacity of 40 lbs. (18 kgs.).
- **Leg Transfer Board** (73002) is intended only for the support of a patient's legs and has a maximum distributed weight capacity of 150 lbs. (68 kgs.).
- **55" Image Amplification (I.A.) Board** (73004) has a maximum distributed weight capacity of 400 lbs. (181 kgs.).

Head Section

The Head Section (1) is inserted into two sockets located at column end of table (Refer to "Installing Table Top Sections").

The Head Section can be placed in infinite positions by depressing handle (2) at end of Head Section and manually raising or lowering Head Section. Releasing handle (2) locks Head Section (1) in desired position. Two gas spring cylinders on each side of Head Section assist in raising and lowering it.

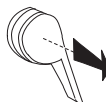


Installing Table Top Sections

The latch handles, located on both sides of table top at column end, can be placed in three positions:

Unlatched Position (1)

This position allows insertion or removal of a table section. Pull outward on latch handle, rotate handle until it stops, and insert or remove the table section.



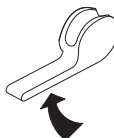
Auto Capture or Latched Position (2)

Rotate the latch handle until it latches the table section in position. Pull outward on the table section to assure it is latched in position.



Locked Position (3)

Rotate the latch handle to lock it tightly in place.



CA800400

Possible Pinch Points



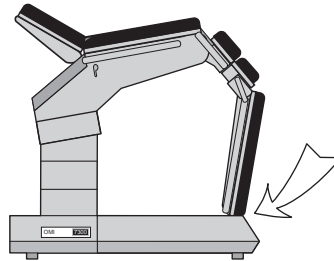
WARNING

Pinch point locations are identified by an exclamation point symbol at the specific area of the table. Certain movements of the table top can result in collision with the floor or base. Use caution when positioning the table top to prevent injury to patient and operating room staff or table damage.

Below are listed possible pinch point locations that the operator(s) must be aware of when setting up and using the table. The possible pinch point locations are identified by exclamation points (!) on the the table.

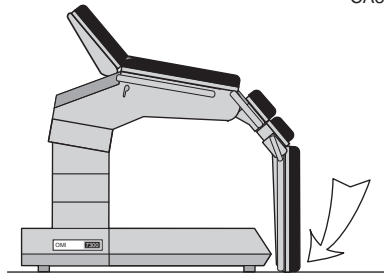
1. I.A. Board (73004), Leg Transfer Board (73002), or Split Leg (71111) and base.

CA801300



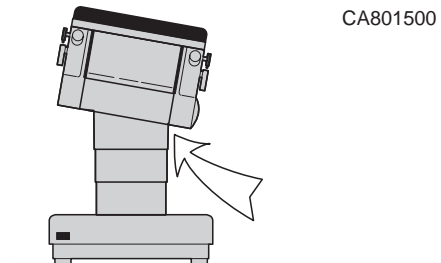
2. I.A. Board (73004), Leg Transfer Board (73002), or Split Leg (71111) and floor.

CA801400

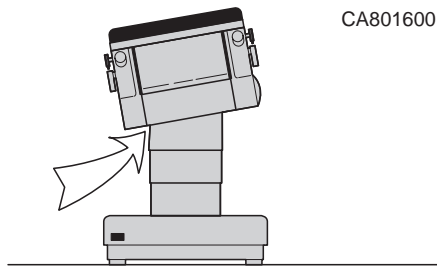


3. Right Side Column.

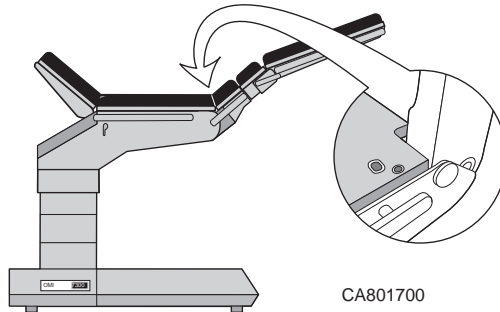
CA801500



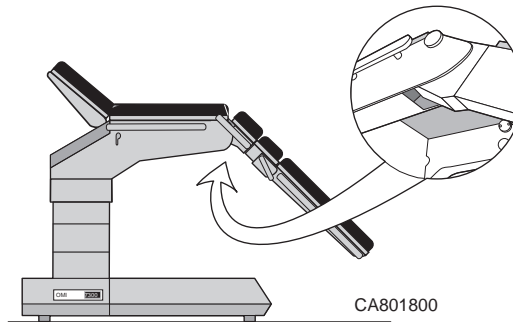
4. Left Side Column



5. Above Pelvic Base (73001) and Back Section.



6. Below Pelvic Base (73001) and Back Section.



NOTE

Should other accessories be installed instead of the Pelvic Base (73001) the possible pinch point locations would be in the same area.

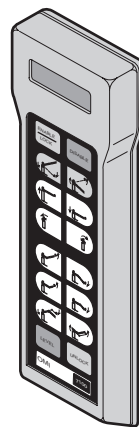
Operation

Pendant Hand Control



EQUIPMENT ALERT

The Models 7100 and 7300 Hand Controls cannot be inter-changed between the tables as they are not compatible to the programmed electronic functions.



CA800600

Function Buttons

- The pendant hand control consists of 16 buttons. For an explanation of the operation or function of each button refer to the Controls & Indicators section.



WARNING

Should the table malfunction, immediately remove your hand from the control button. For emergency operation of the table refer to Emergency Override Panel.

Operation

Installation

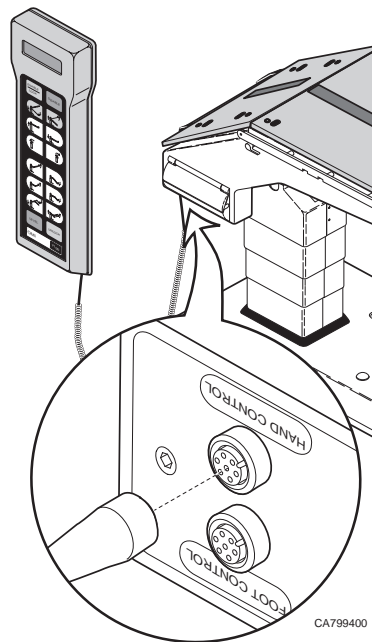
- Plug the cord of the Hand Control into the port labeled HAND CONTROL located on the bottom, patient's right side of the table top

Priority

- The Hand Control has priority over the Foot Control. Should a function be activated by the Foot Control a person can override the Foot Control command through use of the Hand Control.

Display

- Information on the status of the computer, batteries, table movements, and operating instructions are shown on the hand control display. *The display stays activated for 10 seconds after a function has been pressed.*



CA799400

Power On Switch

- The ENABLE/LOCK button is the main On/Off power switch. When depressed it will first lock the table to the floor, then display the table position, Normal or Reverse. You have approximately 10 seconds to activate a function or positioning button before the hand control automatically turns off.



Disable

- The *DISABLE* button, when depressed, turns off the positioning buttons on the hand control and will stop the movement of a function when the foot control is being used. To re-activate the buttons on the hand control you must first depress the *ENABLE/LOCK* button and then the desired function button



WARNING

It is strongly recommended that the *DISABLE* button be depressed to switch the hand controller **OFF** after table positioning has been completed. This will prevent accidental activation of a function during procedures.

Table Position

- You must choose how you want the table position to be configured by pressing either *Normal*, (head over column) or *Reverse*, (head opposite end of column) *Position*. The position activated will affect certain functions:



- Flex or Reflex cannot be activated when in Reverse Position.
- Trendelenburg, Reverse Trendelenburg, Tilt Left and Tilt Right are automatically configured to operate in conjunction with the Normal and Reverse Positions. Refer to the Controls & Indicators section.
- Reverse position is not available on the Foot or Emergency Override Controls even though the hand control has been configured to operate in the Reverse Position.

Operation

Foot Control

Function Pedals

NOTE

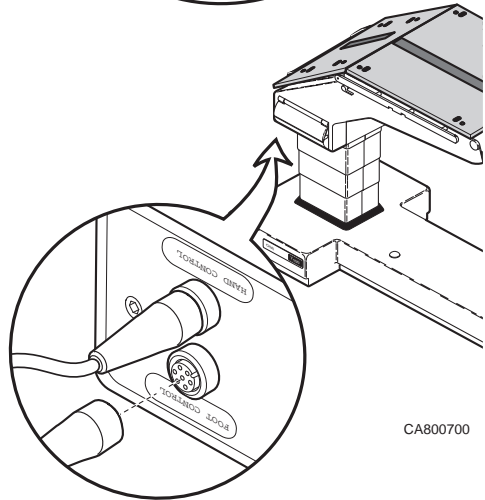
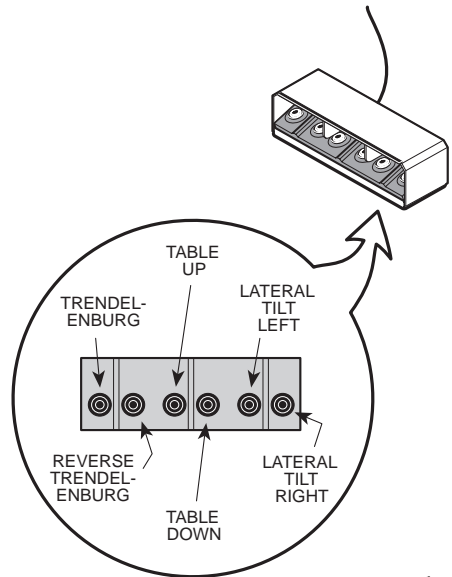
The HAND CONTROL must be plugged into the table in order for the foot control to function.

- The foot control has 6 control pedals; Trendelenburg, Reverse Trendelenburg, Height Up, Height Down, Lateral Tilt Left, and Lateral Tilt Right.



WARNING

Should the table malfunction, immediately remove your foot from the footswitch. For emergency operation of the table refer to Emergency Override Panel.



CA800700

Operation

Installation

- Plug the cord of the Foot Control into the port labeled FOOT CONTROL located on the bottom, patient's right side of the table top

Priority

- The Hand Control has priority over the Foot Control. Should a function be activated by the Foot Control a person can override the Foot Control command through use of the Hand Control.

Display

- The display on the hand control will display messages when using the Foot Control.

Power On Switch

- When one of the Foot Control function pedals is depressed, the floor locks will engage before allowing a function to begin. After the table has been locked to the floor you can activate a function by pressing on its pedal.

Disable

- Pressing *DISABLE* on the hand control or emergency override panel will stop a function that is being controlled by the Foot Control. To continue a function you must remove pressure from the foot switch pedal; then press down on the pedal again.



WARNING

It is strongly recommended that the *DISABLE* button on the hand control be depressed to switch the hand controller OFF after table positioning has been completed. This will prevent accidental activation of a function on the hand control during procedures.

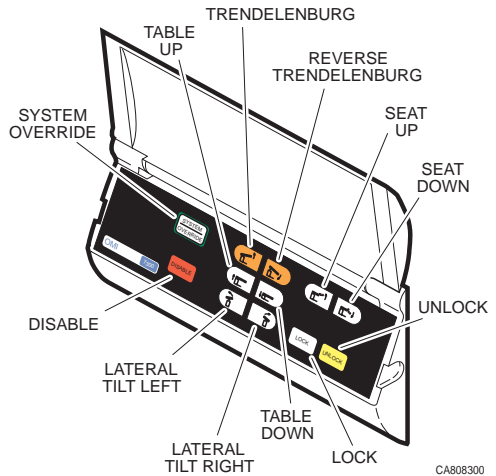
Table Positioning

- Six positions can be activated using the Foot Control, Trendelenburg, Reverse Trendelenburg, Lateral Tilt Right, Lateral Tilt Left, Height Up, and Height Down .
- Reverse Position cannot be activated when using the Foot Control.
- Flex, Reflex, Seat Up, Seat Down, and Level cannot be activated using the Foot Control.

Emergency Override Panel

Function Buttons

- The Emergency Override Panel consist of 12 buttons. System Override, Disable, Lock, Unlock, Trendelenburg, Reverse Trendelburg, Height Up, Height Down, Lateral Tilt Left, Lateral Tilt Right, Seat Up, and Seat Down.

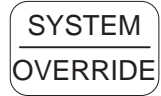


Display

- There will be no display on the hand control when using the Emergency Override Panel. The Emergency Override bypasses the table's microcomputer.

On/Off

- The *SYSTEM OVERRIDE* button must be depressed and held at that position to operate any of the function buttons.



WARNING

You must lock the table to the floor before performing any of the functions by depressing and holding the *SYSTEM OVER-RIDE* and *LOCK* buttons for at least 10 seconds. Only the three main floor locks will be activated and not the two additional stabilizer floor locks. The table will not be as stable and caution must be used to prevent the table from tipping.

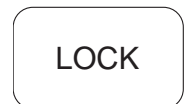
Disable

- The DISABLE button stops functions that are being ran when the hand or foot control are being used.



Lock

- The LOCK button activates only the three main floor locks to lock the table to the floor. It must be held along with the System Override button for a minimum of 10 seconds to assure the table is completely locked.



Unlock

- The UNLOCK button releases the three main floor locks from the floor. It must be held, along with the System Override button for a **minimum of 10 seconds** in order to completely retract the floor locks.



EQUIPMENT ALERT

Assure brake cylinders are fully retracted before moving. Failure to comply could cause damage to the brake cylinders.

Table Positioning

- Reverse Positioning cannot be activated when using the Emergency Override panel.
- Flex and Reflex cannot be activated using the Emergency Override panel.

Hand Control Display Messages

Messages will be displayed on the Hand Control whenever the Hand or Foot controls are operated. No messages will appear when using the Emergency Override Panel.

Display

- The hand control display can display 2 lines of messages or prompts during a normal operation.
 1. Top line displays the table orientation.
 2. Bottom line tells operator about condition of table such as battery level, the position being engaged ie., Trendelenburg, flex, tilting right, etc.
- The display will also tell the operator if service is required and if a problem exist an error code will appear such as E01, E02, etc. Write down the error code number and call a qualified technician, giving him the error code number.



EQUIPMENT ALERT

The table should not be used until checked by a technician that was factory trained on service and repair of the table.

Operation

Messages

- The following messages or prompts may appear:

WAIT...

Indicates the microprocessor is “booting up” and checking the status of all switches and sensors.

NORMAL POSITION

Informs the operator the table is in the normal configuration, head over column.

REVERSE POSITION

Informs the operator the table is in the reverse configuration, head opposite column.

TO UNLOCK PRESS / ENABLE & UNLOCK

When the operator presses the UNLOCK button only, this informs operator that the ENABLE button must also be pressed.

HOLD FOR 3 SEC

Informs the operator the ENABLE and UNLOCK buttons must be pressed and held for 3 seconds.

LOCKING FLOOR

Indicates the floor locks are being engaged.

FLOOR LOCKED

Indicates the floor locks are engaged.

UNLOCKING FLOOR

Informs the operator the floor locks are being disengaged.

ON WHEELS

Indicates the table is on its wheels and is mobile.

NEUTRAL POSITION / REPRESS BUTTON

Indicates the function being moved has reached its intermediate or level position and, that to continue moving the function, the button must be released and then pressed again.

TRENDELENBURG

Informs the operator the table is being placed in the Trendelenburg position. (Dependent on which position has been set, Normal or Reverse).

REV. TRENDELENBURG

Informs the operator the table is being placed in the Reverse Trendelenburg position. (Dependent on which position has been set, Normal or Reverse).

HEIGHT UP

Indicates the table's column is being raised.

HEIGHT DOWN

Indicates the table's column is being lowered.

TILTING RIGHT

Informs the operator the table is tilting toward the patient's right side. (Dependent on which position has been set, Normal or Reverse).

TILTING LEFT

Informs the operator the table is tilting toward the patient's left side. (Dependent on which position has been set, Normal or Reverse).

SEAT UP

This message appears when the seat is being raised.

SEAT DOWN

Indicates the seat is being lowered.

FLEX

Indicates the table is being moved to a flex position. (Flex is not available in the Reverse Position)

REFLEX

Indicates the table is being moved to a reflex position. (Reflex is not available in the Reverse Position).

RETURN TO LEVEL

Informs the operator the entire table top is being moved to a level position.

RECHARGE BATTERY / PLUG CORD IN NOW

Informs the operator the battery charge has fallen below 1/6 of the capacity and that it is imperative that the power cord be plugged in immediately to allow the batteries to be recharged.

BATT LEVEL LOW / RECHARGE BATTERY

The battery charge is less than 1/3 of capacity.

BATT LEVEL MED

The battery charge is between 1/3 and 2/3 of capacity.

BATT LEVEL FULL

Battery charge is more than 2/3 of capacity.

CHARGING BATTERY

Table is connected to an electrical outlet and the batteries are being recharged.

CALIBRATING NEUTRAL POSITION

Informs the Service Technician that the "neutral position" is being calibrated and the data is being entered into the main controller.

SERVICE REQUIRED

Informs the operator that service is required by a qualified service technician. The self diagnostic function of the table has detected a malfunction.

ERROR CODE E_{xx}

Provides information to a qualified service technician as to what type of malfunction exist. The operator should write the error code down and relate it to the service technician when the service call is required.

OPERATOR MAINTENANCE

Preventive Maintenance Schedule

The following preventive maintenance schedule should be followed. If a problem is detected, refer to the troubleshooting section of this manual.

| FREQUENCY | ACTIVITY |
|-----------------------------|---|
| <i>After each procedure</i> | Clean the upholstery and table top boards after each procedure with a mild soap and water solution. Check the upholstery and boards to make sure they are free of cuts or other damage. |
| <i>daily</i> | At the end of each day or between procedures plug the table into a 115 VAC outlet to recharge the batteries. Total recharge, depending on the level of the batteries, may take from 2 to 8 hours. Inspect the electrical cords and connectors to assure they are free of cuts or damage |
| <i>weekly</i> | Check the mechanical functions to ensure satisfactory operation. Oil moving parts with a light machine oil to assure quiet, smooth, and dependable operation. Check fasteners to ensure they are present and are tightened securely. |

To keep the table in peak operating performance it is suggested that a Service Maintenance Plan (SMP) be initiated on the table with a qualified, factory trained, service technician. Under a SMP periodic routine maintenance and adjustments would be performed.

Cleaning

Upholstery



EQUIPMENT ALERT

The upholstery material that covers the top of the table is resistant to most medicinal-types stains, but may be damaged by solvents and dyes. Remove any fluids which are spilled on upholstery immediately.

Regular care should be maintained by daily wiping with a damp cloth or sponge, and periodic cleaning with a mild soap and water solution.

Unpainted Metal Surfaces

Wipe all unpainted metal surfaces with a clean cloth. Use petroleum jelly or other non-toxic white lubricants on moving parts. Lubrication will allow free movement of sliding parts and reduce noise.

CALLING FOR SERVICE

If you are having a problem or have a question, refer to the inside front cover of this manual and call your dealer. Make sure that you have the information that is highlighted on the inside front cover of this manual available especially the ***Model and Serial Number*** of the table. If you can't resolve your question or problem with your dealer, call the following number:

Call 1-800-755-6381

Ask for the Technical Service Department

8:00 a.m. until 5:00 p.m. (Eastern Standard Time in the U.S.)

Monday thru Friday, except for standard U.S. holidays.

SPECIFICATIONS

Patient Weight (Maximum)..... 500 lbs. (227 kgs.) in Normal Position
400 lbs. (181 kgs.) in Reverse Position
200 lbs. (90.7 kgs.) leg section
150 lbs (68 kgs.) leg transfer board
40 lbs. (18.1 kgs.) head section

Overweight Operation..... Patient positioning is restricted.
To learn of limitations, contact the Surgical
Table Product Manager at 1 800 643-6275.

Weight of Table

Normal (w/ head & pelvic

sections including upholstery 660 lbs. (299 kgs.)

With Shipping Carton 764 lbs. (347 kgs.)

Dimensions:

Table Top Length (w/ head, back,
pelvic & leg transfer sections)..... 75.6 in. (192 cm)

Table Top Length (w/ back section
& 55" I.A. Board)..... 76.7 in. (195 cm)

Table Top Width 20.5 in. (52.1 cm)

Table Base Length..... 45.0 in. (114.3 cm)

Table Base Width (column end)..... 23.5 in. (59.7 cm)

Table Base Width (opposite
column end)..... 13.25 in. (33.7 cm)

Table Positioning:

Table Top Height (Adjustable)..... 27.7 in. to 43.9 in. (70 to 112 cm)

Trendelenburg..... 0° to 28°

Reverse Trendelenburg 0° to -28°

Lateral Tilt..... 0° to -18° in either direction

Seat Section +75° to -40° in relation to back section

Calling For
Service

Specifications
& Accessories

Coordinating Flex (Normal Position)

Trendelenburg +20° above horizontal
Seat Section..... -40° in relation to back section

Coordinating Reflex (Normal Position):

Trendelenburg -28° below horizontal
Seat Section..... +60° in relation to back section

Head Section:

Mounted on Column end..... +30° to -30°
Mounted Opposite Column end +30° to -75°

Table Speed (Table in normal orientation, full battery charge, ambient oil temp.):

Extend Column Fully 16.0 to 21.0 seconds
Retract Column Fully..... 16.0 to 21.0 seconds
Reverse Trend. to Trend. 20.5 to 24.5 seconds
Trend. to Reverse Trend. 16.0 to 20.0 seconds
Lat. Tilt R to Lat. Tilt L 9.5 to 12.5 seconds
Lat. Tilt L to Lat. Tilt R 10.0 to 13.0 seconds
Seat Down to Seat Up..... 18.0 to 21.0 seconds
Seat Up to Seat Down..... 18.5 to 21.5 seconds

Hydraulic System Oil..... ISO Viscosity Grade 32 Premium Hydraulic Fluid

Reservoir Capacity..... 2.1 Quarts (2.0 Liters)
System Capacity 3.7 Quarts (3.5 Liters)

Battery Charging Time 8 to 12 hours
Battery Power Output..... 24 VDC, 18 amp-hours

Electrical Requirements 110-120 VAC, 60 HZ, 2 amp, single phase

Options and Accessories

For illustrations, proper set-up and application of the accessories refer to the Model 7300 Technique Manual.

Accessory Name

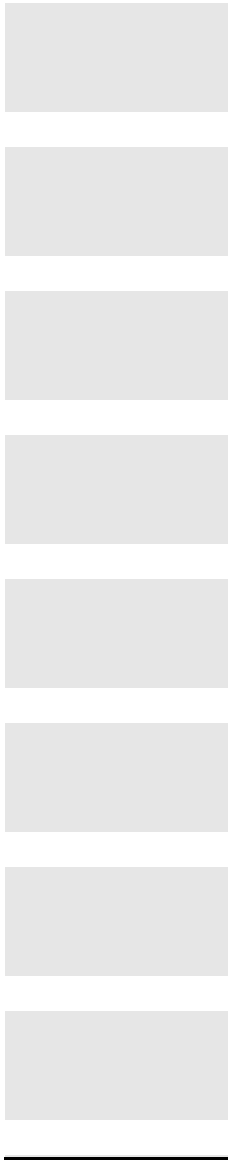
Order Number

- Vertical Perineal Post 10210 (requires Ortho. Pelvic Base, 73007)
- Restraint Strap 10360
- Pad, Vertical Perineal Post 10362 (used on Vertical Perineal Post, 10210)
- Lottes Anklet 10395 (used w/ Traction Unit, 73010)
- Equipment Cart..... 10509
- Drape Stand..... 10620
- Removable Siderail 10821 (Used w/ 55" I.A. Board, 73004)
- Leg Transfer Board..... 10823 (requires Ortho. Pelvic Base, 73007)

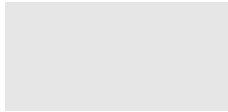
Specifications & Accessories

- Horizontal Perineal Post 10824 (requires Ortho. Pelvic Base, 73007)
- Tibia Extender 10825 (requires Ortho. Pelvic Base, 73007)
- Well Leg Support, siderail mount... 10830 (includes Siderail Socket and Articulating Bracket)
- Offset Adapter 10836 (requires Ortho. Pelvic Base, 73007)
- Montreal Lateral Positioning Device w/ Standard Pads..... 13100
- Montreal Lateral Positioning Device w/ Decubitus Pads 13200
- Safety Strap, Non Conductive (1) ... 20715
- Pin & Wire Holder w/ Ferrules 22111 (requires Traction Unit, 73010)
- Traction Bow 22119 (requires Traction Unit, 73010)
- Traction Cuff..... 22314 (requires Traction Unit, 73010)
- Foam Pad Inserts for Stirrups (20) . 70419 (used on 71098 and 71099 Stirrups)
- Gel Pad Inserts for Stirrups (pair) ... 70420 (used on 71098 and 71099 Stirrups)
- Bierhoff Leg Holders (pair) 70542 (requires a Pelvic Base, 73001, and a pair of Sockets, 71070 or 71097)
- Siderail Extender (Pair)..... 70556
- Siderail Socket..... 71070
- IV Arm Board 71071 (uses Cushions, 71084 [1"], 71085 [2"], or 71072 [3"])
- Siderail Clamp 71073
- Ether Screen w/ Clamps 71074
- Footrest w/ Siderail Clamps..... 71075
- Siderail Extenders (pair) 71077
- AP Cassette Holder 71078
- Lithotomy Leg Holders (pair) 71079 (requires a Pelvic Base, 73001, and a pair of Sockets, 71070 or 71097)
- Universal Ether Screen w/ Socket .. 71080
- Lateral Cassette Holder w/ Clamp .. 71082
- Cross Arm Support w/ Socket 71083
- IV Arm Board Cushion (1 in.)..... 71084 (used on 71071 IV Arm Board)
- IV Arm Board Cushion (2 in.)..... 71085 (used on 71071 IV Arm Board)
- Neuro Headrest Adapter..... 71088 (requires Back Section 73006)
- Lateral Support w/ Clamps 71090
- Infant Arm / Hand Table 71092
- IV Arm Board Cushion (4 in.)..... 71093 (used on 71071 IV Arm Board)
- Side Extender w/ Cushion for X-ray Top 71094 (used on 73005 X-ray Top)
- Tri Clamp 71097
- Flex Guard Stirrups (pair) 71098 (requires a Pelvic Base, 73001, and a pair of Sockets, 71070 or 71097)
- Guardian Stirrups (pair) 71099 (requires a Pelvic Base, 73001, and a pair of Sockets, 71070 or 71097)
- Leg Prep Stand 71100 (requires one Socket, 71070 or 71097)
- Snaplock Arm Board w/o Pad..... 71101 (uses Cushions, 71102 [2"] or 71103 [4"])

- Snaplock Arm Board Pad (2 in.)..... 71102
.....
(used on Snaplock Arm Board, 71101)
- Snaplock Arm Board Pad (4 in.)..... 71103
.....
(used on Snaplock Arm Board, 71101)
- Shoulder Braces w/ Cushions
(pair)..... 71104
.....
(requires two Clamps, 71073)
- Universal Patient Brace
w/ Rectangular and Circular Pads... 71105
.....
(requires one Siderail Clamp,71073)
- Urology Drainage System
w/ 5 bags..... 71106
.....
(requires a Pelvic Base 73001)
- Urology Drainage Bags (20)
w/ Drain Hose..... 71107
.....
(used on Urology Drainage System, 71106)
- Winged Anesthesia Screen
w/ Socket..... 71108
.....
- Footswitch, 7300 Table..... 71110
.....
- Split Legs w/o Pad 71111
.....
.....
(requires a Pelvic Base, 73001 and uses a Non X-ray Pad Set [1 3/4"], 71118 or a X-ray Pad Set [3 3/4"], 71119)
- Circular Head Pad Assembly
w/ Cushion 71113
.....
(used on Universal Patient Brace Assembly, 71105)
- Cushion (3 3/4 in.), Foot
Extension 71114
.....
(used on the Foot Extension, 71112)
- Safety Strap, Conductive (1) 71116
.....
(Strap is adjustable up to 50")
- Split Leg Pad Set (1 3/4 in.) for
Non X-ray Procedures..... 71118
.....
(used on Split Leg Assy., 71111)
- Split Leg Pad Set (3 3/4 in.) for
X-ray Procedures 71119
.....
(used on Split Leg Assy., 71111)
- Side Extender Shelf 71120
.....
(for use on Infant Arm / Hand Table, 71092)
- Image Amplification (IA)
Extension w/ Cushion (36 in.) 71125
.....
(requires a Pelvic Base, 73001)
- Pelvic Base w/ Cushion..... 73001
.....
- Articulating Leg Transfer Board
w/ Cushion 73002
.....
(requires a Pelvic Base, 73001)
- Drain Pan 73003
.....
(requires a Pelvic Base, 73001)
- Image Amplification (IA)
Extension w/ Cushion (55 in.) 73004
.....
- X-ray Top, 7300 73005
.....
- Removable Back Section w/ Pad
(Neuro)..... 73006
.....
(used with 71088 Neuro Headrest or Standard Table Headrest)
- Orthopaedic Pelvic Base 73007
.....
(requires Ortho. Pelvic Base, 73007)
- Abductor Bars 73008
.....
(requires Abductor Bars, 73008)
- Clamps, Abductor Bar 73009
.....



Specifications & Accessories



- Traction Unit..... 73010
.....
.....
.....
(requires Abductor Bars, 73008; Abductor Bar Clamp, 73009; Traction Unit Exten., 73011)
- Traction Unit Extension 73011
.....
(requires Abductor Bar Clamp, 73009)
- Popliteal Support 73012
.....
.....
(requires Abductor Bar Clamp, 73009; and/or Articulating Bracket, 73015)
- Lateral Well Leg Holder 73013
(requires Abduct Bar Clamp,73009)
- Shoulder Arthroscopy Attachment.. 73014
- Articulating Bracket..... 73015
(requires Abduct Bar Clamp,73009)
- Drapery Kit..... 73016
.....
(requires Abductor Bar Clamps, 73009)
- Orthopaedic Attachment Kit..... 73018
Includes basic attachments for Orthopaedic Surgery
- X-ray Top for Back Section 73019
(requires 73006 Back Section)

LIMITED WARRANTY

SCOPE OF WARRANTY

Schaerer MEDICAL USA Inc. warrants to the original purchaser its new Surgical products and components (except for components not warranted under Exclusions) manufactured by SM-USA to be free from defects in material and workmanship under normal use and service. SM-USA's obligation under this warranty is limited to the repair or replacement, at SM-USA's option, of the parts or the products the defects of which are reported to SM-USA within the applicable warranty period and which, upon examination by SM-USA, prove to be defective.

APPLICABLE WARRANTY PERIOD

The applicable warranty period, measured from the date of delivery to the original user, shall be one (1) year for all warranted products and components.

EXCLUSIONS

This warranty does not cover and SM-USA shall not be liable for the following: (1) repairs and replacements because of misuse, abuse, negligence, alteration, accident, freight damage, or tampering; (2) products which are not installed, used, and properly cleaned as required in the SM-USA Installation and or Installation / Operation Manual for this applicable product. (3) products considered to be of a consumable nature; (4) accessories or parts not manufactured by SM-USA; (5) charges by anyone for adjustments, repairs, replacement parts, installation, or other work performed upon or in connection with such products which is not expressly authorized in writing in advance by SM-USA.

EXCLUSIVE REMEDY

SM-USA's only obligation under this warranty is the repair or replacement of defective parts. SM-USA shall not be liable for any direct, special, indirect, incidental, exemplary, or consequential damages or delay, including, but not limited to, damages for loss of profits or loss of use.

NO AUTHORIZATION

No person or firm is authorized to create for SM-USA any other obligation or liability in connection with the products.

THIS WARRANTY IS SM-USA'S ONLY WARRANTY AND IS IN LIEU OF ALL OTHER WARRANTIES, EXPRESS OR IMPLIED. SM-USA MAKES NO IMPLIED WARRANTIES OF ANY KIND INCLUDING ANY WARRANTIES OF MERCHANTABILITY OR FITNESS FOR ANY PARTICULAR PURPOSE. THIS WARRANTY IS LIMITED TO THE REPAIR OR REPLACEMENT OF DEFECTIVE PARTS.

SF-1490 REV. C

Limited
Warranty

NOTES:



Schaerer MEDICAL USA, Inc.,

675 Wilmer Avenue, Cincinnati, Ohio 45226 U.S.A.

800-755-6381

FAX 513-561-0195