

## Contents

### Repair Instructions

<b>1</b>	<b>Service strategy</b>	<b>2</b>
<b>2</b>	<b>Front view of the medical air compressor</b>	<b>3</b>
<b>3</b>	<b>Rear view of the medical air compressor</b>	<b>4</b>
<b>4</b>	<b>Location of medical air compressor assemblies (1)</b>	<b>5</b>
<b>5</b>	<b>Location of medical air compressor assemblies (2)</b>	<b>6</b>
<b>6</b>	<b>Opening the medical air compressor</b>	<b>7</b>
<b>7</b>	<b>Replace the filter sleeves of the prefilter and main filter.</b>	<b>8</b>
7.1	Removing the filter assembly .....	8
7.2	Replacing the prefilter sleeve .....	9
7.3	Replacing the main filter sleeve .....	11
7.4	Replacing the suction filter .....	13
7.5	Installing the filter assembly .....	13
<b>8</b>	<b>Standby switch of the medical air compressor (84 13 419)</b>	<b>14</b>
8.1	Resetting the operating pressure range .....	14
<b>9</b>	<b>Change information</b>	<b>16</b>
9.1	Prefilter housing .....	16
9.2	Thermostat (part of starter relay 84 12 856) .....	16
9.3	Glow lamps .....	16
9.4	Starter relay .....	16
9.5	Filter unit, new (84 14 502 / see also Service Bulletin no. 1) .....	16
9.6	Standby, changed setting of operating pressure range .....	17
9.7	Registration of compressors .....	17

## Repair Instructions

### 1 Service strategy

	Test	Repair
Inspection	Test Certificate	Minor repair Filter replacement, if necessary Tubes Fuses
On-site repair	Test Certificate	Assembly replacement
Branch/Agency (workshop)	Test Certificate	Assembly replacement
Lübeck (workshop)	Test Certificate	Assembly replacement

## 2 Front view of the medical air compressor

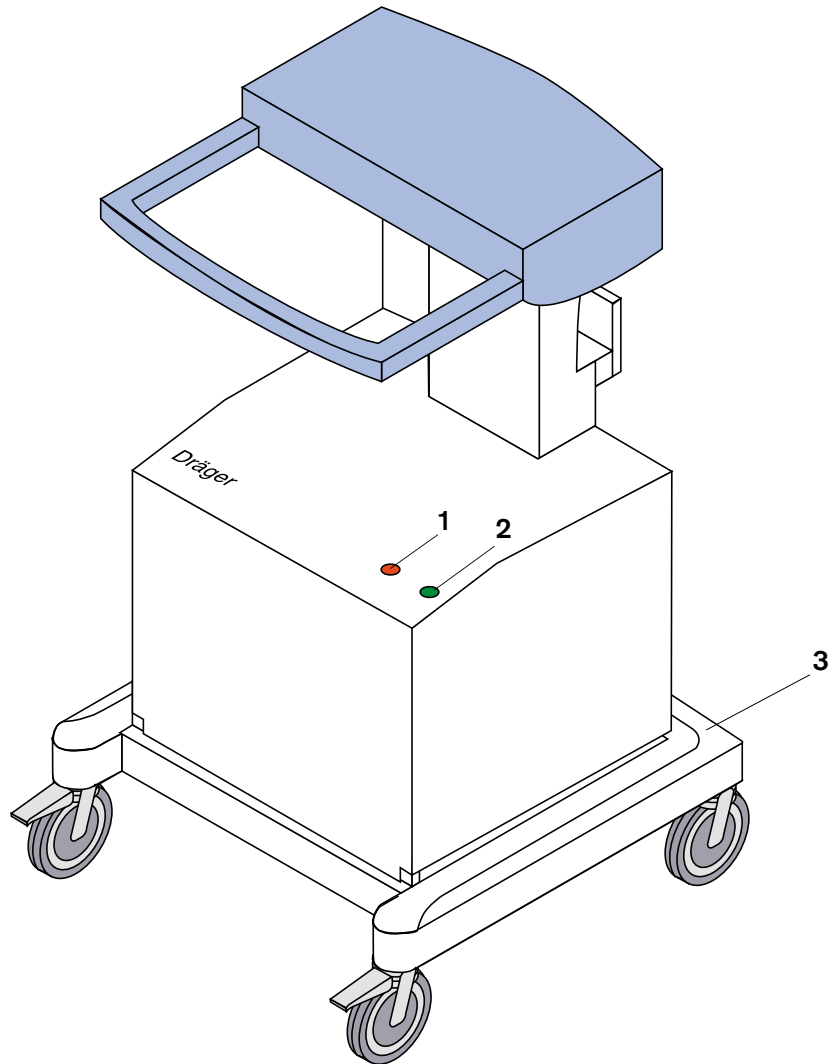


Fig. 1: Front view of the medical air compressor

### Key

- 1 Red "Overheat" indicator lamp
- 2 Green "Standby" indicator lamp
- 3 Trolley

### 3 Rear view of the medical air compressor

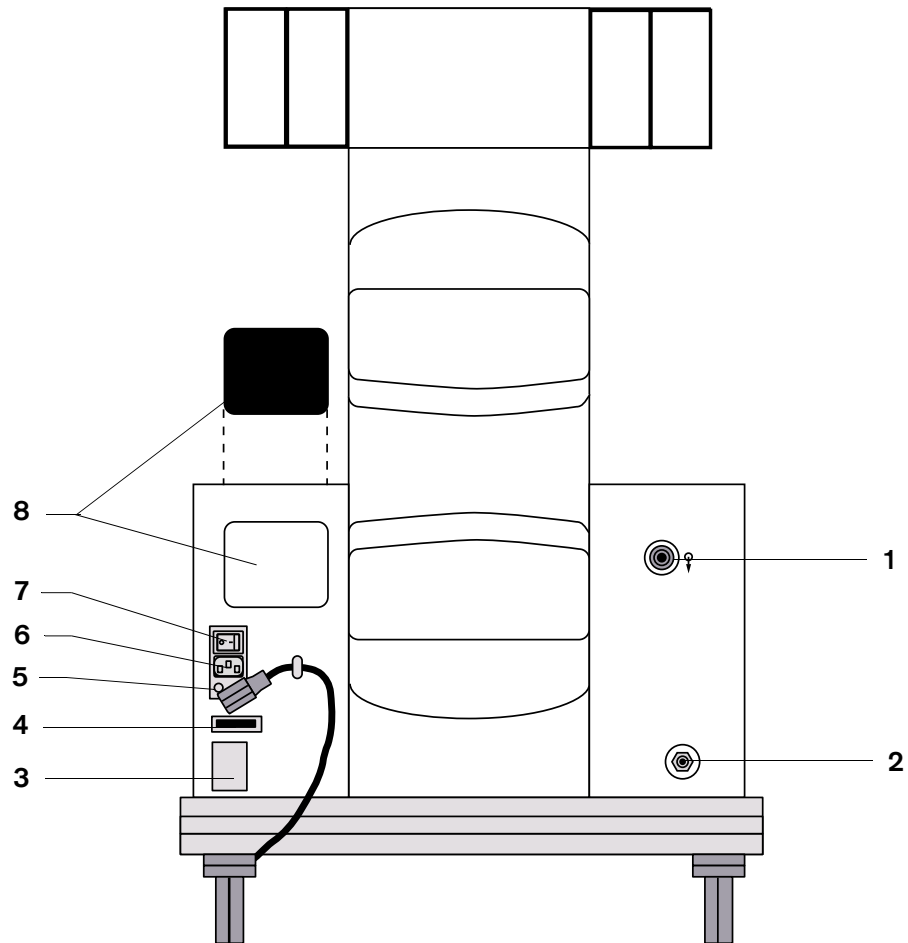
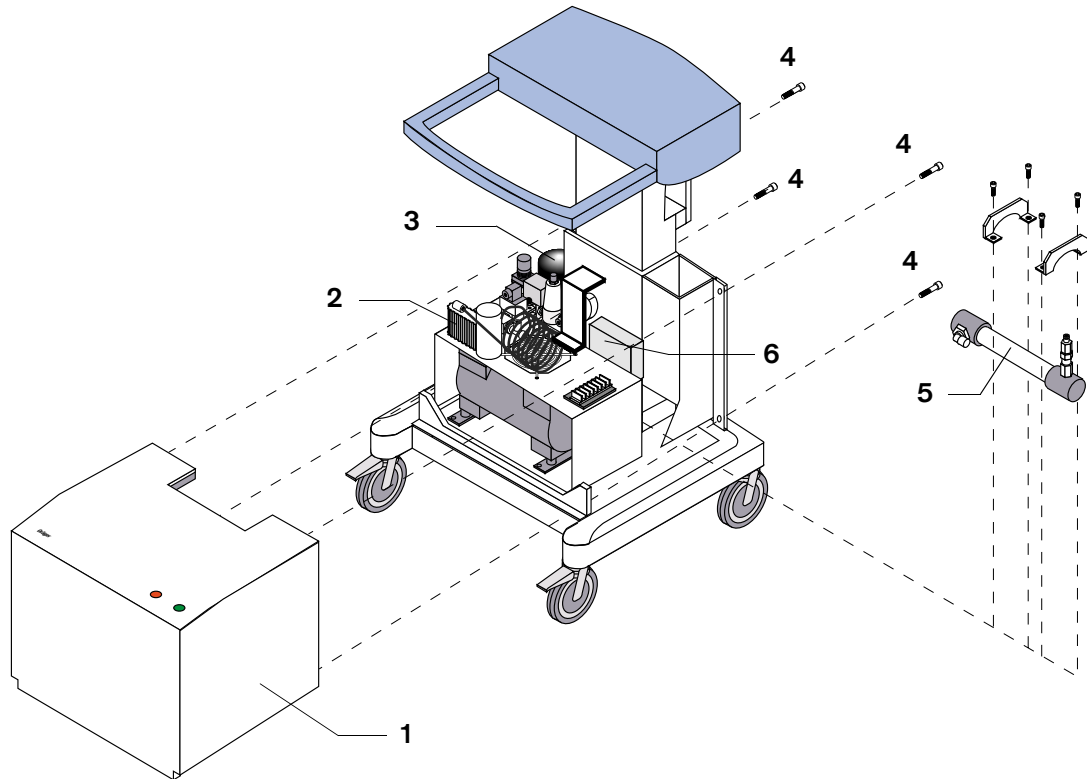


Fig. 2: Rear view of the medical air compressor

#### Key

- 1 Connection for a ventilator
- 2 Standby (optional connection for central supply system)
- 3 Typeplate
- 4 Operating hours counter
- 5 Power fuses
- 6 Mains power connection
- 7 ON/OFF switch
- 8 Suction channel with filter

## 4 Location of medical air compressor assemblies (1)

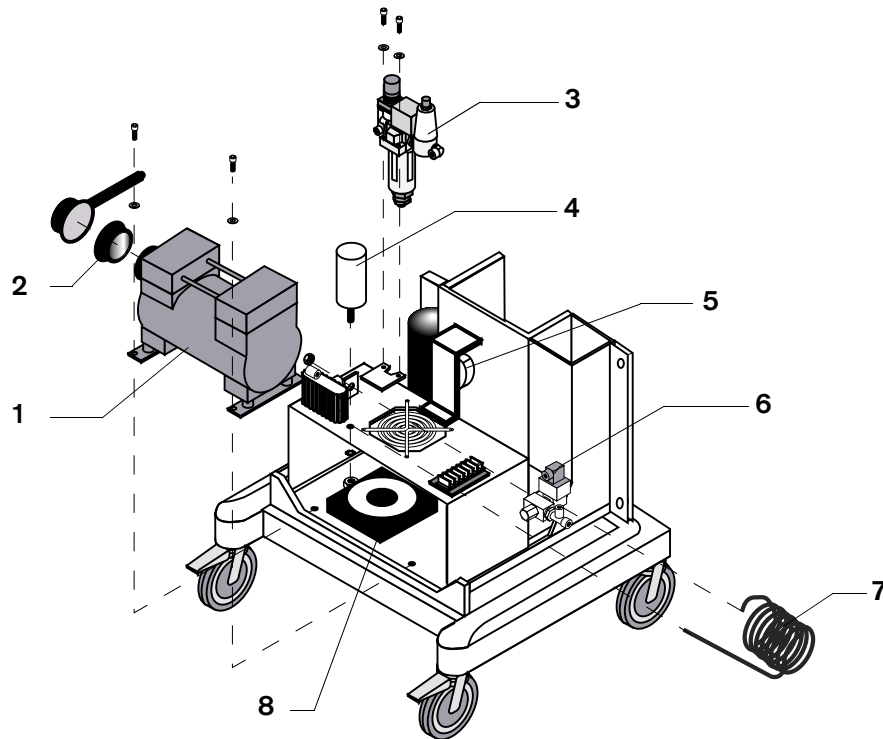


**Fig. 3:** Location of medical air compressor assemblies (1)

### Key

- |   |                  |   |                                       |
|---|------------------|---|---------------------------------------|
| 1 | Protective cover | 4 | Fixing screws                         |
| 2 | Heat exchanger   | 5 | Diaphragm drier                       |
| 3 | Pressure vessel  | 6 | Pressure switch (switchover optional) |

## 5 Location of medical air compressor assemblies (2)



**Fig. 4:** Location of medical air compressor assemblies (2)

### Key

1	Compressor	5	Buzzer
2	Suction filter	6	Solenoid
3	Filter assembly (prefilter and main filter)	7	Cooling coil
4	Starting capacitor	8	Fan

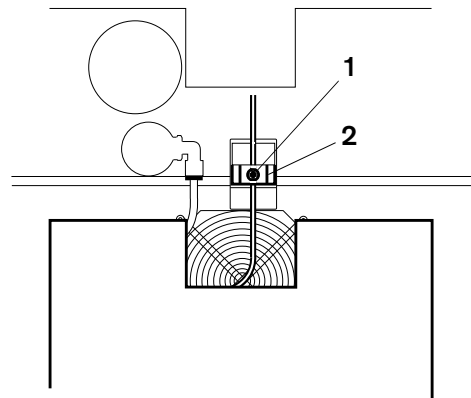
## 6 Opening the medical air compressor



Hazardous voltage. Touching live components can lead to serious injury or death.

**Pull the power plug out of the AC outlet before opening the device.**

- Remove the fixing screws from the cover (see ["Location of medical air compressor assemblies \(1\)"](#) on page 5)
- Carefully pull the protective cover back until the cable of the indicator lamp can be accessed.
- Unscrew the Phillips screw **1** from the connector.
- Remove the connector **2**.



Remove the protective cover completely.

**Fig. 5:** Indicator lamp connector

## 7 Replace the filter sleeves of the prefilter and main filter.

The following replacement description of the prefilter and main filter refers to the maintenance kit 84 11 546 (see also "[Change information](#)" and Test Certificate).

For a replacement description of the new prefilter and mainfilter (maintenance kit 84 14 501), see the Instructions for Use under "[Maintenance intervals/Removing the filter group](#)".

### 7.1 Removing the filter assembly

- Unscrew the protective cover (see "[Location of medical air compressor assemblies \(1\)](#)" on page 5) and (see "[Opening the medical air compressor](#)" on page 7)
- Unscrew both Phillips screws 1.

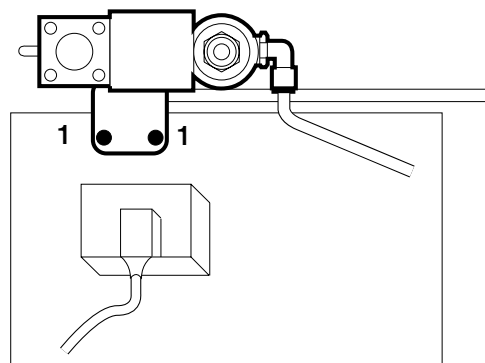


Fig. 6: Removing the filter assembly

- Push ring 2 back and hold.
- Remove hoses 3.
- Remove the filter assembly.

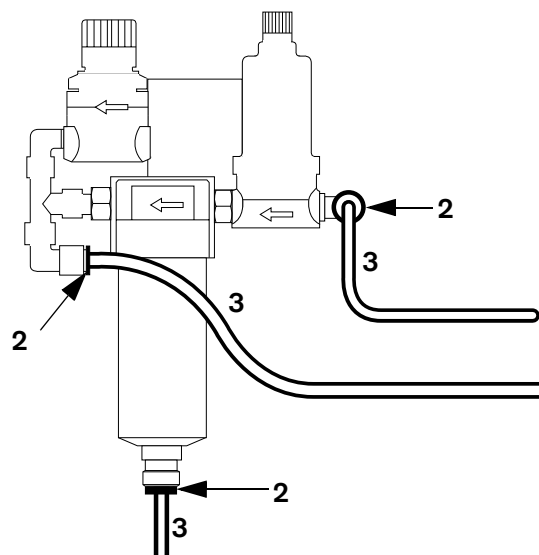
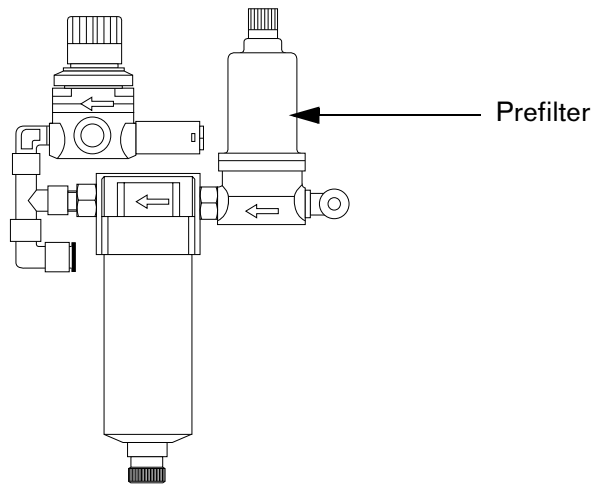


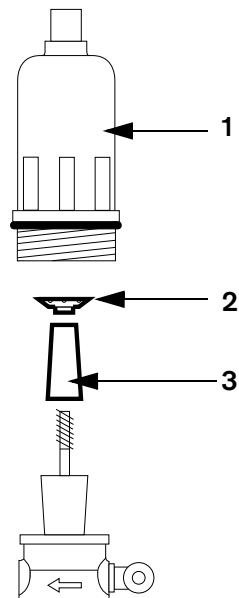
Fig. 7: Removing the filter assembly

## 7.2 Replacing the prefilter sleeve



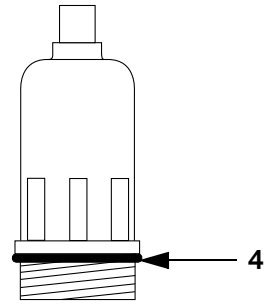
**Fig. 8:** Prefilter

- Unscrew the housing **1** manually.
- Unscrew clasp nut **2**.
- Remove filter sleeve **3** and replace with new one.
- Tighten clasp nut **2**.



**Fig. 9:** Replacing the filter sleeve

- Remove O-ring 4 from the housing and replace it with a new one.
- Tighten the housing manually.



**Fig. 10:** Replacing the O-ring

### 7.3 Replacing the main filter sleeve

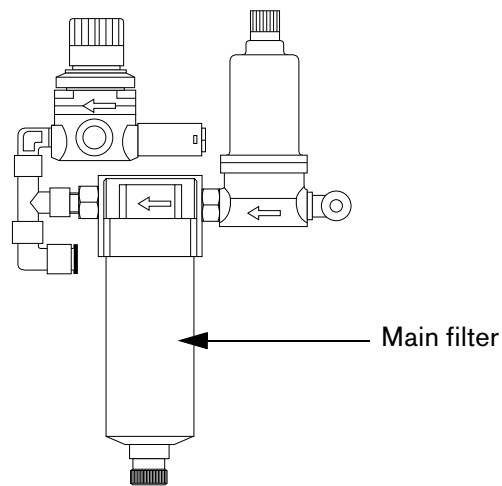


Fig. 11: Main filter

- Pull interlock 1 downwards and hold.
- Rotate housing 2 until the markings (II) are aligned.
- Remove housing 2.

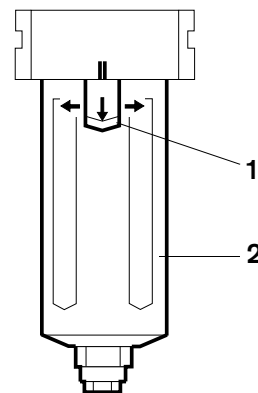
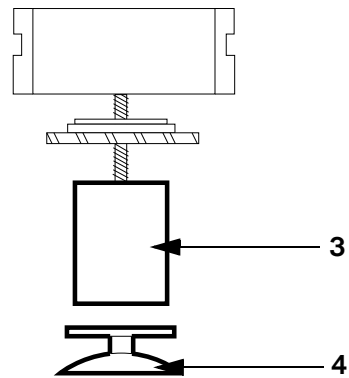


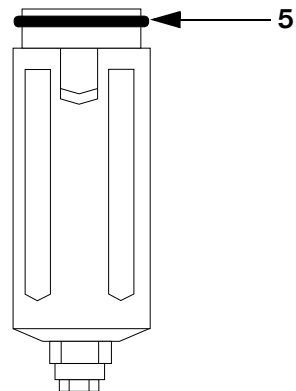
Fig. 12: Removing main filter housing

- Unscrew clasp nut **4**.
- Remove filter sleeve **3** and replace with new one.
- Tighten clasp nut **4**.



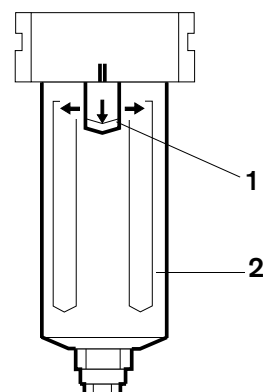
**Fig. 13:** Replacing the filter sleeve

- Remove O-ring **5** from housing and replace it with new one.



**Fig. 14:** O-ring of the main filter

- Insert housing **2** and rotate until markings (II) are aligned and the interlock **1** engages audibly.
- Pull housing **2** slightly downwards to check whether it is securely engaged.



**Fig. 15:** Engaging the main filter housing

## 7.4 Replacing the suction filter

- Unscrew both Allen screws **1**.
- Unscrew pressure hose **2** using open-end wrench WAF 19.
- Pull compressor out until filter housing **3** can be accessed.
- Rotate filter housing **3** clockwise and remove.
- Remove suction filter **4** and replace with new one.

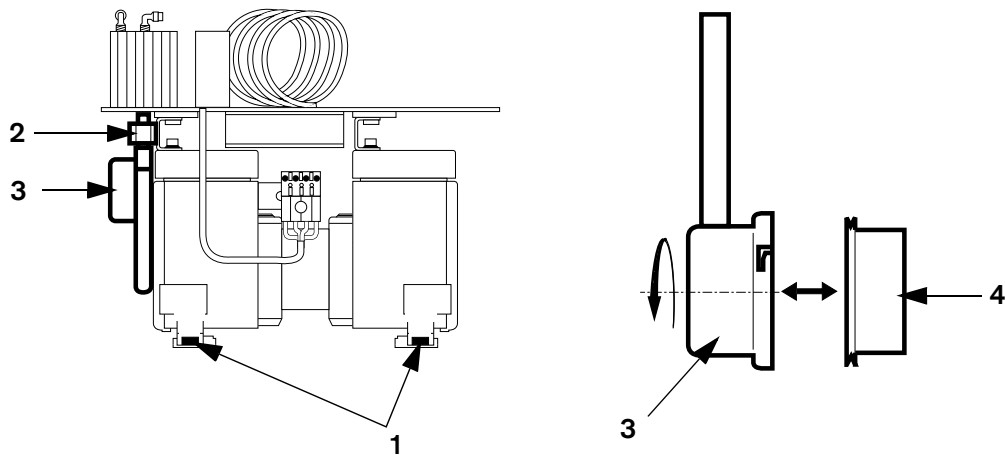


Fig. 16: Replacing the suction filter

- Re-install the suction filter.
- Re-install the compressor.

## 7.5 Installing the filter assembly

Reassemble the filter assembly using the reverse method as used for disassembly.

## 8 Standby switch of the medical air compressor (84 13 419)

### 8.1 Resetting the operating pressure range

- Set up a ventilator including test circuit.
- Connect to gas supply.
- Connect external pressure regulator/gauge to standby inlet.  
(Gas inlet connector is located at rear panel in the upper right area)
- Connect the AIR central supply hose to the pressure regulator hose.
- Connect the AIR supply of the compressor/ventilator.



Do not connect to the O2 central supply.  
Do not connect to mains power supply yet.

- Remove the four screws from the rear panel of the compressor.
- Slide protective cover of compressor open (about 25 cm).
- Remove dark plastic cover from standby switch (located directly behind the transformer on the right side and is secured with 2 screws).



- Connect ventilator and compressor to mains power supply.
- Switch compressor on.
- Switch ventilator to standby mode and activate Service Mode to monitor internal pressures.

- Measure current switching points and set delta P to < 15 psi / < 1 bar (adjusting screws is located in the lower portion of the switch).
- Measure switching point and set starting pressure to 35 psi / 2.4 bar using external pressure regulator (adjusting screw is located in the center portion of the switch).

Delta P adjustment



Increase/decrease operating pressure.



Compressor should start before the "AIR supply insufficient" alarm is triggered.

- Measure switching point and set switch-off pressure to 50 psi / 3.4 bar using external pressure regulator (adjusting screw is located in the center portion of the switch).
- Check settings of starting pressure (35 psi / 2,4 bar) and switch-off pressure (50 psi / 3,4 bar) under flow conditions as specified in the Test Certificate (ventilator settings: CMV, flow max. (AutoFlow off) , Vt max., rate 15, FiO2: 21).
- Reassemble standby switch and compressor.
- Remove external pressure regulator/gauge.

## 9 Change information



This change information is for information only, built-in components are only replaced with new versions in case of repair.

### 9.1 Prefilter housing

As of serial number ARML0020, the prefilter housing will be made of metal.

### 9.2 Thermostat (part of starter relay 84 12 856)

To avoid frequent alarms, the thermostat has been set from 40 °C to 75 °C. This change has been implemented in devices from serial number ARMM0054 (84 13 900) or ARMN0101 (84 13 419), respectively.

### 9.3 Glow lamps

Due to a change in the circuit of 110 V compressors, defective glow lamps will be replaced only with 230 V glow lamps (Red glow lamp: 84 13 869, green glow lamp: 84 13 870).

### 9.4 Starter relay

The starter relay has been provided with a new timer. This change has implemented in series units starting with the following serial numbers: ARNJ 0088 (84 13 900), ARNJ 0017 (84 13 419), and ARNK 0031 (84 13 893).

### 9.5 Filter unit, new (84 14 502 / see also Service Bulletin no. 1)

To protect the diaphragm drier more efficiently, the filter unit has been equipped with a finer fine filter. A new maintenance kit is also available for the new filter unit. This change has implemented in series units starting with serial numbers ARMJ0020.

Further information: According to Service Bulletin no. 1, this filter unit has to be replaced when a defective diaphragm drier is replaced (a notice to do so has been attached on the outside of the unit) because the new maintenance kit, P/N 84 13 501, has to be installed in this case.

## **9.6 Standby, changed setting of operating pressure range**

The pressure range has been changed (as described in the Repair Instructions, section [8](#)) due to the pressure supply of 3 bar available in different countries. The pressure range has been changed in compressors from serial number ARPB 0001. At the same time, a modified non-return valve (no spare part) has been installed in the storage.

## **9.7 Registration of compressors**

As of serial number ARPD 0001, compressors are subject to registration. The units are shipped with new Instructions for Use containing the changed pressure settings.

## Functional description

### 1 General information on medical air compressor

The medical air compressor drives ventilators which have a gas consumption rate of < 30 L/min.



If the medical air compressor and ventilator are installed in different rooms, make sure that the compressor is not in a warmer environment than the ventilator, as otherwise condensation on the ventilator is inevitable!

The start-up current of the medical air compressor is extremely high. Make sure that the power supply is adequately dimensioned if several compressors are connected.

Make sure the intake and exhaust never become contaminated or blocked, as otherwise the temperature in the compressor housing will increase and the medical air will no longer be adequately cooled.

## 2 Functional description of medical air compressor

In the switch-on phase, the medical air compressor draws in ambient air through the intake filter 1. This air is compressed in the compressor 2 and cooled in the cooling coil 3.

To avoid start-up under increased pressure, the solenoid valve 4 is briefly opened to the atmosphere on start-up. On completion of this period, the solenoid valve 4 closes and the compressor builds up pressure.

The compressed air is cleaned by the prefilter 5. Condensate is collected and removed in the condensate trap 6. The air is re-heated by the heat exchanger 8 in order to convert any residual moisture in the vapour.

The air is dehumidified in the diaphragm dryer 9. The dehumidified air then passes through the restrictor nozzle 10 and non-return valve 11 into the pressure vessel 12. The air can be drawn off at the medical-air outlet 13.

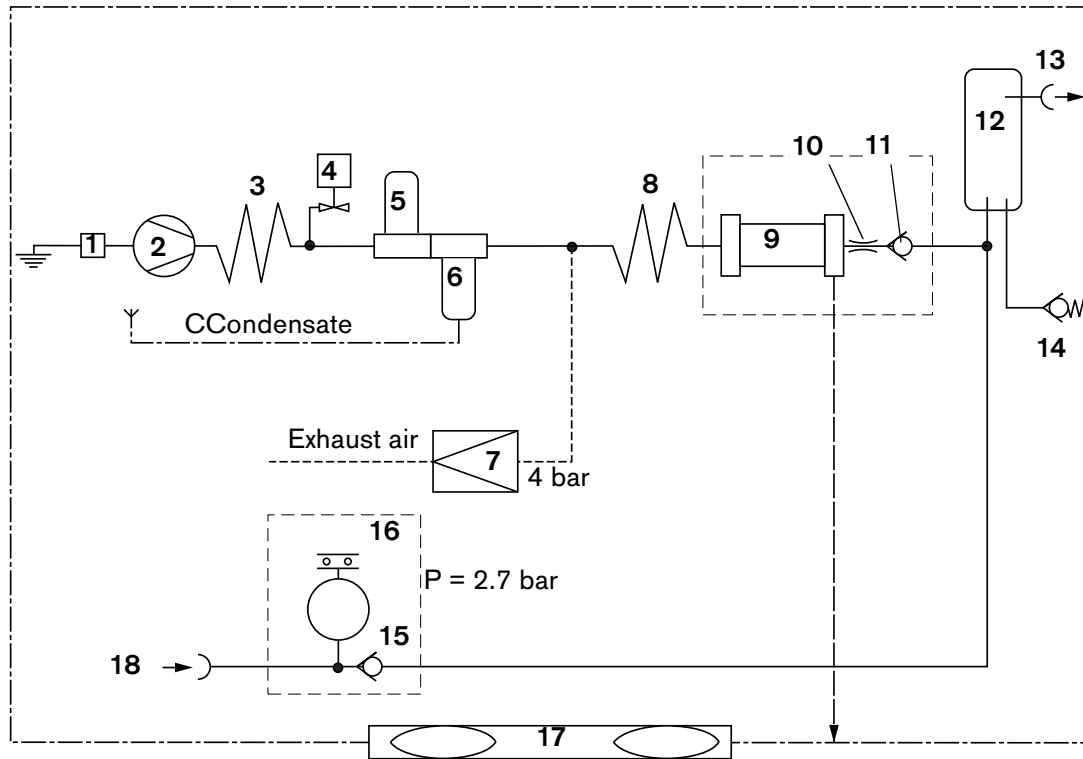
In standby mode, the ventilator draws air from the central medical-air supply via the medical-air inlet 18, the non-return valve 15 and the self-closing medical-air outlet 13. In this case, the compressor 2 remains on standby.

If the pressure in the central medical-air supply drops below 2.7 bar, the pressure switch 16 switches on the compressor 2.

When the pressure in the central medical-air supply reaches 4 bar again, the pressure switch 16 switches off the compressor 2.

The pressure limiter 7 restricts the pressure in the system to max. 4 bar. The relief valve 14 protects the unit against excessively high pressure from the central medical-air supply.

## 2.1 Block diagram of medical air compressor



**Fig. 1:** Block diagram of medical air compressor

### Key

1	Intake filter	10	Restrictor nozzle
2	Kompressor	11	Non-return valve
3	Cooling coil	12	Pressure vessel
4	Solenoid valve	13	Medical-air outlet
5	Prefilter	14	Relief valve
6	Condensate trap	15	Non-return valve
7	Pressure limiter	16	Pressure switch
8	Heat exchanger	17	Fan
9	Diaphragm dryer	18	Input for standby mode

### 2.1.1 Diaphragm dryer

The entire drying procedure is a continuous operation. Moist compressed air flows through a bundle of highly selective hollow-fibre diaphragms 1 in the module. The inner side of these hollow-fibre diaphragms is provided with an ultra-thin layer through which only water vapour can penetrate.

On leaving the module, part of the compressed-air flow is diverted as flushing air 2 and its pressure reduced to atmospheric level. As a result, the flushing air is considerably drier than the compressed air entering the module. In the counterflow 3, this flushing air is routed along the outside of the hollow-fibre diaphragms, thus producing a water-vapour concentration gradient between the inner and outer side of the diaphragm. This difference in water vapour concentration between the compressed air and flushing air causes the water molecules to constantly migrate into the flushing air. Enriched with moisture, the flushing air exits from the module through a silencer.

Water vapour is extracted from the compressed air. This water vapour is dried before exiting from the module.

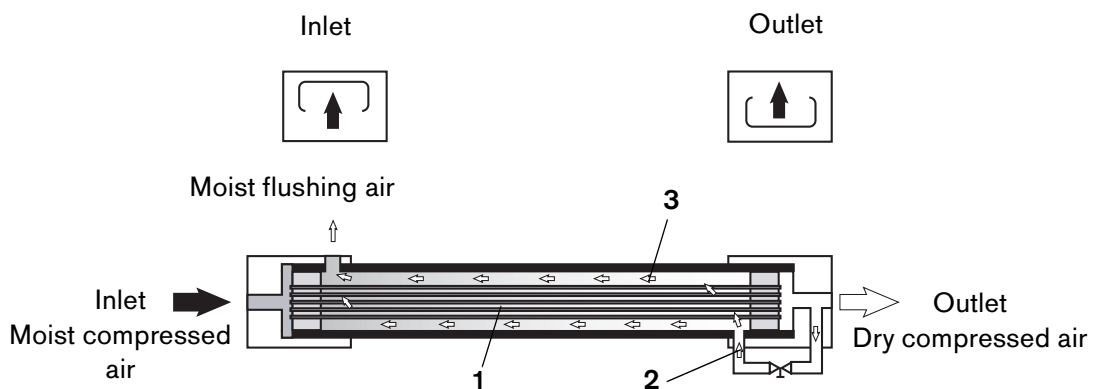


Fig. 2: Diaphragm dryer

## 2.2 Compressor

The compressor is of the two-cylinder dry-running type and supplies a continuous flow of approx.  $V = 30$  L/min at a pressure of  $P = 3$  bar. An integrated temperature limitation circuit (NTC thermistor) in the motor winding prevents heat generation during operation.

### 2.3 Power supply system

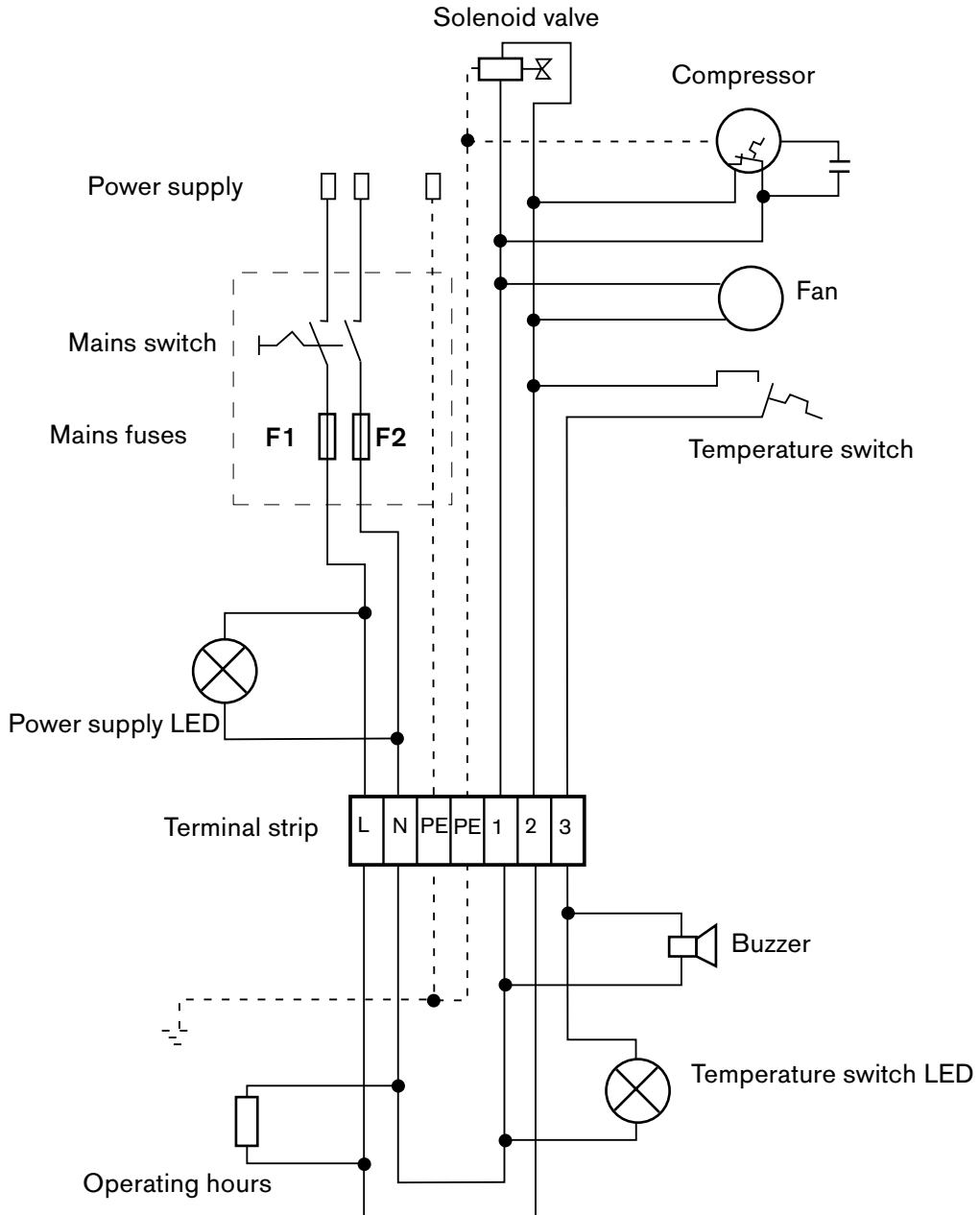


Fig. 3: Circuit diagram

GBF5692200T01.fm 18.06.98  
For internal use only. Copyright reserved.