

FLEXIPole

Technical Service Manual

1000PB00131
Issue 3



ALARIS[®]
MEDICAL SYSTEMS

Medication Safety
at the Point of Care™

GENERAL INFORMATION		
1.1	Introduction	3
1.2	General Precautions	3
1.3	Service Contacts	3
1.4	Document History	3
ELECTRICAL DIAGRAMS		
2.1	Link Cable Assy (1000EL00155)	4
2.2	FLEXIPole 2-Way Loom Assy (1000EL00156)	4
2.3	FLEXIPole 4-Way Loom Assy (1000EL00157)	4
MECHANICAL ASSEMBLY DRAWINGS AND PARTS LISTS		
3.1	FLEXIPole Assy	5
3.2	FLEXIPole Assy Spare Parts Lists	10
DISASSEMBLY, COMPONENT REPLACEMENT AND ASSEMBLY		
4.1	General Fitting & Removal Information	11
4.2	Fitting & Removal Instructions - Mains Outlet	11
4.3	Fitting & Removal Instructions - Mains Inlet	11
4.4	Fitting & Removal Instructions - Labels	11



This manual has been prepared for use by qualified service personnel only. ALARIS Medical Systems cannot accept any liability for any breakdown or deterioration in performance of parts or equipment resulting from unauthorised repair or modification.

GENERAL INFORMATION

1.1 INTRODUCTION

The IVAC® FLEXIPole is a fully featured accessory for use with the IVAC® 'P' Series Syringe Pumps (P1000, P2000, P3000, P4000, PCAM, P6000, P7000, TIVA, and TCI&TIVA).

Carefully study the directions for use prior to attempting any repairs or servicing, to ensure familiarity with this product.

As part of a policy of continuous improvement, product enhancements and changes are introduced from time to time.

1.2 GENERAL PRECAUTIONS

Please read the general Operating Precautions described in the Directions for Use carefully prior to using this product.



An explosion hazard exists if the product is used in the presence of flammable anaesthetics. Exercise care to locate the product away from any such hazardous sources.



An electrical shock hazard exists if the products casing is opened or removed. Refer all servicing to qualified service personnel.

If the product is dropped, subjected to excessive moisture, humidity or high temperature, or otherwise suspected to have been damaged, remove it from service for inspection by a qualified service engineer.

1.3 SERVICE CONTACTS

For service contact your local ALARIS Medical Systems Affiliate Office or Distributor.

ALARIS Medical Systems Service Centre Addresses:

AE
ALARIS Medical Systems Middle
East Office,
PO Box 5527,
Dubai, United Arab Emirates.
Tel: (971) 4 28 22 842
Fax: (971) 4 28 22 914

CN
ALARIS Medical Systems,
Shanghai Representative Office,
Suite 9B, Century Ba-Shi Building,
398 Huai Hai Rd(M.),
Shanghai 200020,
China.
Tel: (56) 8621-63844603
Tel: (56) 8621-63844493
Fax: (56) 8621-6384-4025

GB - Manufacturer's Address:
ALARIS Medical UK Ltd,
The Crescent, Jays Close,
Basingstoke,
Hampshire, RG22 4BS,
United Kingdom.
Tel: (44) 0800 389 6972
Fax: (44) 1256 388 411

NO
ALARIS Medical Norway A/S
Solbråveien 10 A,
1383 ASKER,
Norge.
Tel: (47) 66 98 76 00
Fax: (47) 66 98 76 01

AU
ALARIS Medical Australia Pty Ltd,
8/167 Prospect Highway,
Seven Hills, NSW 2147,
Australia.
Tel: (61) 2 9838 0255
Fax: (61) 2 9674 4444
Fax: (61) 2 9624 9030

DE
ALARIS Medical Deutschland, GmbH,
Pascalstr. 2,
52499 Baesweiler,
Deutschland.
Tel: (49) 2401 604 0
Fax: (49) 2401 604 121

HU
ALARIS Medical Hungary
Döbrentei tér 1,
H-1013 Budapest,
Magyar.
Tel: (36) 14 88 0232
Tel: (36) 14 88 0233
Fax: (36) 12 01 5987

NZ
ALARIS Medical NZ Ltd,
Unit 14, 13 Highbrook Drive,
East Tamaki, Auckland,
New Zealand.
Tel: (64) 9 273 3901
Fax: (64) 9 273 3098

BE
ALARIS Medical Belgium B.V.,
Otto De Mentockplein 19,
1853 Strombeek - Bever,
Belgium.
Tel: (32) 2 267 38 99
Fax: (32) 2 267 99 21

ES
ALARIS Medical España, S.L.,
Avenida Valdeparra 27,
Edificio Alcor,
28108 - Alcobendas, Madrid,
España.
Tel: (34) 91 657 20 31
Fax: (34) 91 657 20 42

IT
ALARIS Medical Italia S.P.A.
Via Ticino 4,
50019 Sesto Fiorentino,
Firenze, Italia.
Tél: (39) 055 34 00 23
Fax: (39) 055 34 00 24

SE
ALARIS Medical Nordic, AB
Hammarbacken 4B, Box 452
191 24 Sollentuna,
Sverige.
Tel: (46) 8 544 43 200
Fax: (46) 8 544 43 225

CA
ALARIS Medical Canada, Ltd, 235
Shields Court,
Markham,
Ontario L3R 8V2,
Canada.
Tel: (1) 905-752-3333
800-908-9918
Fax: (1) 905-752-3343

FR
ALARIS Medical France, S.A.,
95, rue Péreire,
78105 St Germain en Laye Cedex.
France.
Tél: (33) 0 820 821 123
Fax: (33) 1 30 61 22 23

NL
ALARIS Medical Holland, B.V.,
Kantorenpannd "Hoefse Wing",
Printerweg, 11,
3821 AP Amersfoort,
Nederland.
Tel: (31) 33 455 51 00
Fax: (31) 33 455 51 01

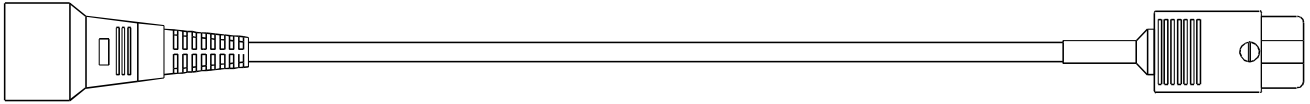
US
ALARIS Medical Systems, Inc.
10221 Wateridge Circle,
San Diego, CA 92121,
USA.
Tel: (1) 800 854 7128
Fax: (1) 858 458 6179

ZA
ALARIS Medical S.A. (Pty) Ltd,
Unit 2, Oude Molen Business Unit,
Oude Molen Road, Ndabeni,
Cape Town 7405, South Africa.
Tel: (27) (0) 860 597 572
Tel: (27) 21 510 7562
Fax: (27) 21 5107567

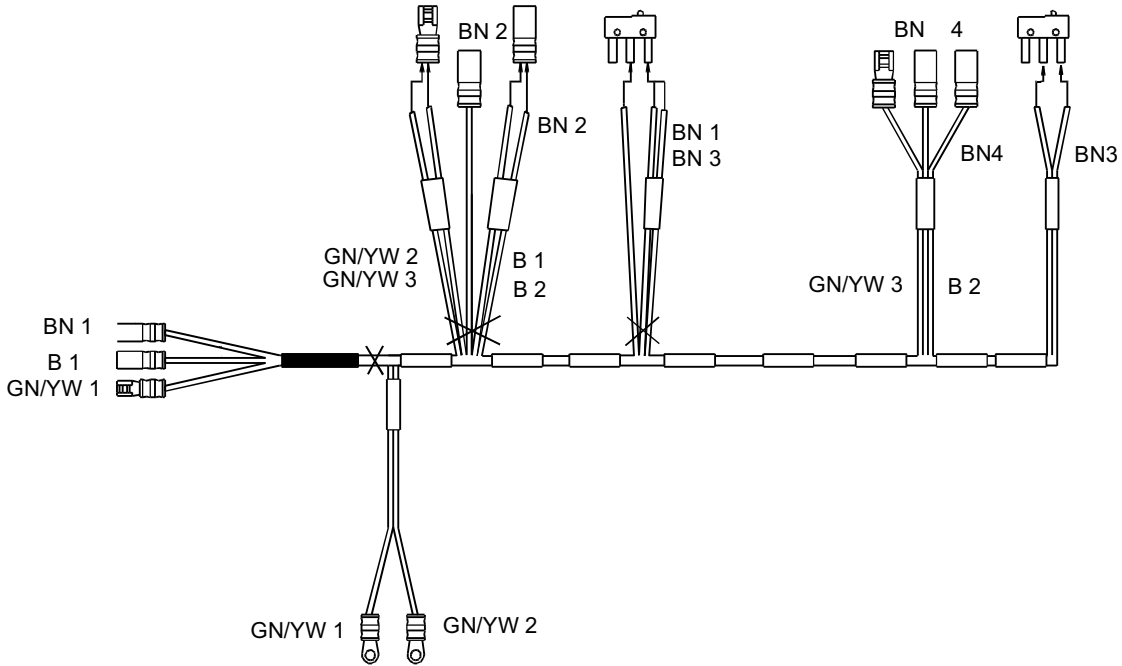
1.4 DOCUMENT HISTORY

Revision	CO Number	Date	Description of Change/Changed by:
1		Production	Production, LN
2	CO2276	30-Jan-2001	Updated to current configuration, DJM
3	CO4716	28-Oct-2004	Updated format and to current configuration, ICT

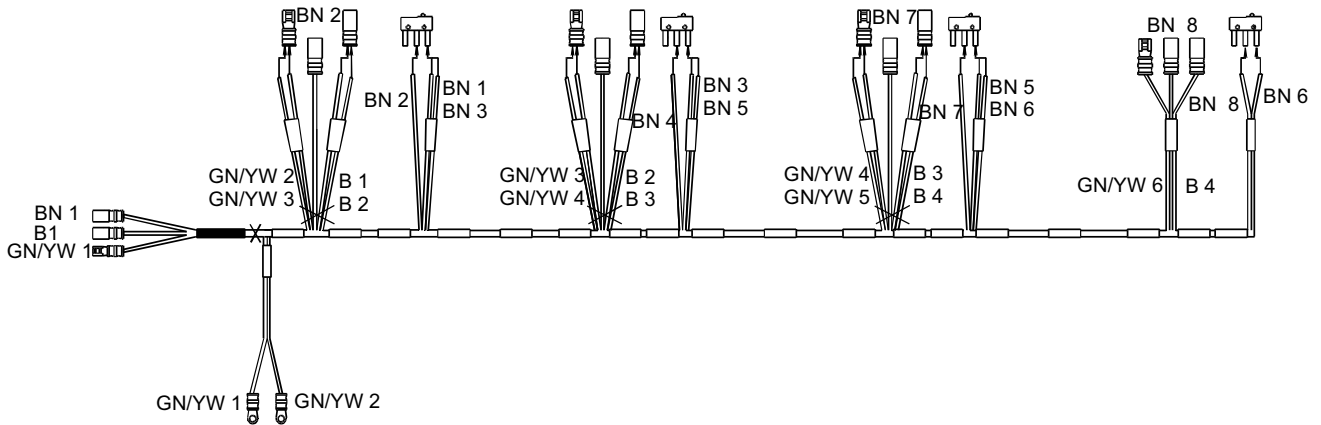
2.1 LINK CABLE ASSY (1000EL00155)



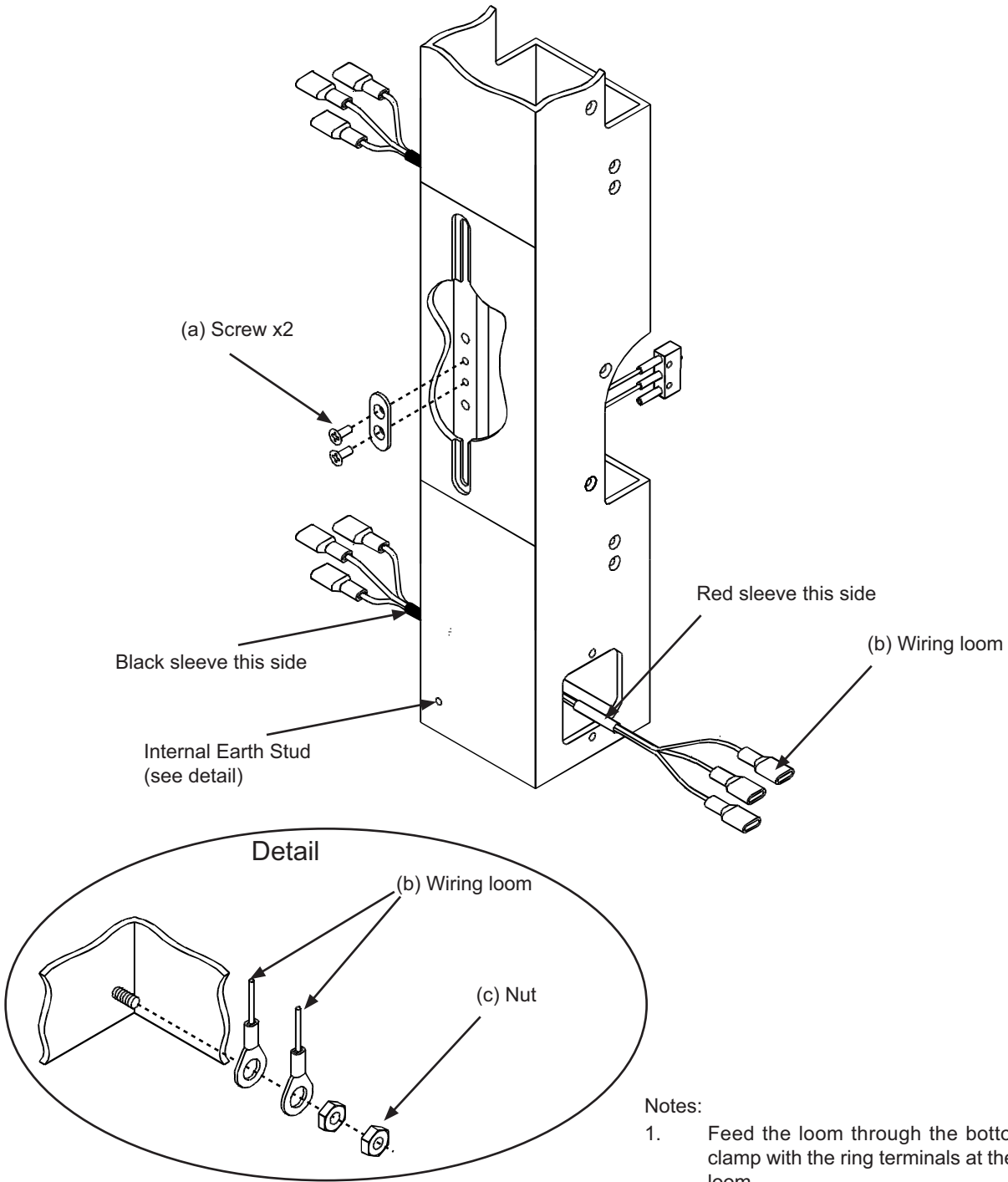
2.2 FLEXIPole 2-WAY Loom Assy (1000EL00156)



2.3 FLEXIPole 4-WAY Loom Assy (1000EL00157)

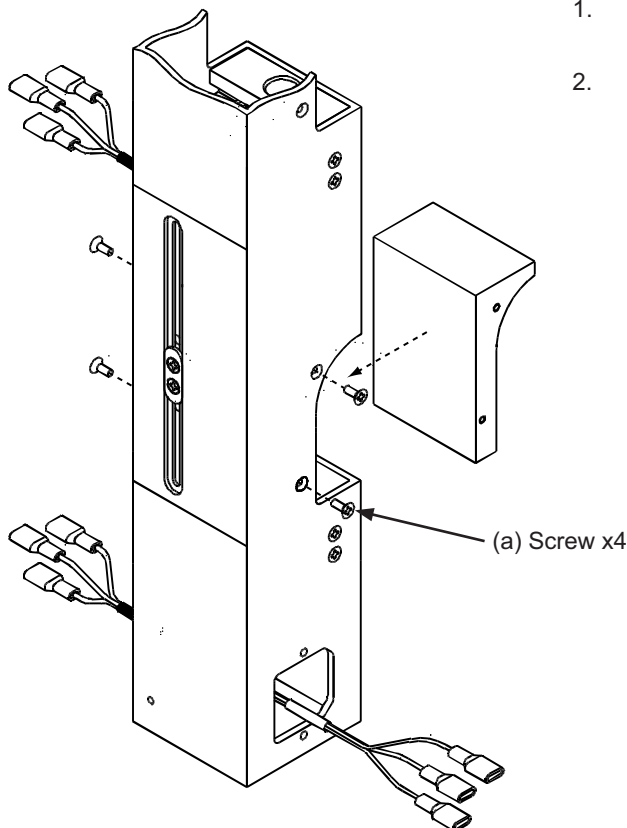
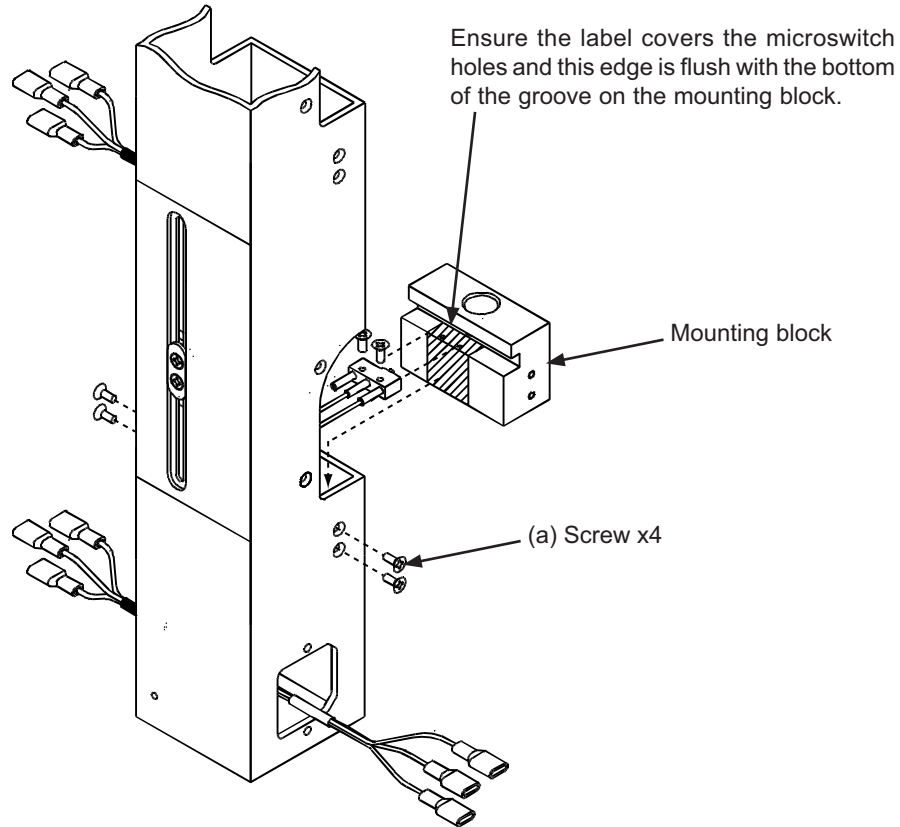


3.1 FLEXIPOLE Assy



Item	Part Number	Description
a	0000ME00268	Screw M3x8 csk hd posi ss
b	1000EL00156	Assy loom FlexiPole 2 way
	1000EL00157	Assy loom FlexiPole 4 way
c	0000ME00292	Nut M3 s/s

3.1 FLEXIPOLE Assy (CONTINUED)

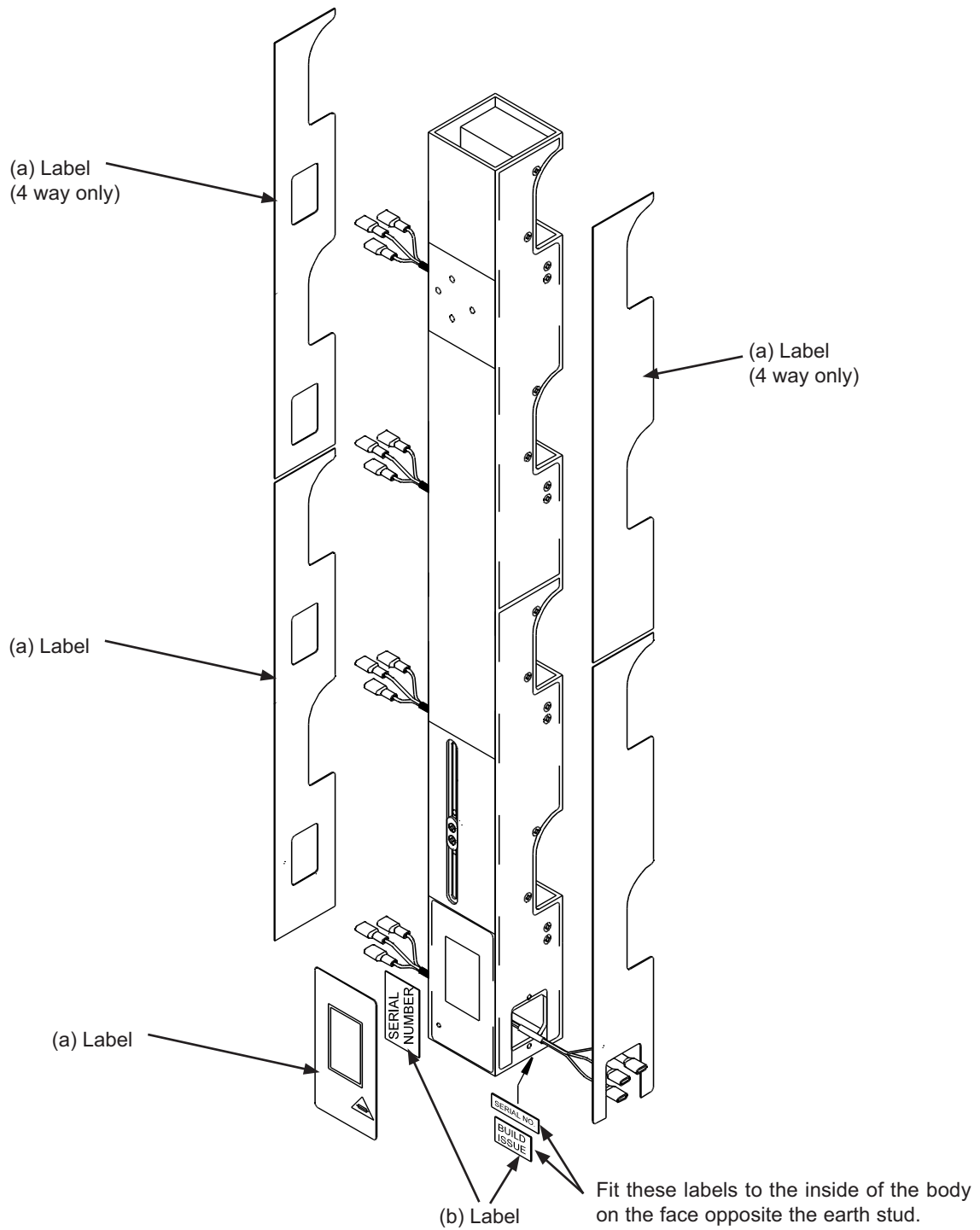


Notes:

1. Clean the mounting block with ISO prior to fitting the label.
2. When fitting the microswitch ensure the face with the white markings is against the mounting block edge. Also ensure the microswitch button is centralised in the mounting block hole.

Item	Part Number	Description
a	0000ME00268	Screw M3x8 csk hd posi ss

3.1 FLEXIPOLE ASSY (CONTINUED)

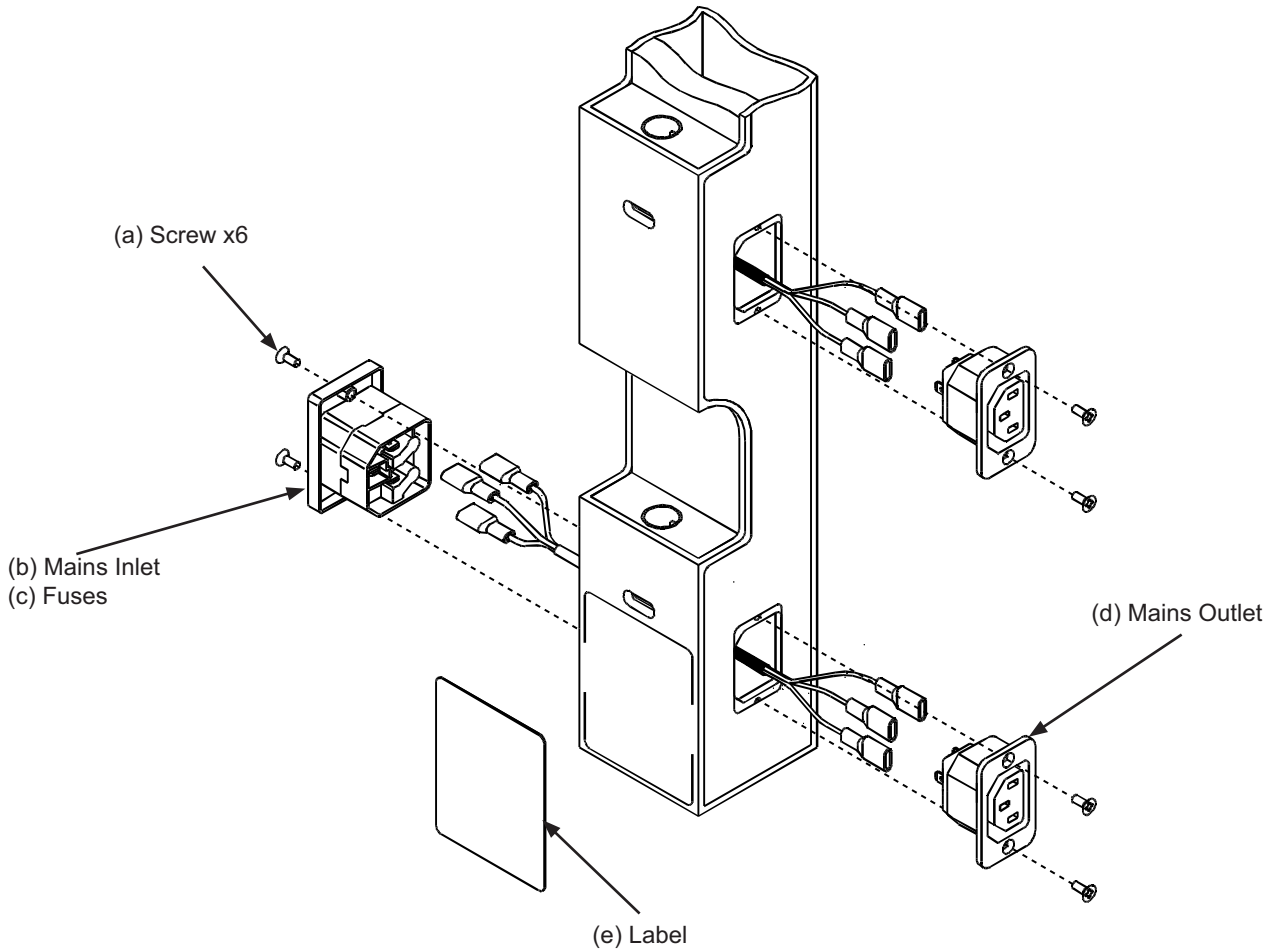


Notes:

1. Clean the body with ISO prior to fitting the labels.

Item	Part Number	Description
a	1000LB00343	Label set Flexipole 2 way
	1000LB00373	Label set Flexipole 4 way
b	1000LB00102	Label combined serial number and status

3.1 FLEXIPOLE Assys (CONTINUED)



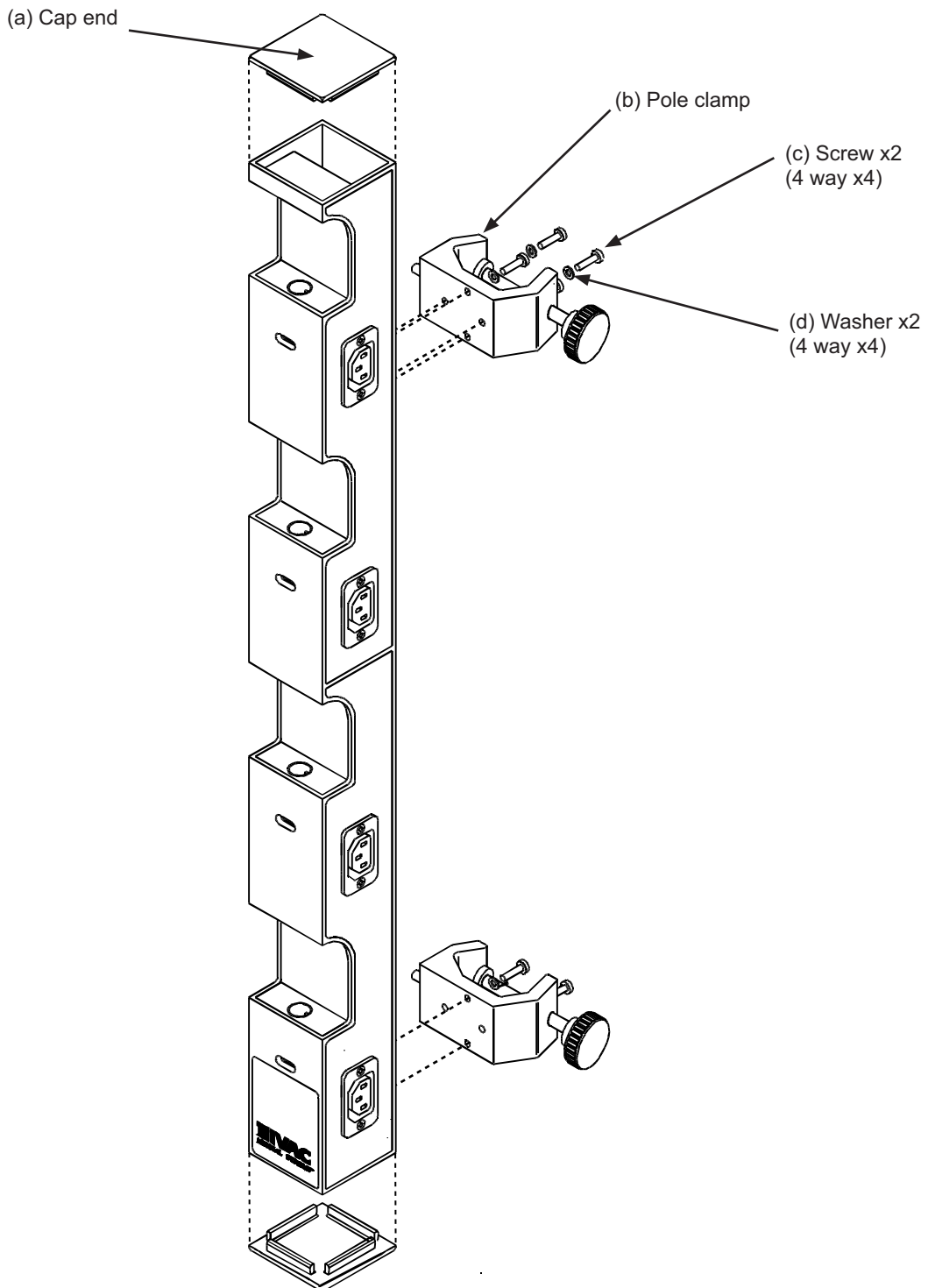
Notes:

1. Clean the area with ISO prior to fitting the label.
2. Ensure the correct fuses (2A - 2 way & 3.15A - 4 way) are fitted to the mains outlet.
3. Connect the loom crimps to the mains inlet & outlets prior to fitting:

Blue - Neutral (N)
 Brown - Live (L)
 Earth/Yellow - Earth (E)

Item	Part Number	Description
a	0000ME00230	Screw M3x8 csk hd pozi z+black
b	0000EL00509	Inlet mains iec panel/fuse holder
c	0000EL00887	Fuse 3.15A (4 way)
	0000EL00888	Fuse 2A (2 way)
d	0000EL00508	Outlet mains iec panel
e	1000LB00343	Label set Flexipole 2 way
	1000LB00373	Label set Flexipole 4 way

3.1 FLEXIPole Assy (CONTINUED)



Item	Part Number	Description
a	1000ME00190	Cap end multi-pump pole
b	1000SP00076	Assy pole clamp 40mm swaged
c	0000ME00227	Screw M4x16 pan hd posi 2 zp+p
d	0000ME00286	Washer M4 shakeproof

3.2 FLEXIPole AssY SPARE PARTS LIST

Component	Material description
0000ME00292	NUT M3 S/S
0000ME00268	SCREW M3x8 CSK HD POSI SS
0000ME00227	SCREW M4x16 PAN HD POSI 2 ZP+P
0000ME00286	WASHER M4 SHAKEPROOF
1000EL00157	ASSY LOOM FLEXIPole 4 WAY
0000ME00230	SCREW M3x8 CSK HD POSI Z+BLACK
1000LB00373	LABEL SET FLEXIPole (4 way)
0000EL00887	FUSE 3.15A
0000EL00509	INLET MAINS IEC PANEL/FUSE HOLDER
1000ME00190	CAP END MULTI-PUMP POLE
1000LB00102	LABEL COMBINED SERIAL NUMBER & STATUS
1000EL00156	ASSY LOOM FLEXIPole 2 WAY
1000LB00343	LABEL SET FLEXIPole (2 way)
0000EL00888	FUSE 2A
0000EL00652	CABLE MAINS LINK FLEXIPole
0000EL00508	OUTLET MAINS IEC PANEL
1000SP00076	ASSY POLE CLAMP 40MM SWAGED

4.1 GENERAL FITTING & REMOVAL INFORMATION

This instruction applies only to the IVAC® FLEXIPole.

Ensure the unit is disconnected from AC power supply and switched off before attempting to service the unit.

Ensure all the electrical safety tests are carried out as recommended below after any component fitting.

For additional technical assistance, contact your local ALARIS® Service Operations.

4.2 FITTING & REMOVAL INSTRUCTIONS - MAINS OUTLET

- ◆ Remove the two M3X8 (0000ME00230) csk hd posi black screws.
- ◆ Remove the mains outlet (0000ME00508), next pull the crimps off that are connected to the mains outlet.

Wiring *Brown - Live*
 Blue - Neutral
 Green/Yellow - Earth

- ◆ Replace the mains outlet with the new one and refit the crimps onto the new outlet.
- ◆ Once the new outlet has been fitted carefully replace the wiring and push the mains outlet back into position.
- ◆ Fit the two M3X8 (0000ME00230) securing the mains outlet. Repeat to the other mains outlet if required.
- ◆ Perform the electrical safety test described in this section.

4.3 FITTING & REMOVAL INSTRUCTIONS - MAINS INLET

- ◆ Remove the two M3X8 (0000ME00230) csk hd posi black screws.
- ◆ Remove the mains inlet (0000ME00509), next pull the crimps off that are connected to the mains inlet.

Wiring *Brown - Live*
 Blue - Neutral
 Green/Yellow - Earth

- ◆ Replace the mains outlet with the new one and refit the crimps onto the new inlet.
- ◆ Once the new inlet has been fitted carefully replace the wiring and push the mains outlet back into position.
- ◆ Fit the two M3X8 (0000ME00230) securing the mains inlet.
- ◆ Perform the electrical safety test described in this section.

4.4 FITTING & REMOVAL INSTRUCTIONS - LABELS

- ◆ Carefully remove the mains inlets and mains outlet
- ◆ Using a sharp edge (eg a scalpel). Carefully lift one corner of the panel taking care not to damage the surface.
- ◆ Peel the panel away, Pull or rub off any adhesive residual and then degrease the side with isopropyl alcohol. Ensure that the solvent does not enter the casing and get on the wiring.
- ◆ Fit the new labels making sure that the surface stays clean.
- ◆ Refit the mains inlets and mains outlets taking care to ensure the wiring follows the coding below.

Wiring *Brown - Live*
 Blue - Neutral
 Green/Yellow - Earth

- ◆ Once the inlets/outlets have been fitted carefully replace the wiring and push the mains outlet back into position.
- ◆ Refit the fixing screws to secure the inlets/outlets.
- ◆ Perform the electrical safety test described in this section.