

Valleylab

SERVICE MANUAL

Force EZ™ -C Series  
Electrosurgical Generator  
Schematics Supplement





---

# Schematics Contents

Effect Mode Controller Assembly.....	5
Effect Mode Controller- Sheet 1 of 2.....	6
Effect Mode Controller - Sheet 2 of 2.....	7
Display Board Schematic - Sheet 1 of 4 .....	8
Display Board Schematic - Sheet 2 of 4 .....	9
Display Board Schematic - Sheet 3 of 4 .....	10
Display Board Schematic - Sheet 2 of 4 .....	11
Footswitch Board Layout .....	12
Footswitch Board Schematic - Sheet 1 of 1 .....	13
Power Supply/RF Board Assembly.....	14
Power Supply/RF Board Schematic - Sheet 1 of 7 .....	15
Power Supply/RF Board Schematic - Sheet 2 of 7 .....	16
Power Supply/RF Board Schematic - Sheet 3 of 7 .....	17
Power Supply/RF Board Schematic - Sheet 4 of 7 .....	18
Power Supply/RF Board Schematic - Sheet 5 of 7 .....	19
Power Supply/RF Board Schematic - Sheet 6 of 7 .....	20
Power Supply/RF Board Schematic - Sheet 7 of 7 .....	21

---

The **Force EZ™-C Series Electrosurgical Generator Service Manual** consists of two parts - the text (part 1 of 2) and this Schematics Supplement (part 2 of 2) which contains the schematics.

**Valleylab Part Number:** 1002836 (2 of 2)



Valleylab  
a division of Tyco Healthcare Group LP  
5920 Longbow Drive  
Boulder, Colorado 80301-3299

©2006 Valleylab All rights reserved.  
Printed in USA



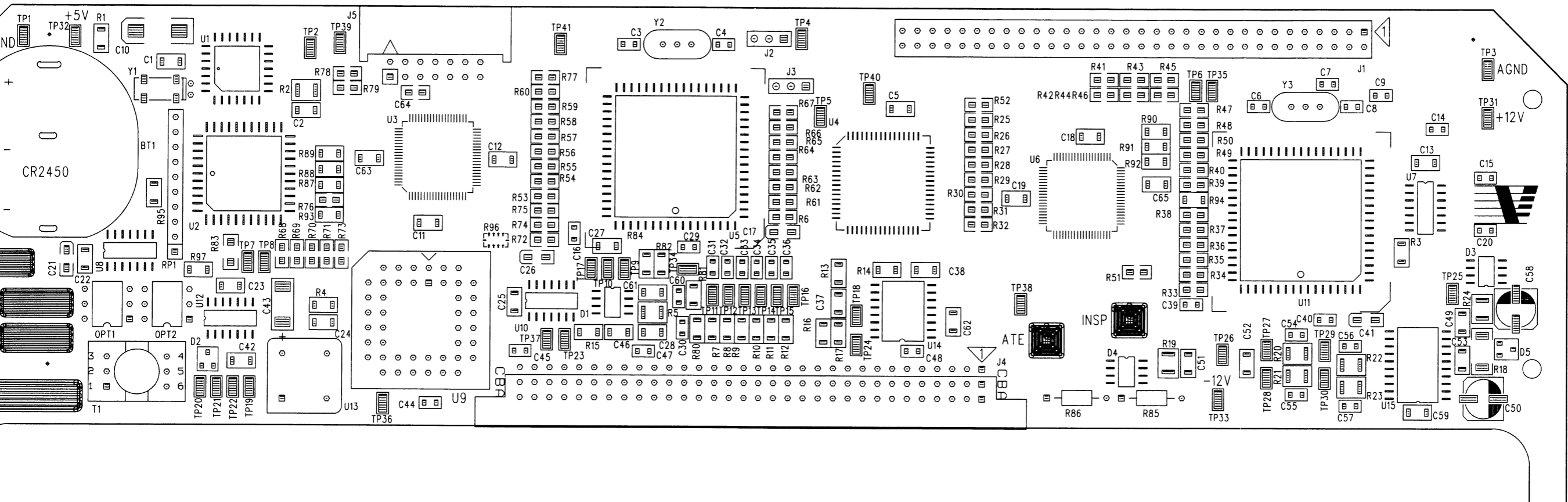


# Board Drawings and Schematics

This supplement contains the assembly drawings and schematics for the following printed circuit boards:

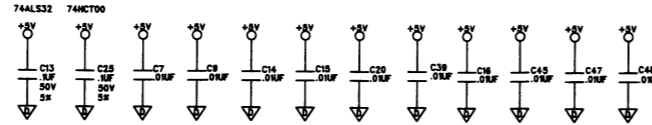
- Effect mode controller
- Display board
- Footswitch board
- Power Supply/RF board



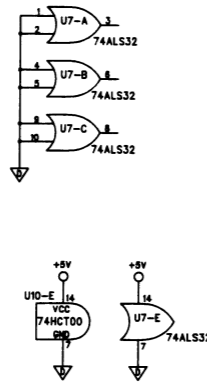


**Effect Mode Controller Assembly**

BYPASS CAPS :



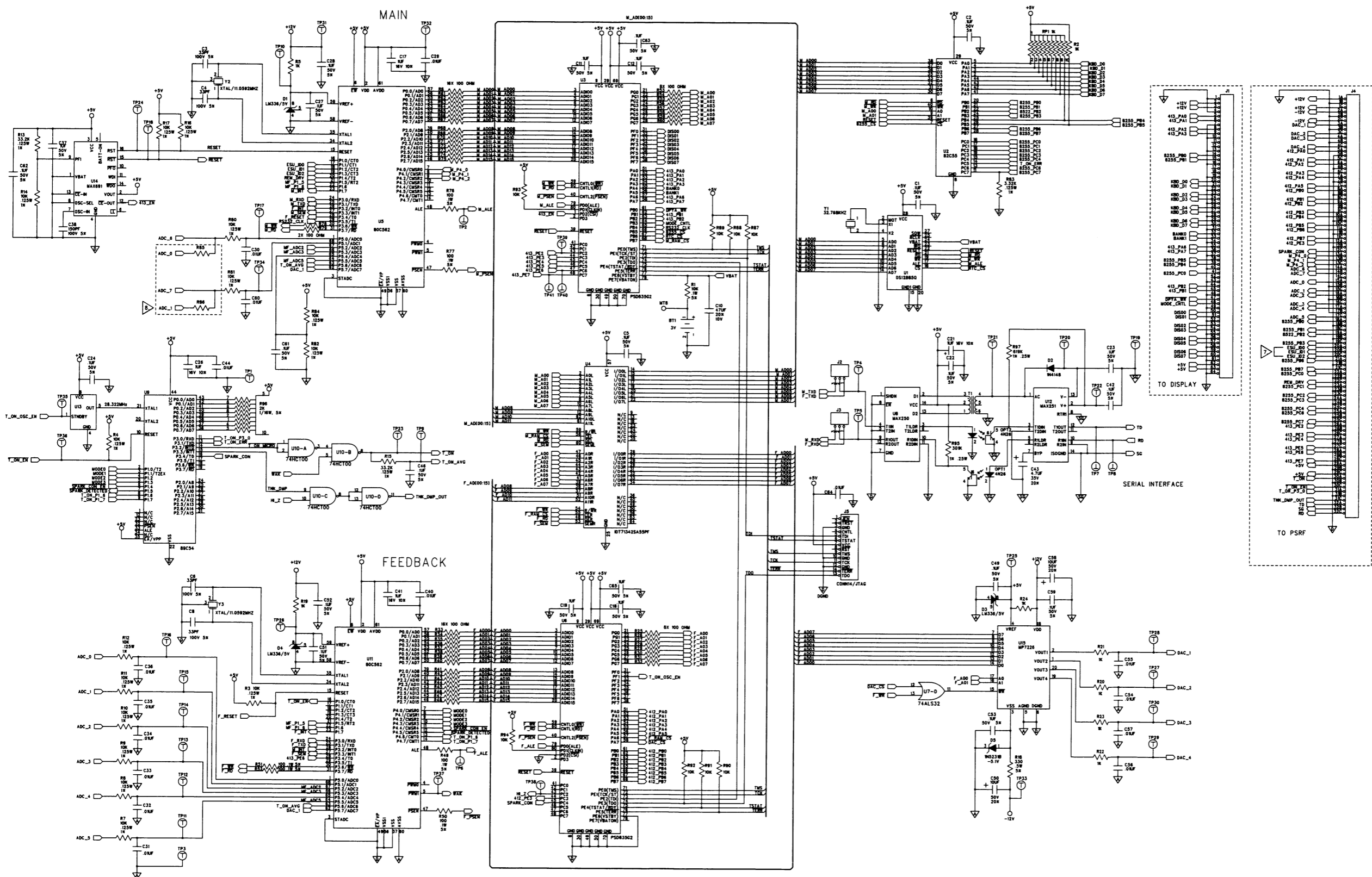
SPARES:



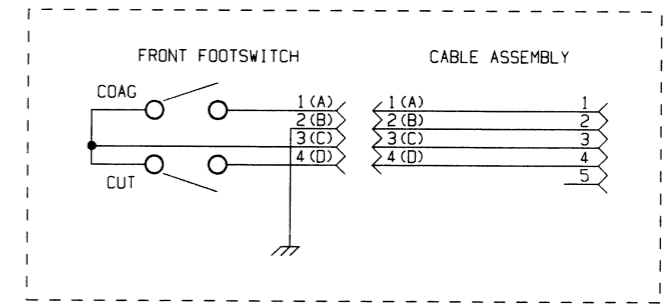
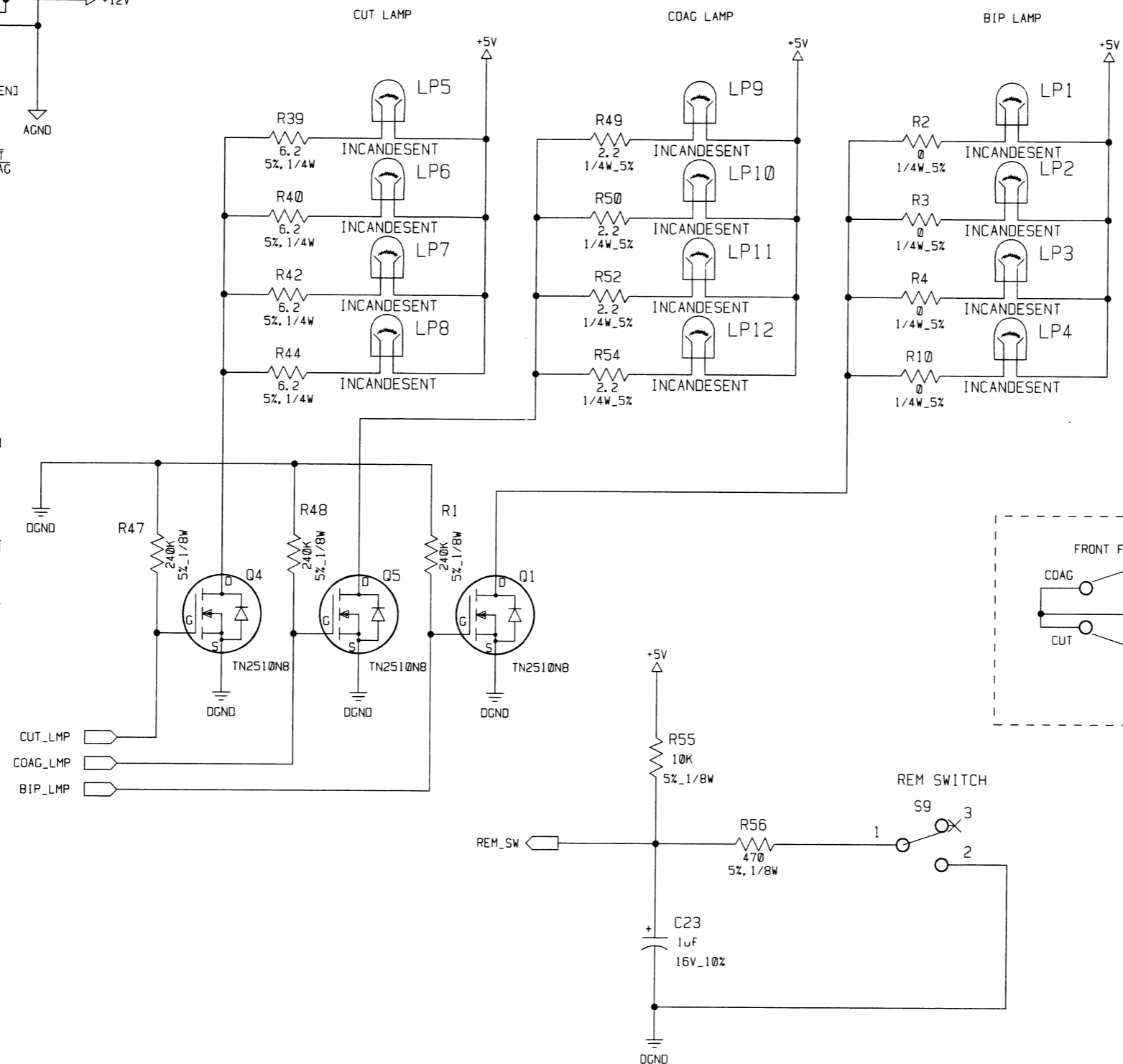
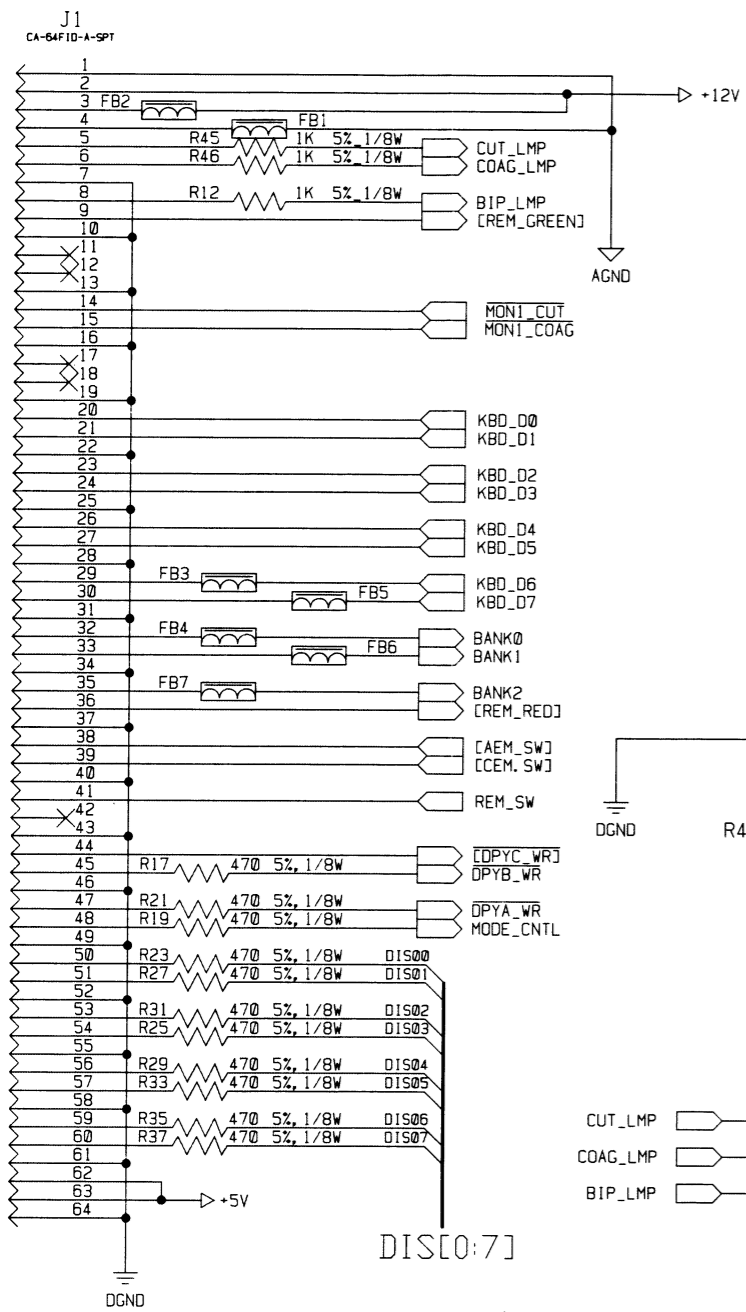
### SIGNAL CROSS-REFERENCE CHART

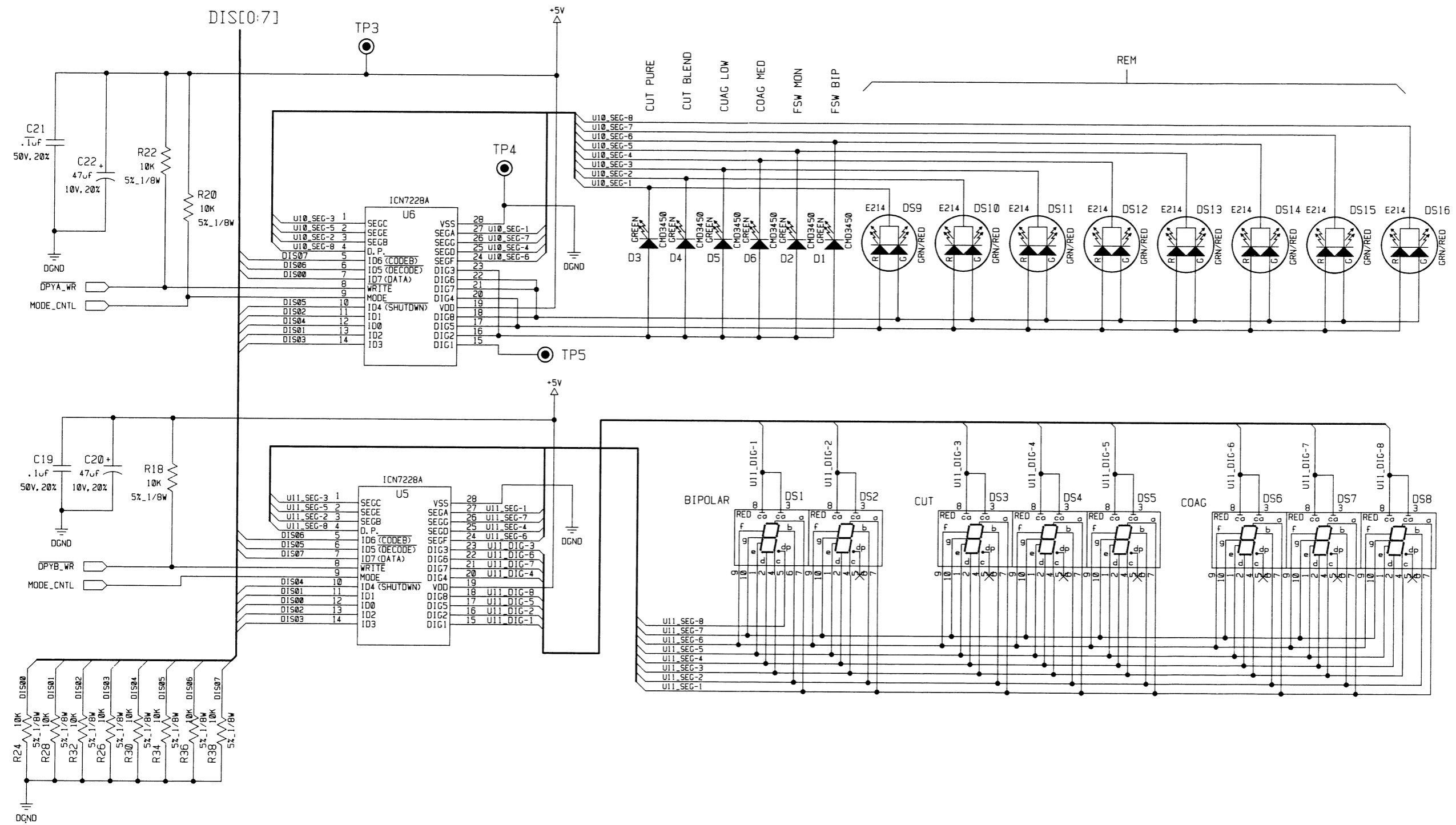
SIGNAL	PRODUCT	FEZ
M_P4_0 (U5)		REMPOT_INC\
M_P4_1 (U5)		REMPOT_U\D
M_P4_2 (U5)		REMPOT_CSIN
413_PA0 (U3)		CUT_LMP
413_PA1 (U3)		COAG_LMP
413_PA2 (U3)		BIP_LMP
413_PA3 (U3)		REM_GREEN
413_PA5 (U3)		BANK1
413_PA6 (U3)		BANK2
413_PA7 (U3)		REM_RED
413_PB1 (U3)		_DPYB_WR
413_PB2 (U3)		_DPYC_WR
413_PE2 (U3)		_UPTONE
413_PE3 (U3)		_LGTONE
413_PE4 (U3)		ALARM
413_PE5 (U3)		REM_EN
413_PE6 (U3 & U11)		DOS_ERR\
413_PE7 (U3)		ISO_TST
412_PA0 (U6)		MON_RLY
412_PA1 (U6)		BIP_RLY
412_PA2 (U6)		MONO2_RLY
412_PA3 (U6)		MONO1_RLY
412_PA4 (U6)		CUT_RLY
412_PA5 (U6)		EKG_RLY
412_PB0 (U6)		V_RLY_0
412_PB1 (U6)		V_RLY_1
412_PB2 (U6)		V_RLY_2
412_PB3 (U6)		V_RLY_3
412_PB4 (U6)		I_RLY_0
412_PB5 (U6)		I_RLY_1
412_PB6 (U6)		I_RLY_2
412_PB7 (U6)		I_RLY_3
412_PE3 (U6)		CAP_RLY



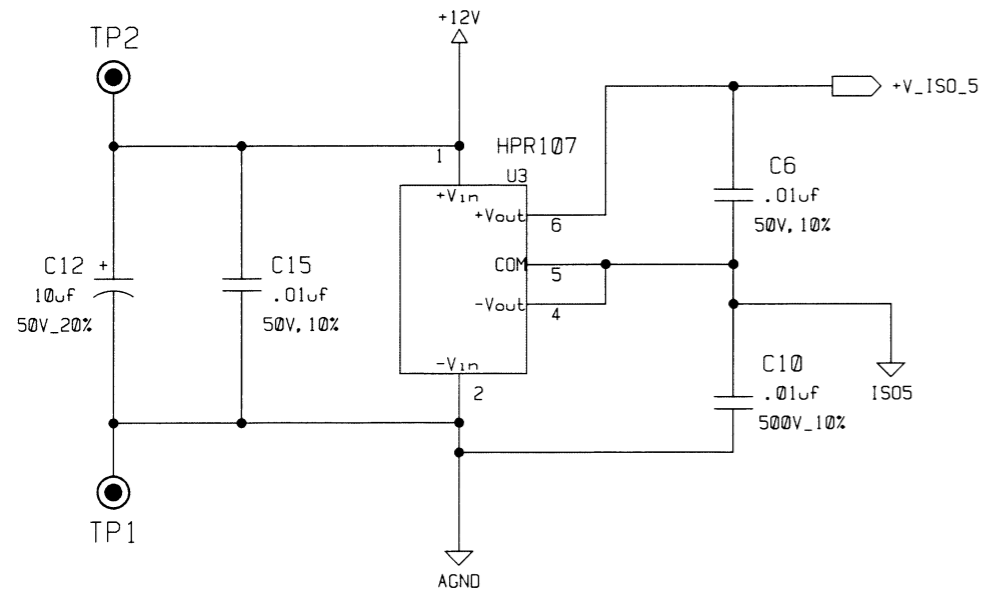
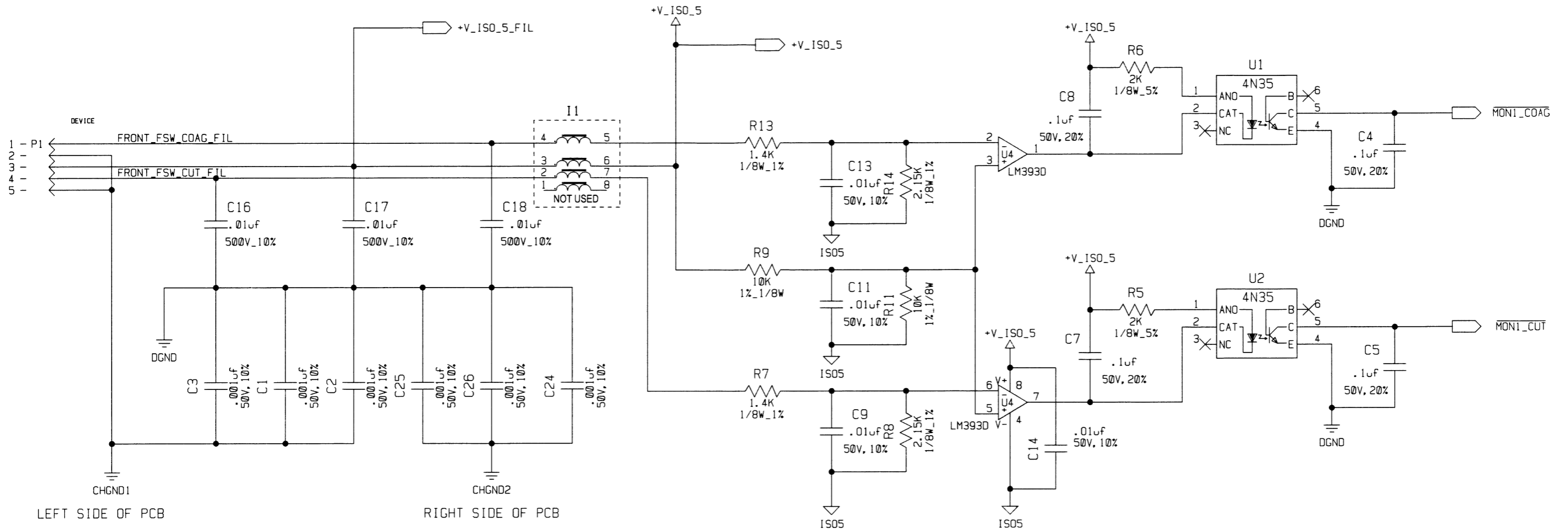


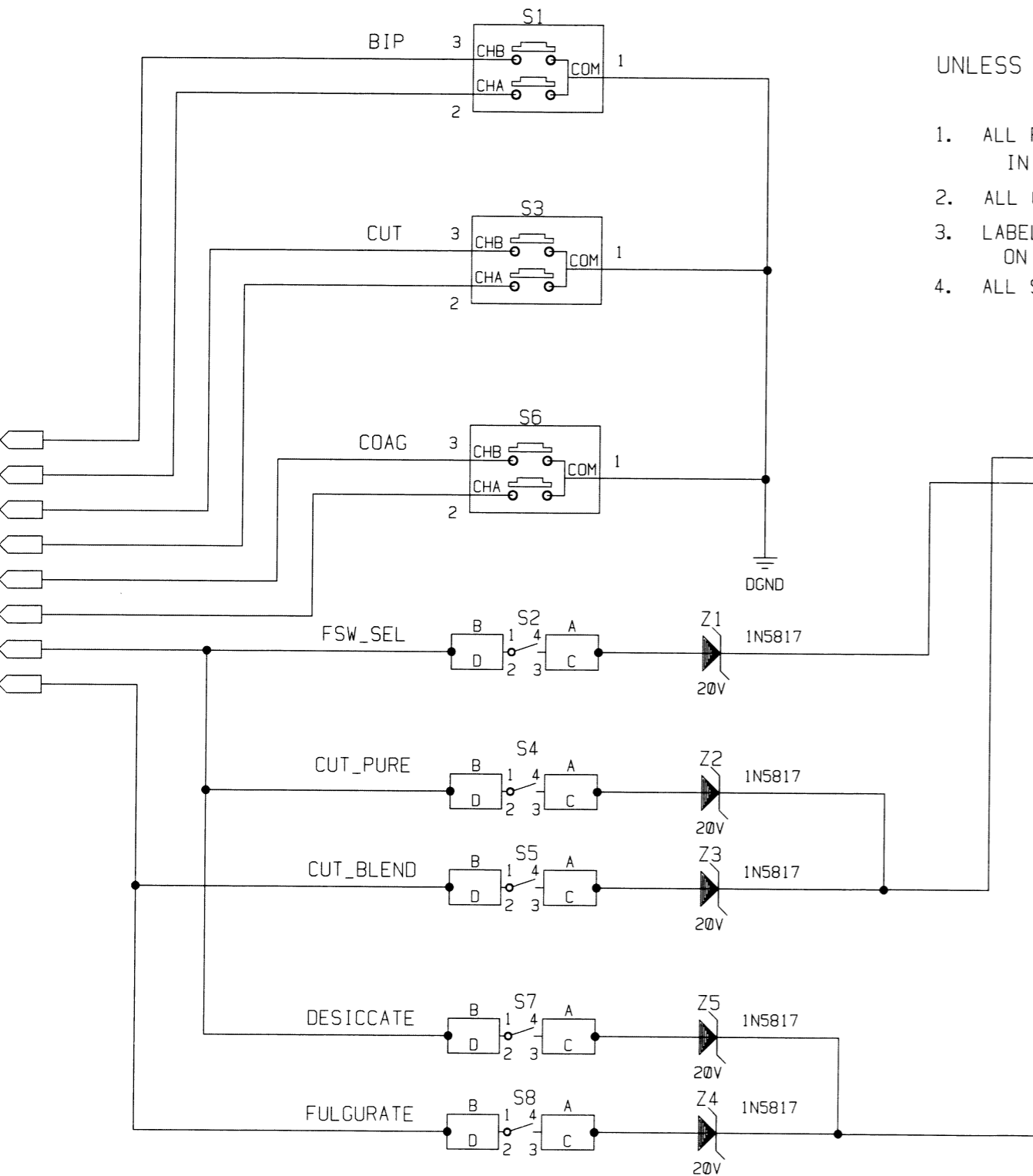
Effect Mode Controller - Sheet 2 of 2





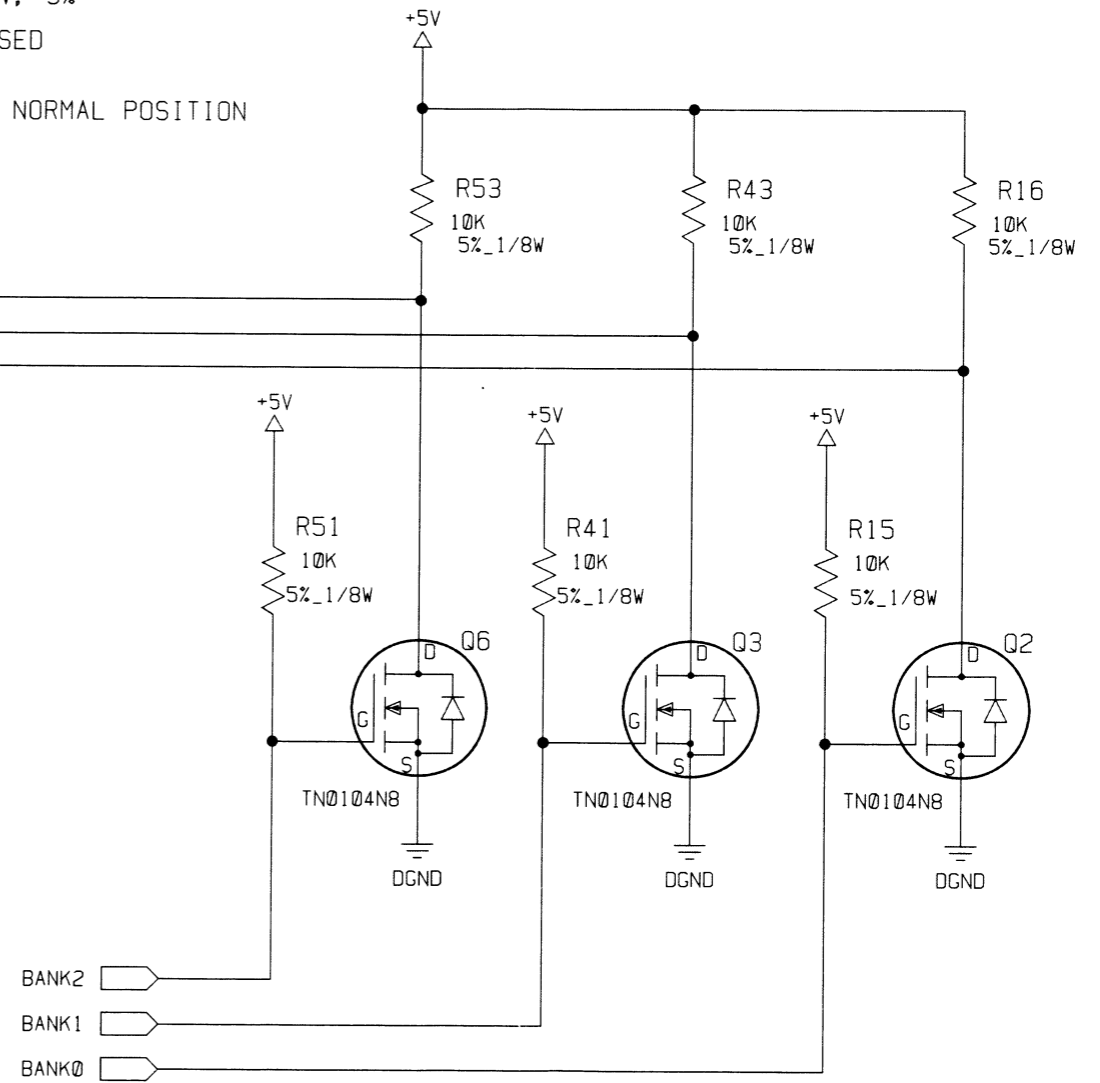
Display Board Schematic - Sheet 2 of 4



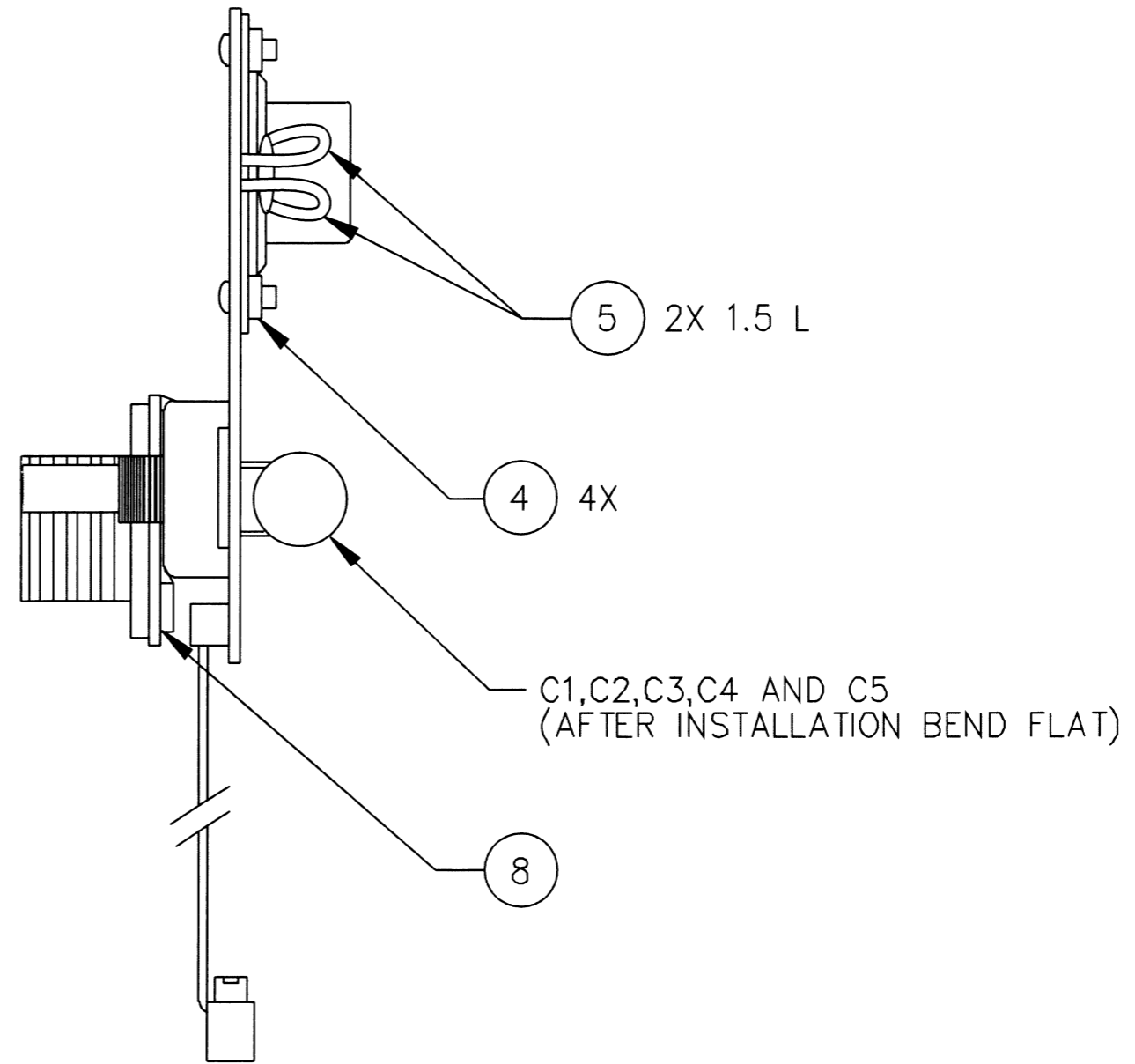
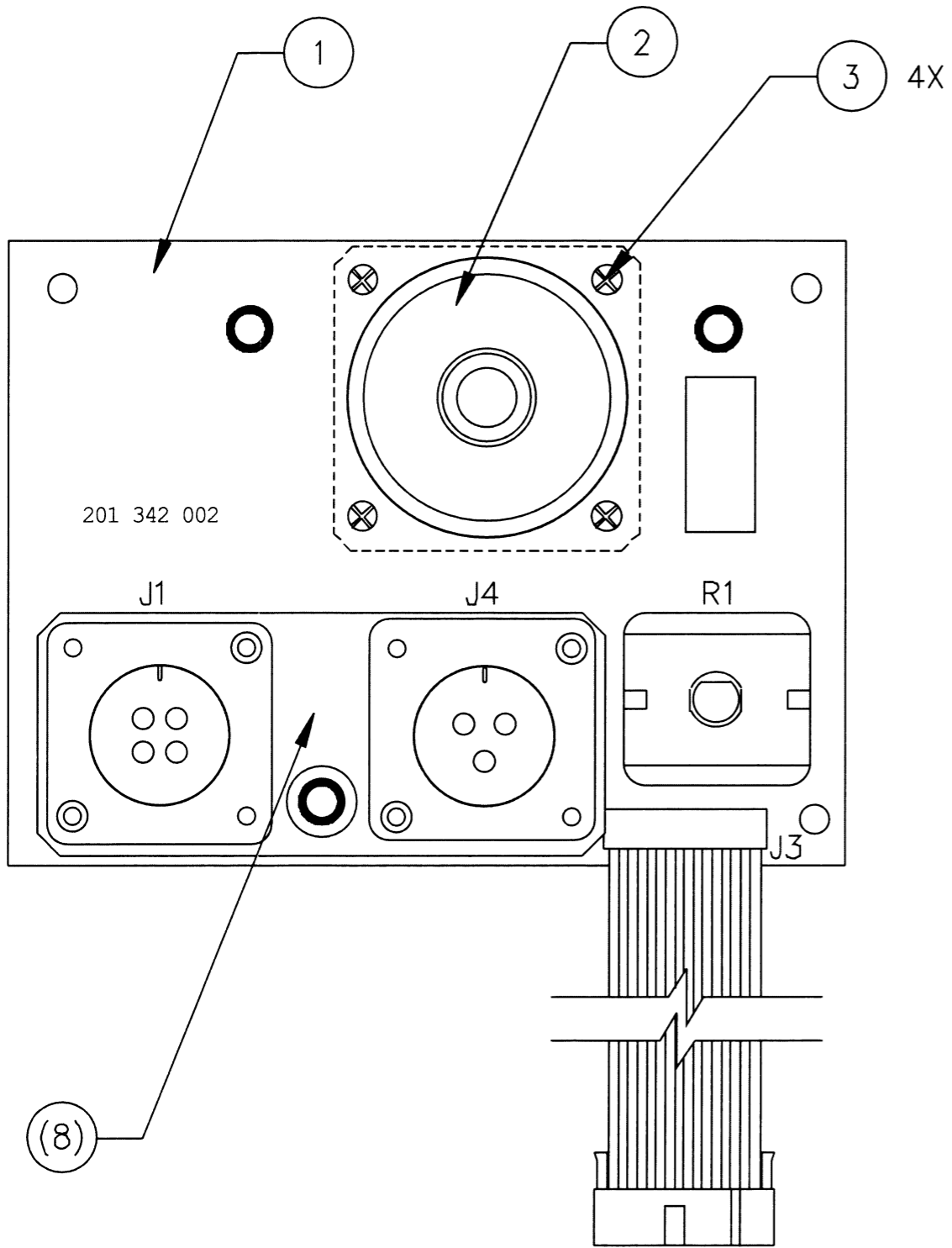


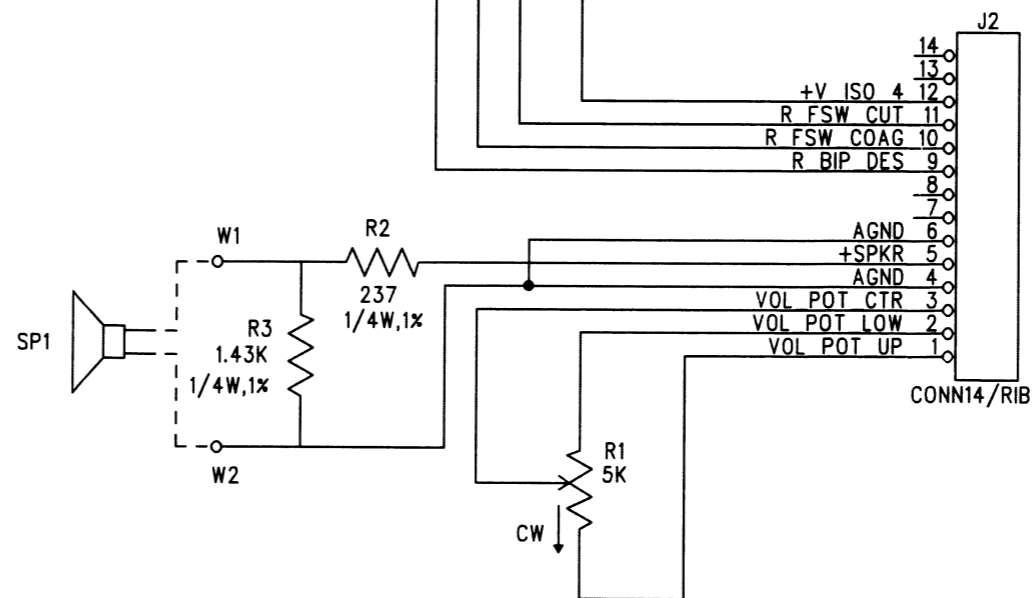
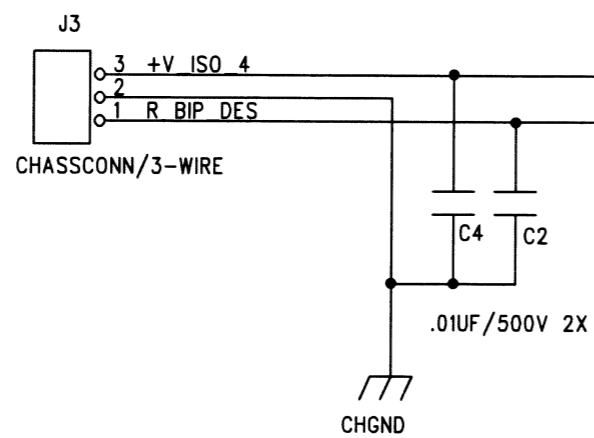
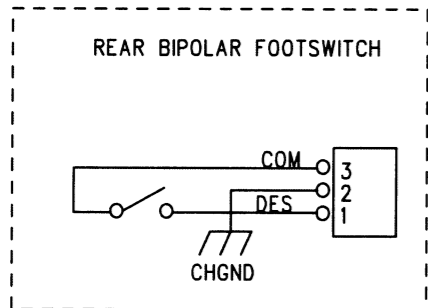
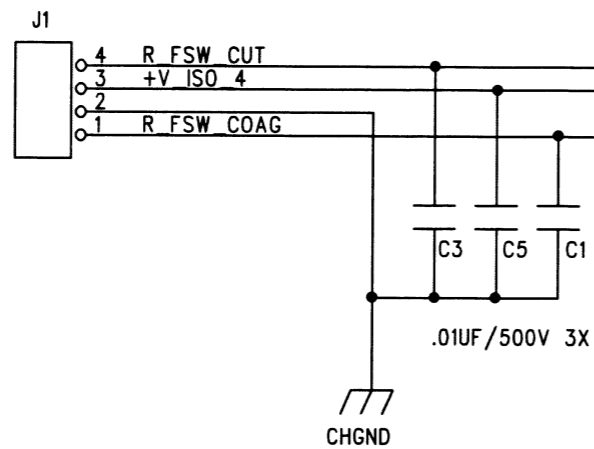
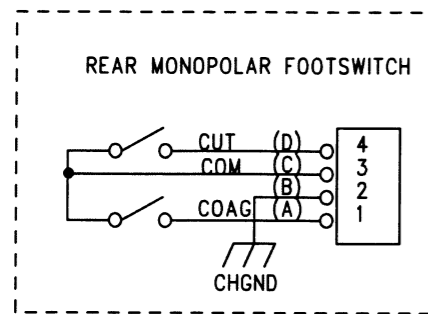
UNLESS OTHERWISE SPECIFIED:

1. ALL RESISTOR VALUES ARE IN OHMS, 1/8W, 5%
2. ALL CAPACITORS ARE 50V, 5%
3. LABELS IN [ ] ARE UNUSED ON THIS PCB
4. ALL SWITCHES SHOWN IN NORMAL POSITION

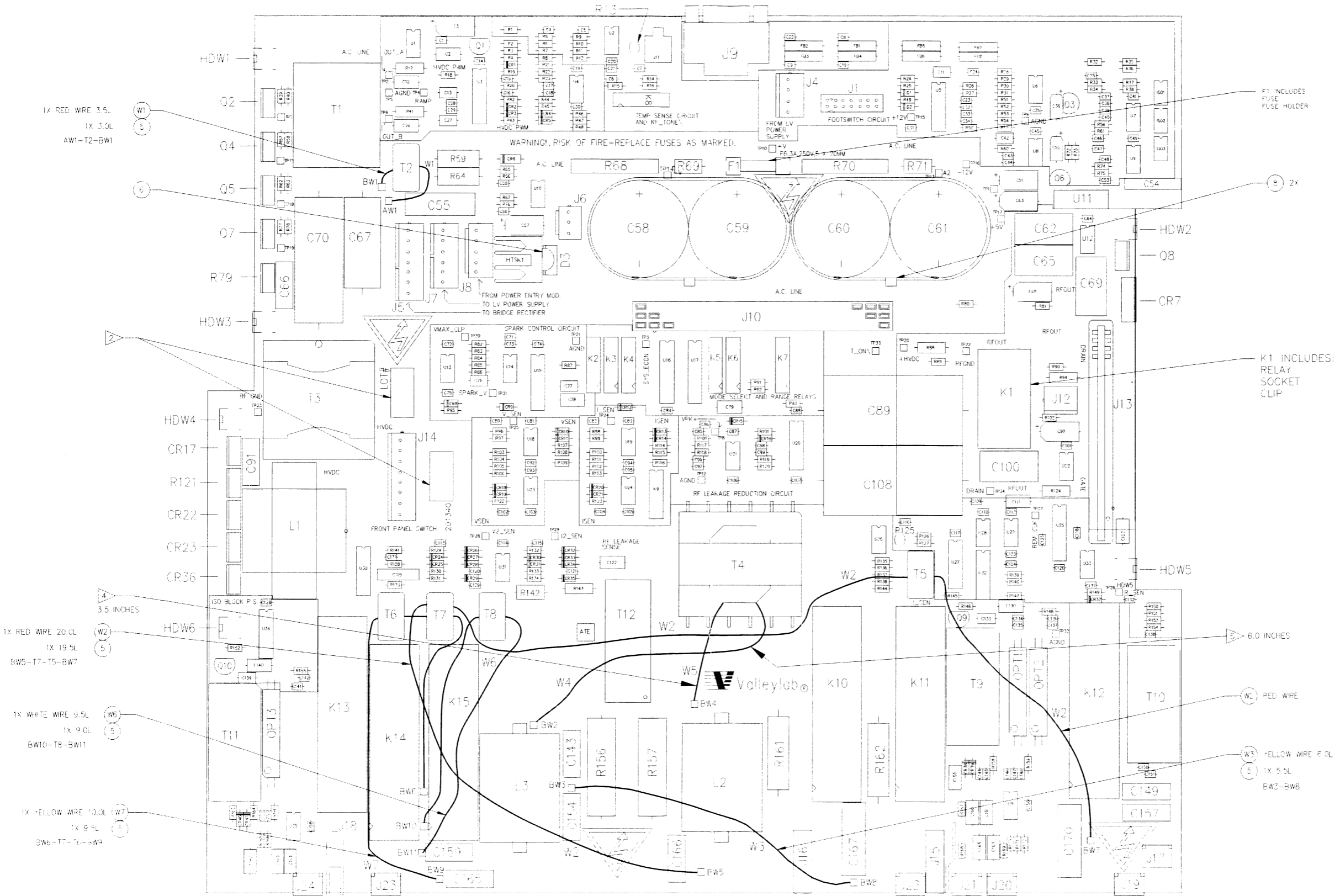


Display Board Schematic - Sheet 4 of 4





**Footswitch Board Schematic - Sheet 1 of 1**



1X RED WIRE 3.5L  
 1X 3.0L  
 AW1-T2-BW1

1X RED WIRE 20.0L  
 1X 19.5L  
 BW5-T7-T5-BW7

1X WHITE WIRE 9.5L  
 1X 9.0L  
 BW10-T8-BW11

1X YELLOW WIRE 10.0L  
 1X 9.5L  
 BW6-T7-T6-BW8

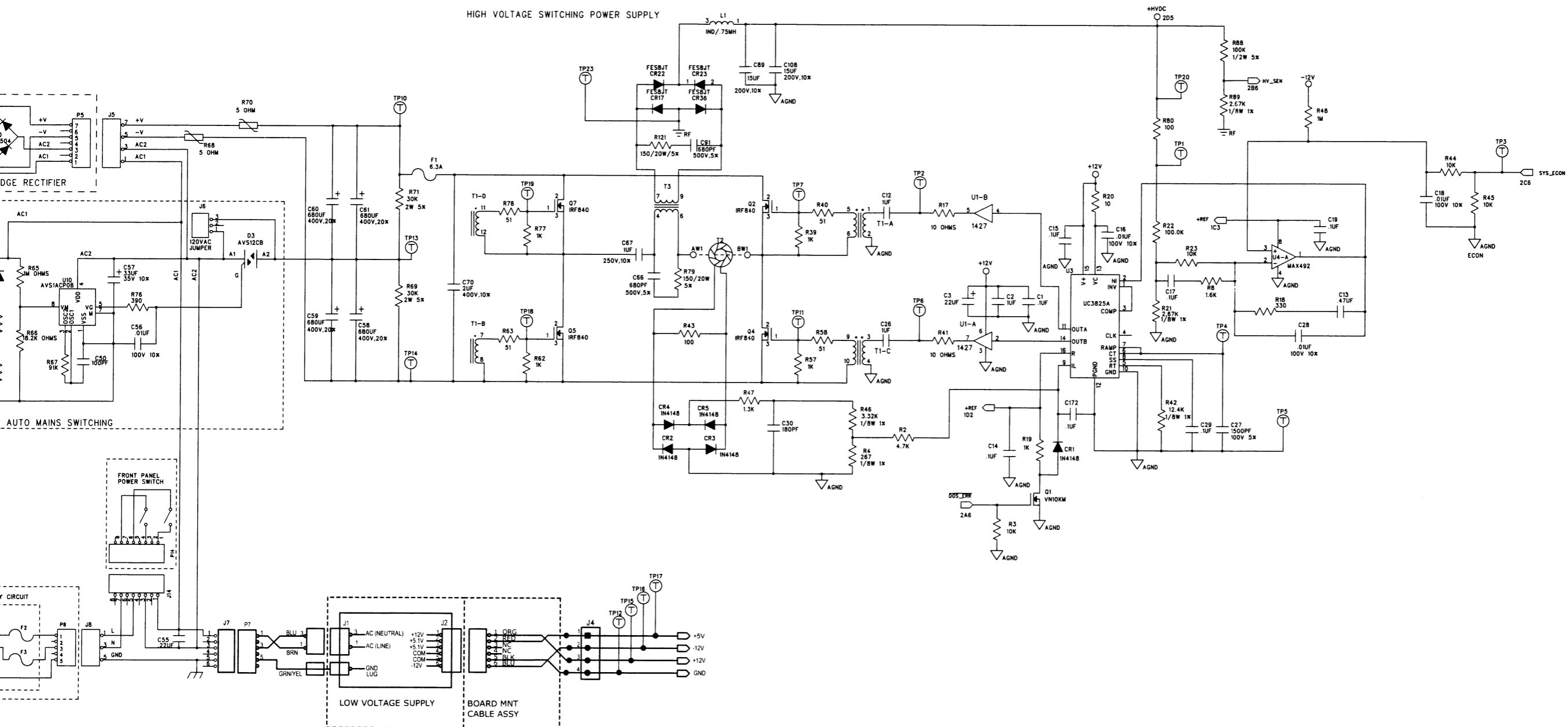
F1 INCLUDES FUSE HOLDER

K1 INCLUDES: RELAY SOCKET CLIP

W1 RED WIRE  
 W3 YELLOW WIRE 6.0L  
 1X 5.5L  
 BW3-BW6

Supply/RF Board Assembly



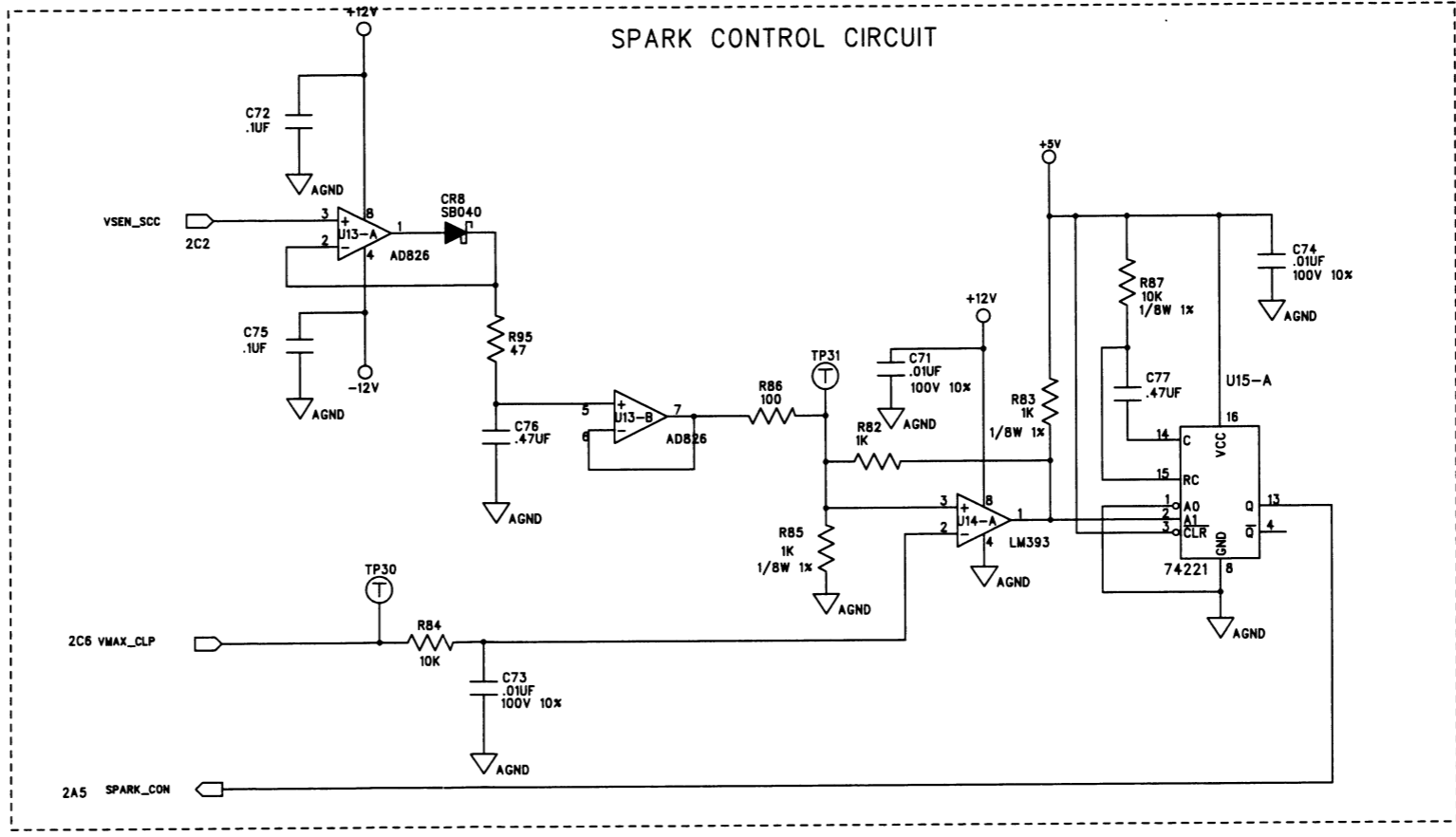
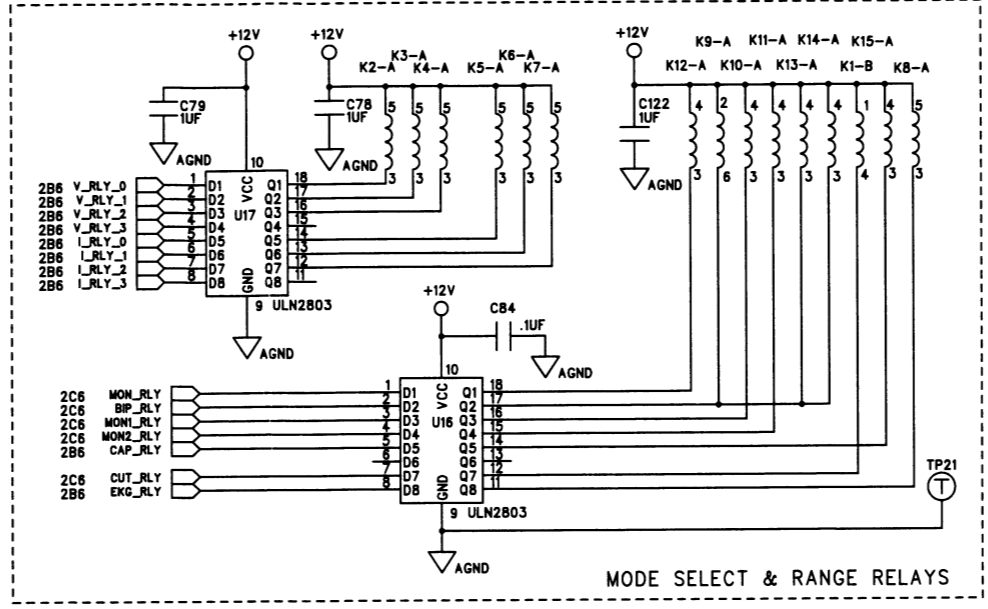
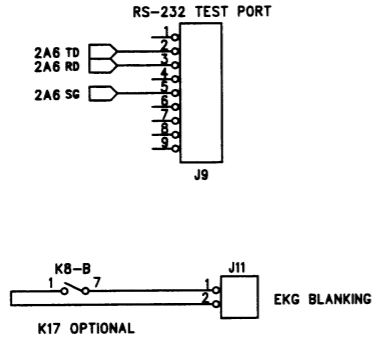
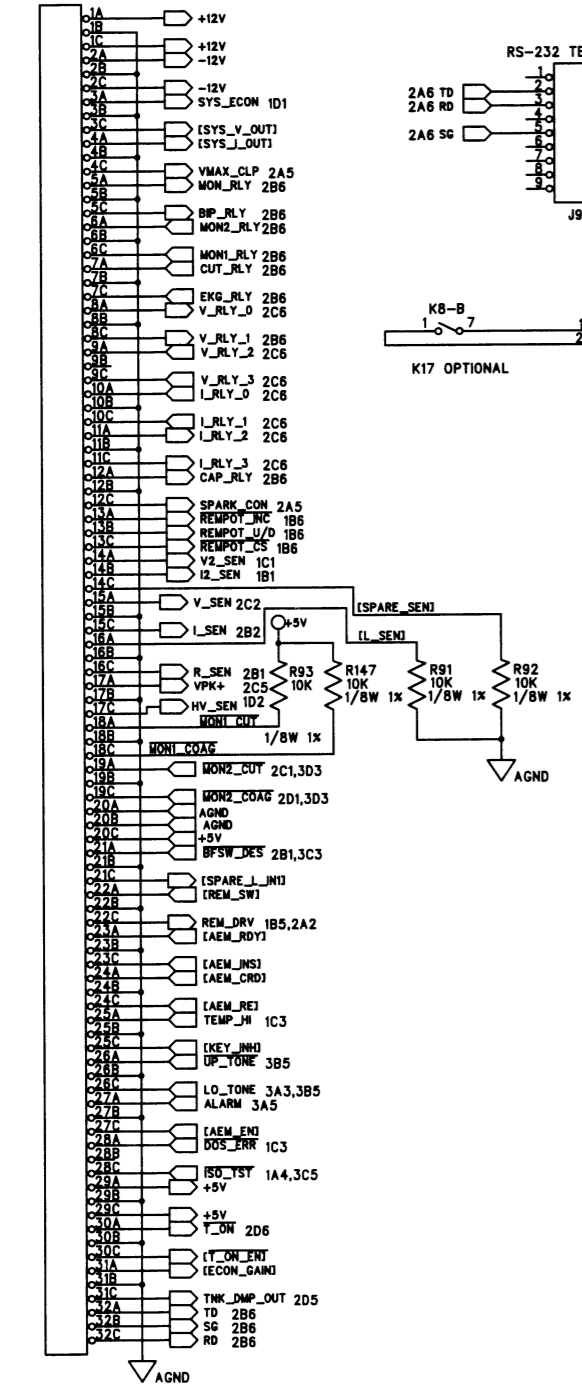


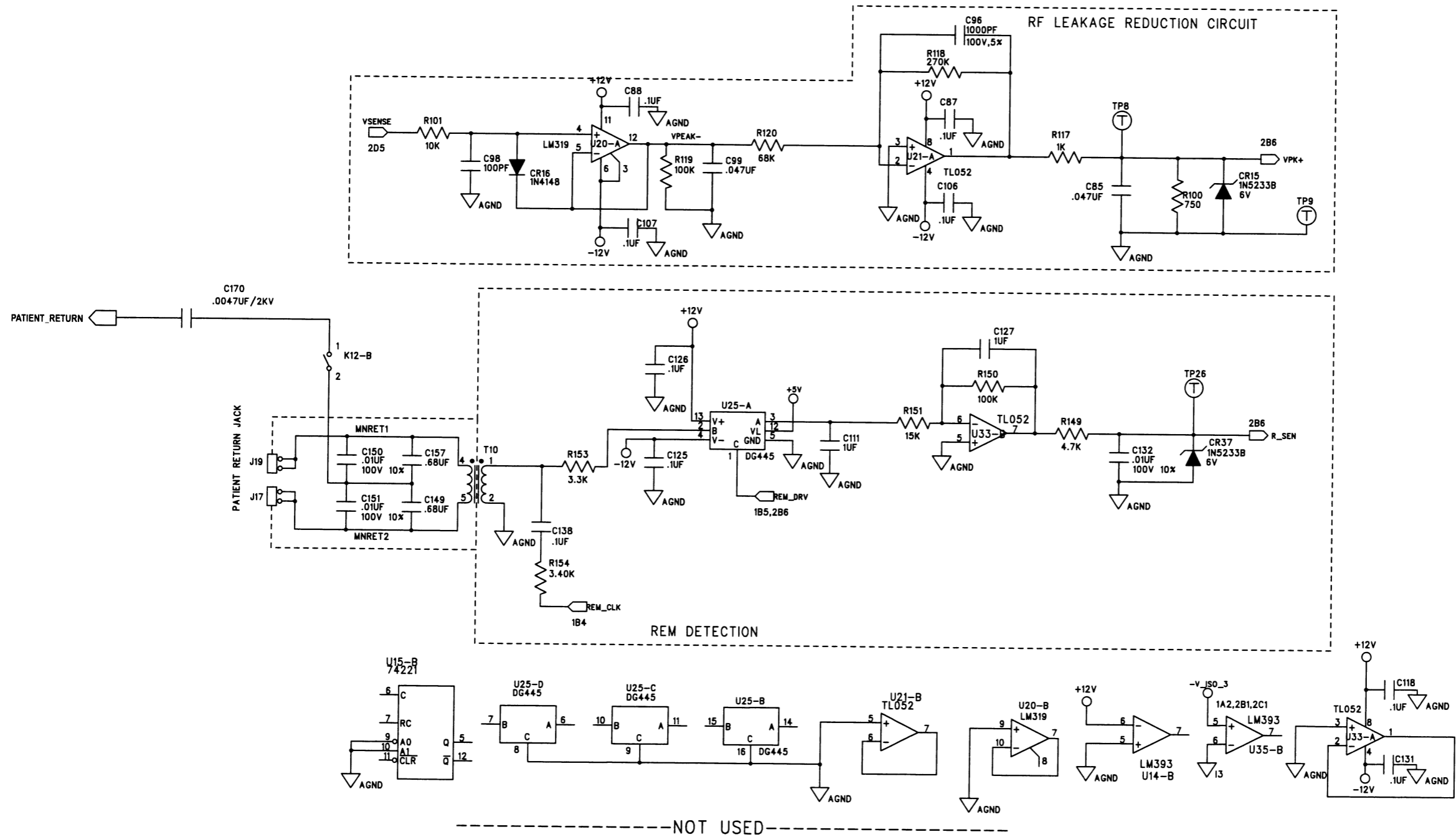
Power Supply/RF Board Schematic - Sheet 1 of 7





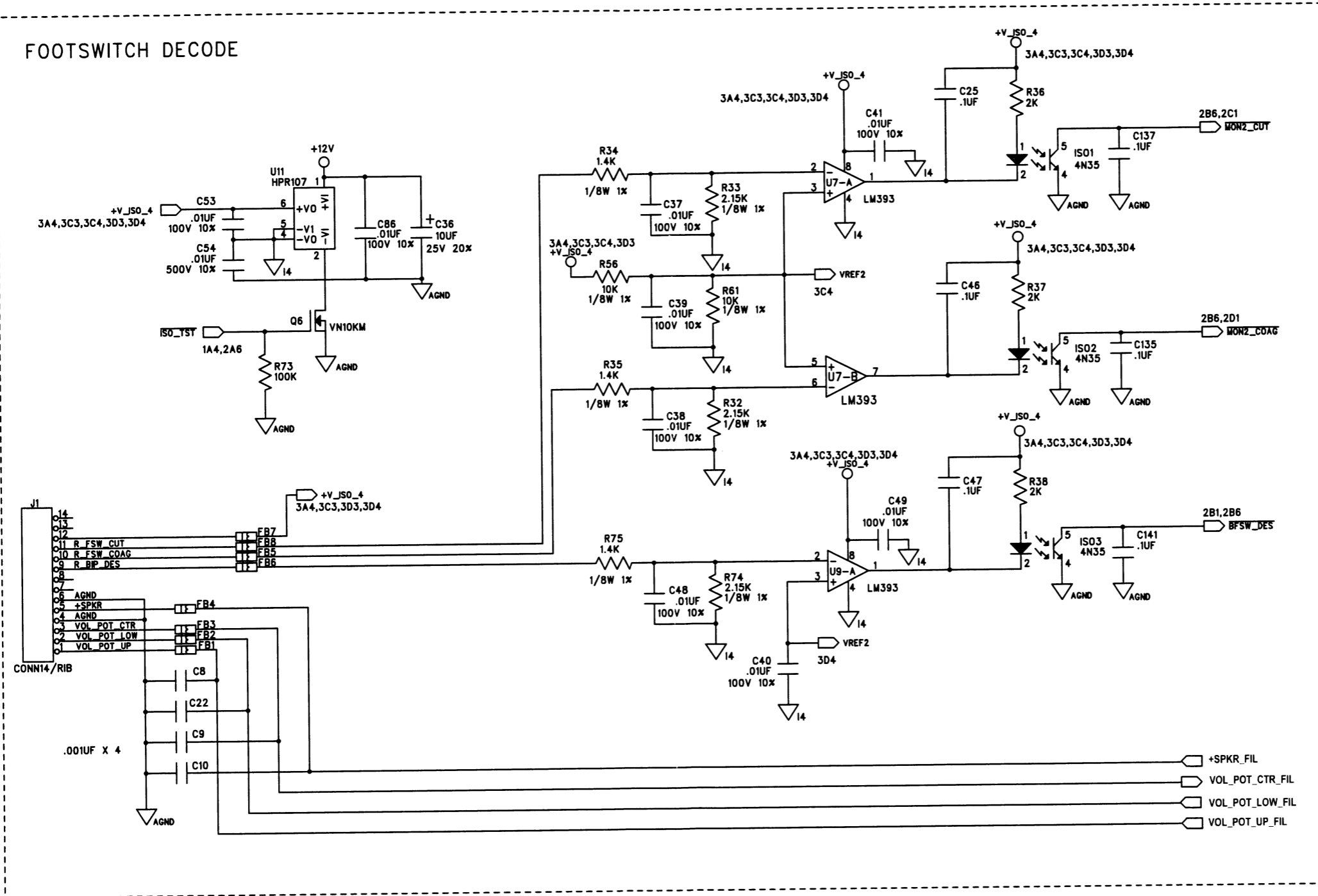
J10  
MICROPROCESSOR



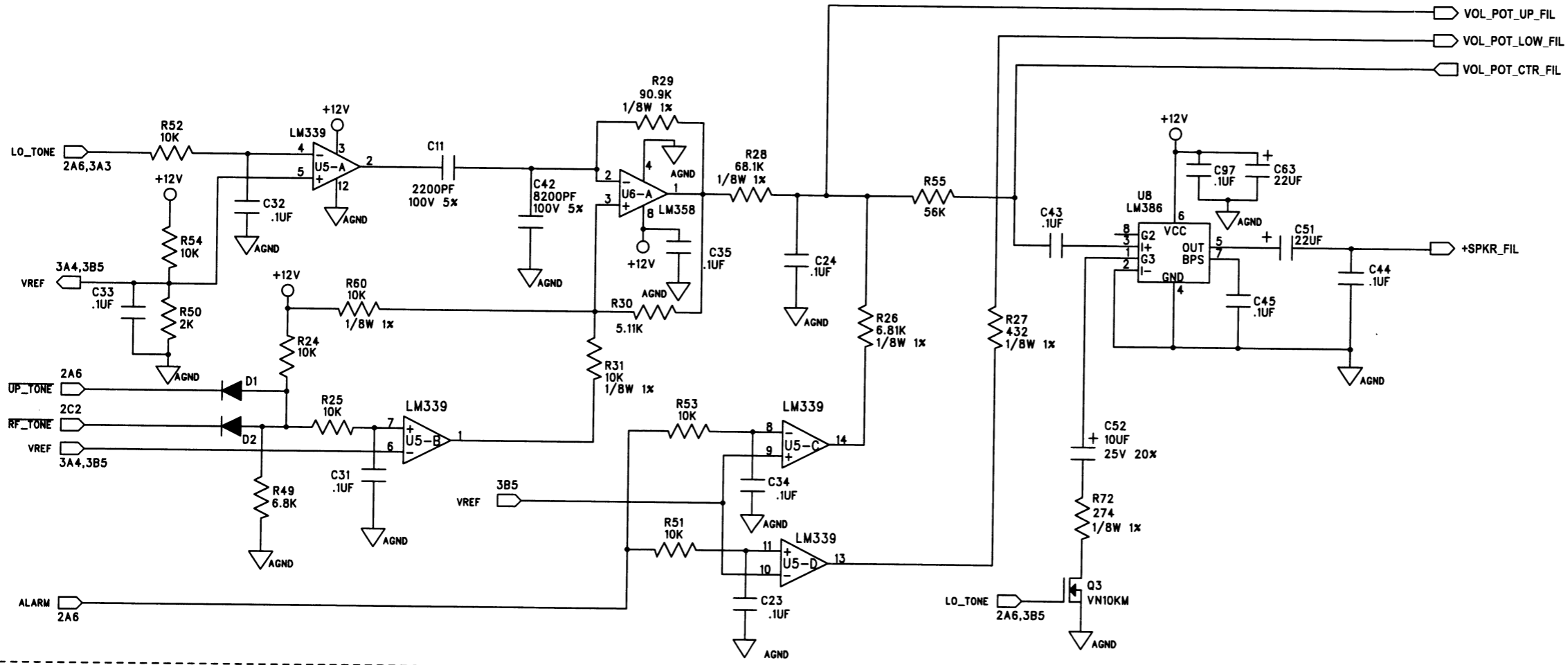


Power Supply/RF Board Schematic - Sheet 5 of 7

# FOOTSWITCH DECODE



AUDIO



-----NOT USED-----

