

The new Europe-autoclave Euroklav® 23-S uses an overpressure pulsing system. The appliance is ready for use as soon as the power supply has been connected, without any additional installation. These instructions contain important information about optional connections for one-way feed water operation and external water purification. Please read them carefully before and during installation.

1. General features

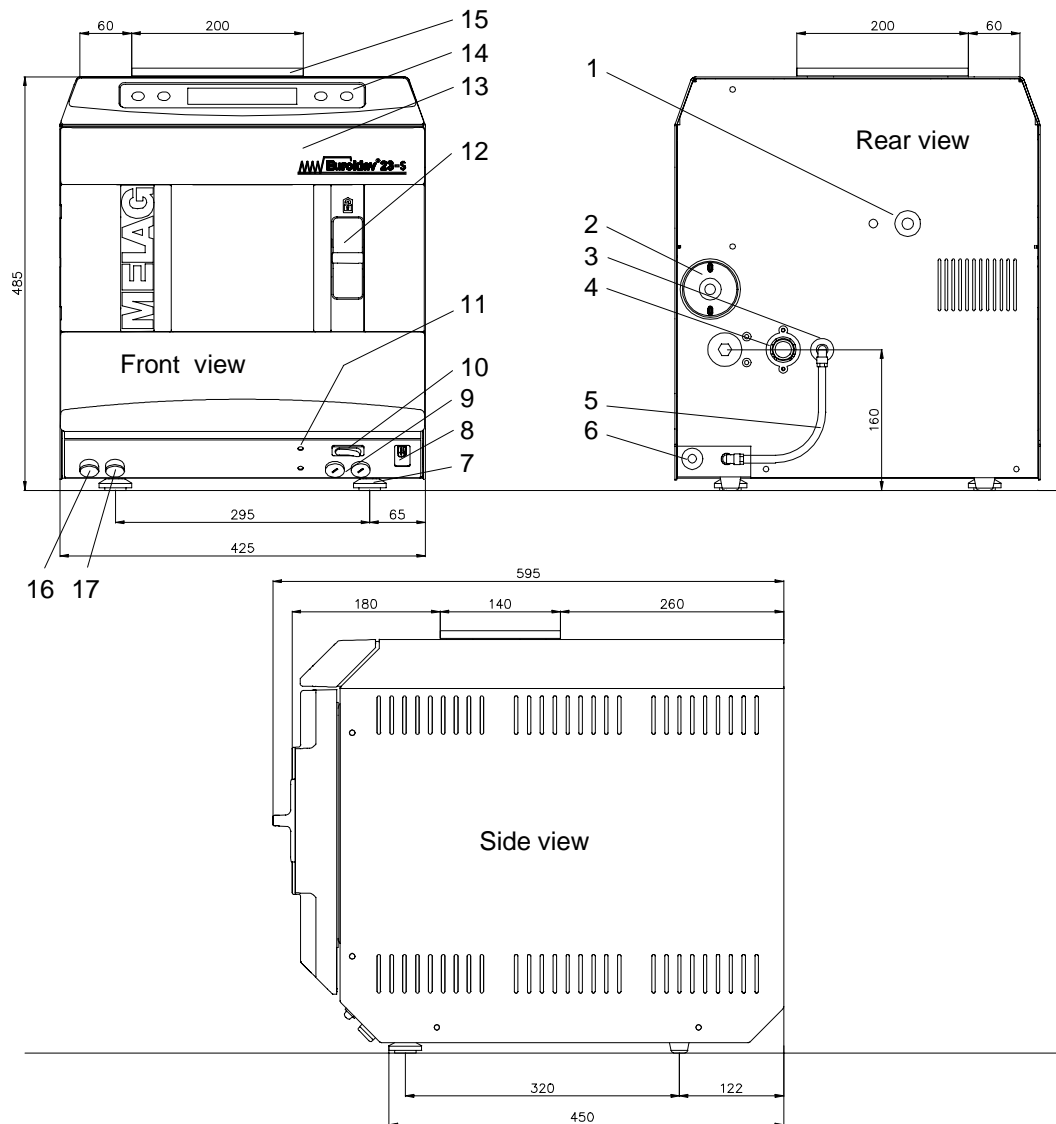


Figure 1

- | | |
|---|--|
| 1 Safety valve | 9 Main fuses - 2 x 16 A / FF |
| 2 Sterile filter | 10 Power switch |
| 3 Connection for internal demineralised/ distilled water supply | 11 Overheating protection switch for heating element |
| 4 One-way 3/4" water outlet | 12 Sliding door lock |
| 5 Tube connection for internal demineralised/distilled water supply | 13 Door (hinges on left) |
| 6 Power cord | 14 Operating- and display panel |
| 7 Adjustable front feet | 15 Tank lid |
| 8 Serial data port (RS 232) | 16 Drain waste water |
| | 17 Drain fresh water |

2. Installation requirements

Before setting up the Euroklav®23-S you should make sure that the following requirements are met:

The Euroklav®23-S is not designed to be installed in a cupboard or enclosed space. In order to ensure adequate ventilation, there should be at least 10 cm clearance to the sides (for dimensions see Fig. 1), and clearance at the rear for connections. Above the autoclave there must be sufficient space to allow access to the built-in water storage tank.

If a MELAdem®47 or MELAdem®37 water demineralizer is also to be installed then sufficient room must also be allowed for this.

2.1 Horizontal surface:

A plane, horizontal surface is required which is sufficiently stable to support the autoclave (unloaded weight 40 kg).

2.2 Power supply

The power supply should be 230V, 50Hz, and 3000 VA, with a 16A fuse protection, optionally with a 30mA circuit breaker. The power cable supplied is 1.35 m long.

If the MELAprint®40 printer is also used, then an additional power socket will be required.

2.3 One-way-outlet:

Wastewater outflow is via a wall-mounted trap (DN 40 rating) or a double-chamber trap under a sink. Examples are shown on pages 3 and 4.

A 2 metre outlet connection pipe can be supplied on request (MELAG Art.-No. 36585).

The wastewater outlet should be at least 30 cm lower than the Euroklav®23-S and the connection pipe should not sag or be twisted, so that all water can drain away.

3. The supply with feed water (distilled or demineralized)

The Euroklav® 23-S can operate with a one-way water system, or a water circulation system (closed loop). The autoclave automatically withdraws the feed water it needs, either from the internal storage tank (which has to be refilled with purified water, e.g. from the MELAdest®65), or even more conveniently, by connecting the autoclave directly to a MELAdem®47 or MELAdem®37 water purifier. The feed water (for steam generation) must satisfy the purity requirements of German VDE 0510.

3.1 Internal supply - Example 1 - page 3, Fig. 2)

The Euroklav®23-S draws the purified water from the internal storage tank by the bridging pipe supplied.

3.2 Internal supply - Example 2 - page 3, Fig. 3)

The Euroklav®23-S draws the purified water from the internal storage tank by the bridging pipe supplied and the one-way outlet is connected to an outlet trap.

3.3 External supply - Example 3 - page 4, Fig. 4)

Connection of the water demineraliser MELAdem®37 with MELAjet®

The simplest installation is when the MELAdem®37 is connected directly to the mains water supply and can thus generate demineralised water from the normal water supply.

The MELAjet® is used to prepare instruments for sterilisation using purified water.

3.4 External supply - Example 4 - page 4, Fig. 5)

Connection to the reverse-osmosis water demineraliser MELAdem®47

The MELAdem®47 can be directly connected to the mains water supply.

Other water purifying systems providing feed water of suitable quality should only be connected after consulting with MELAG.

4. Fitted installation:

The Euroklav®23-S is not designed to be installed in a cupboard or enclosed space.

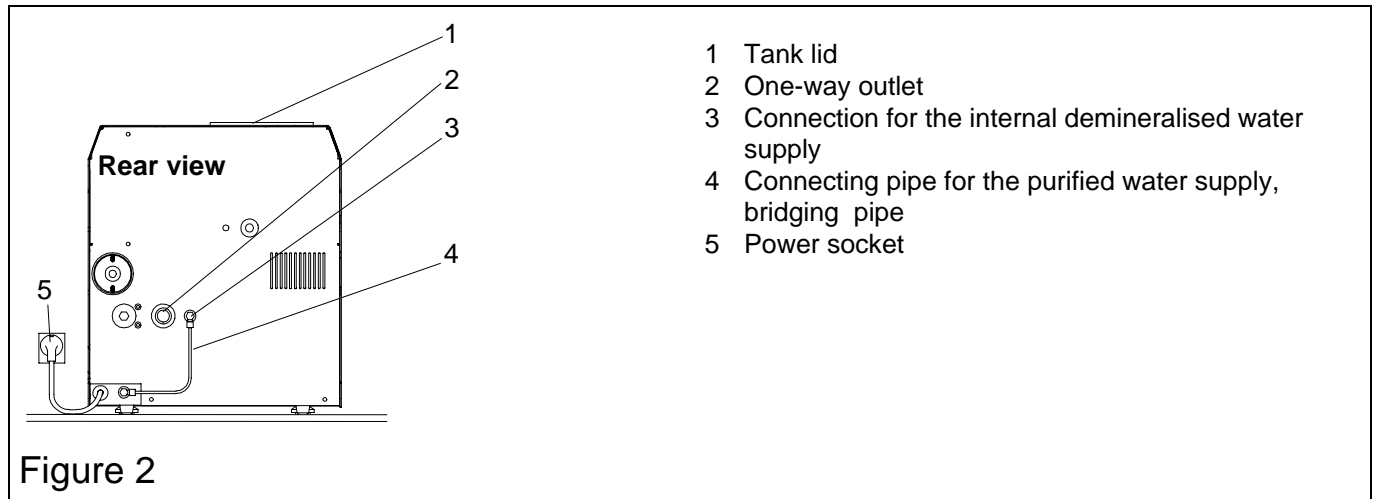
5. Installation material

The following articles can be ordered:

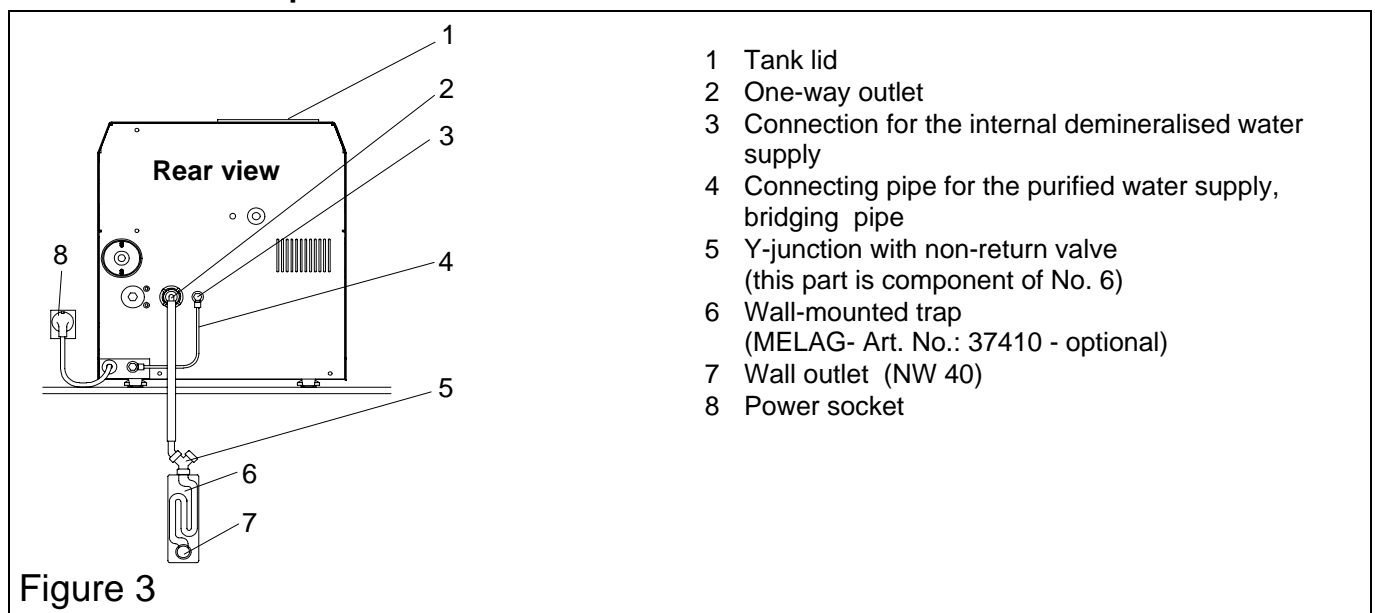
1 One-way-outlet tube (2 metre)	MELAG-Art.-No.: 36585
Wall outlet with Y-junction	MELAG Art.-No.: 37410
Y-junction with non-return valve for use with an existing trap	MELAG Art.-No.: 37400
3/4" water tap with security combination	MELAG Art.-No.: 37310
Additional stop cock with non-return valve and pipe-air release valve (to be attached to an existing corner valve)	MELAG Art.-No.: 58130
Leak detector with stop valve and sensor	MELAG-Art.-No.: 01056

6. Installation examples

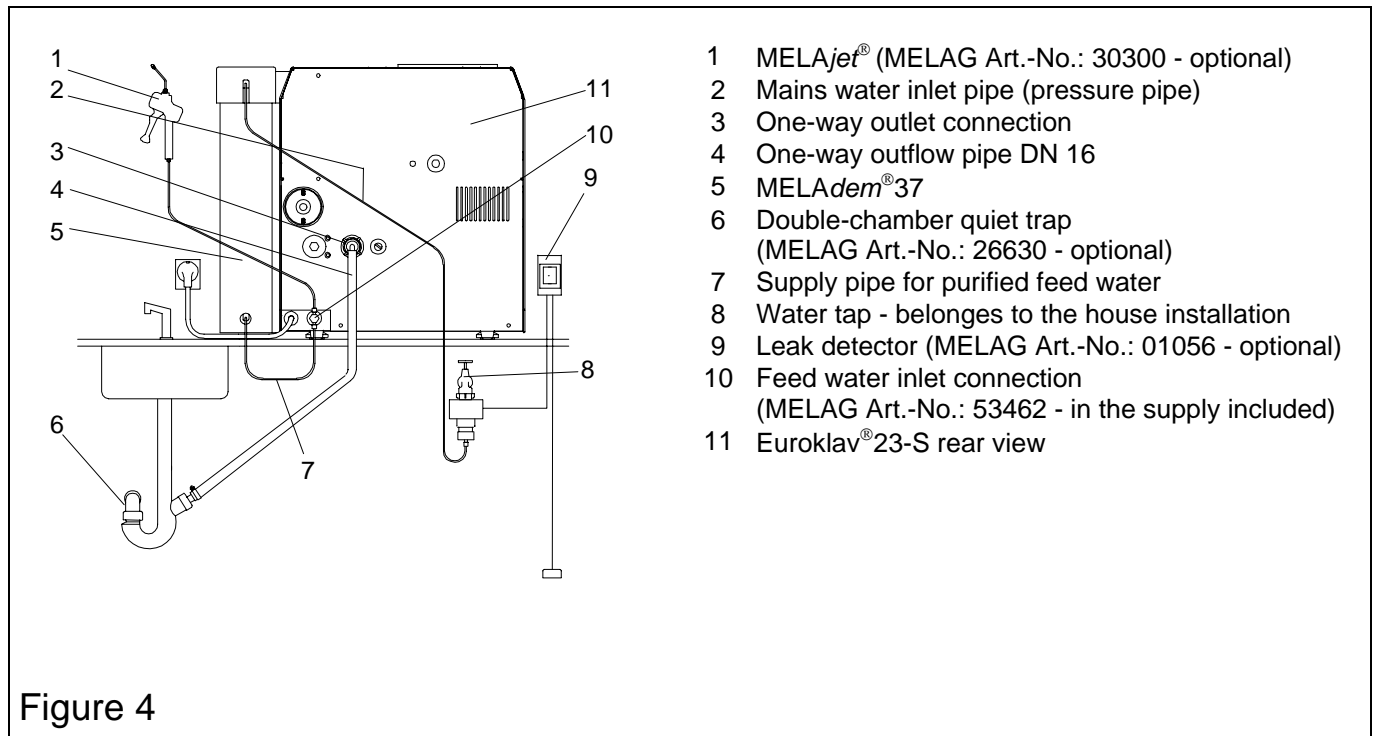
6.1 Example 1: Feed water from the internal storage tank



6.2 Example 2: Feed water from the internal storage tank and outflow via a wall-mounted trap

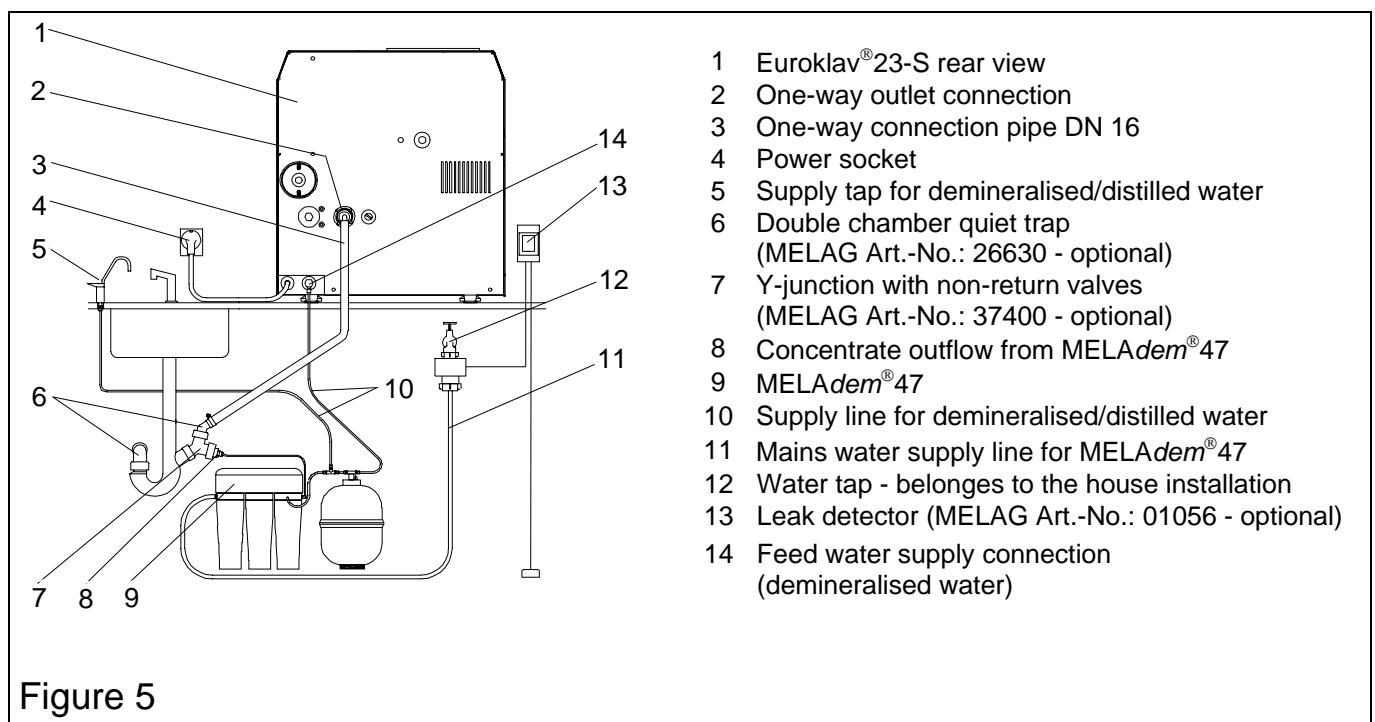


6.3 Example 3: The feed water is from the MELAdem[®]37 and the one-way outflow is connected to a trap



- 1 MELAjet[®] (MELAG Art.-No.: 30300 - optional)
- 2 Mains water inlet pipe (pressure pipe)
- 3 One-way outlet connection
- 4 One-way outflow pipe DN 7
- 5 MELAdem[®]37
- 6 Double-chamber quiet trap (MELAG Art.-No.: 26630 - optional)
- 7 Supply pipe for purified feed water
- 8 Water tap - belongs to the house installation
- 9 Leak detector (MELAG Art.-No.: 01056 - optional)
- 10 Feed water inlet connection (MELAG Art.-No.: 53462 - in the supply included)
- 11 Euroklav[®]23-S rear view

6.4 Example 4: The feed water is from the MELAdem[®]37 and the one-way outflow is connected to a trap



- 1 Euroklav[®]23-S rear view
- 2 One-way outlet connection
- 3 One-way connection pipe DN 16
- 4 Power socket
- 5 Supply tap for demineralised/distilled water
- 6 Double chamber quiet trap (MELAG Art.-No.: 26630 - optional)
- 7 Y-junction with non-return valves (MELAG Art.-No.: 37400 - optional)
- 8 Concentrate outflow from MELAdem[®]47
- 9 MELAdem[®]47
- 10 Supply line for demineralised/distilled water
- 11 Mains water supply line for MELAdem[®]47
- 12 Water tap - belongs to the house installation
- 13 Leak detector (MELAG Art.-No.: 01056 - optional)
- 14 Feed water supply connection (demineralised water)